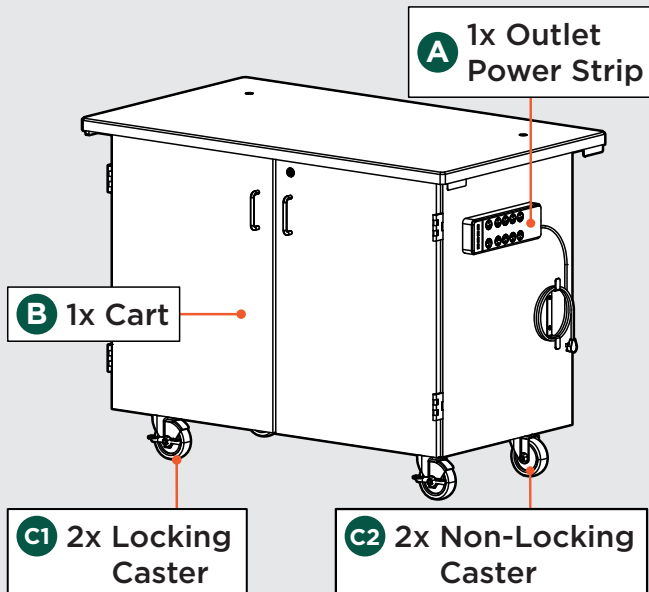


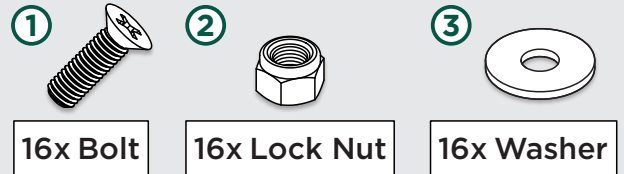
ASSEMBLY INSTRUCTIONS

MOBILE SCIENCE CART SERIES

MOBILE SCIENCE CART COMPONENTS



INCLUDED HARDWARE

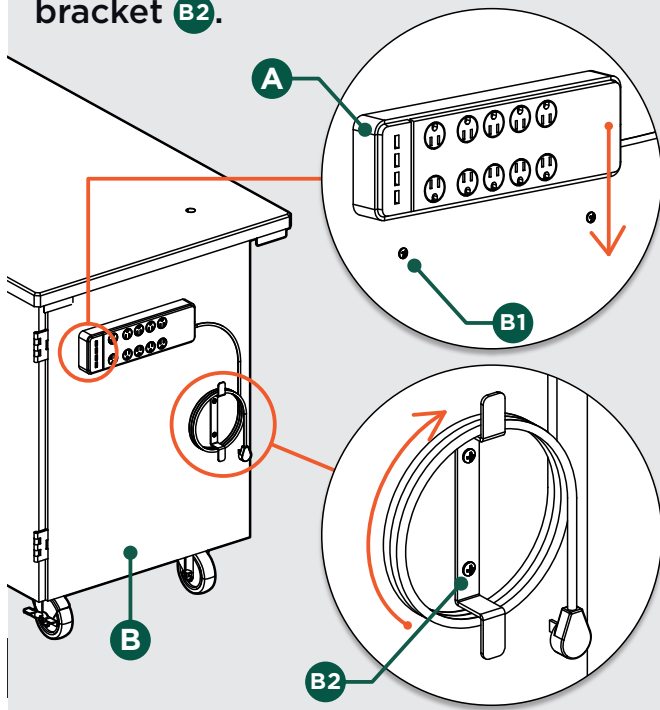


TOOLS FOR ASSEMBLY

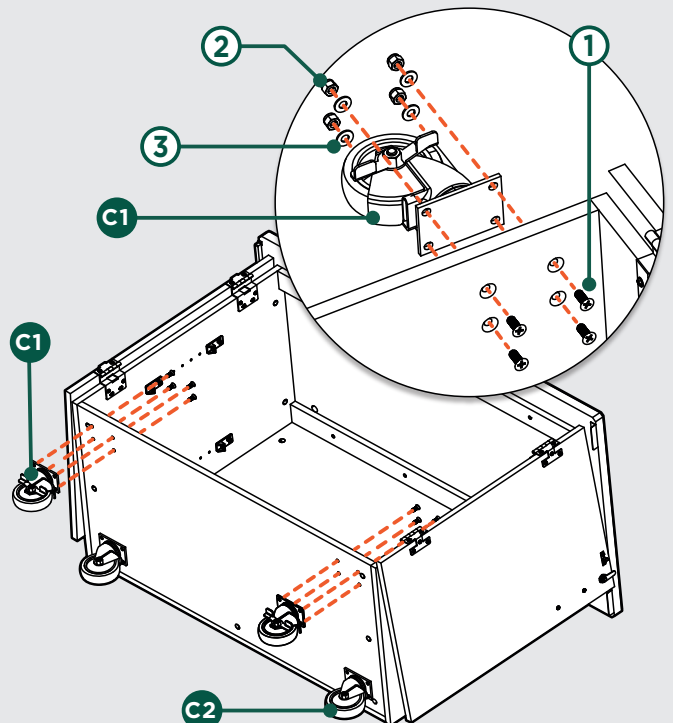


OUTLET POWER STRIP INSTALLATION ONLY APPLICABLE FOR CARTS MSC01, MSC02, MSC03 AND MSC06

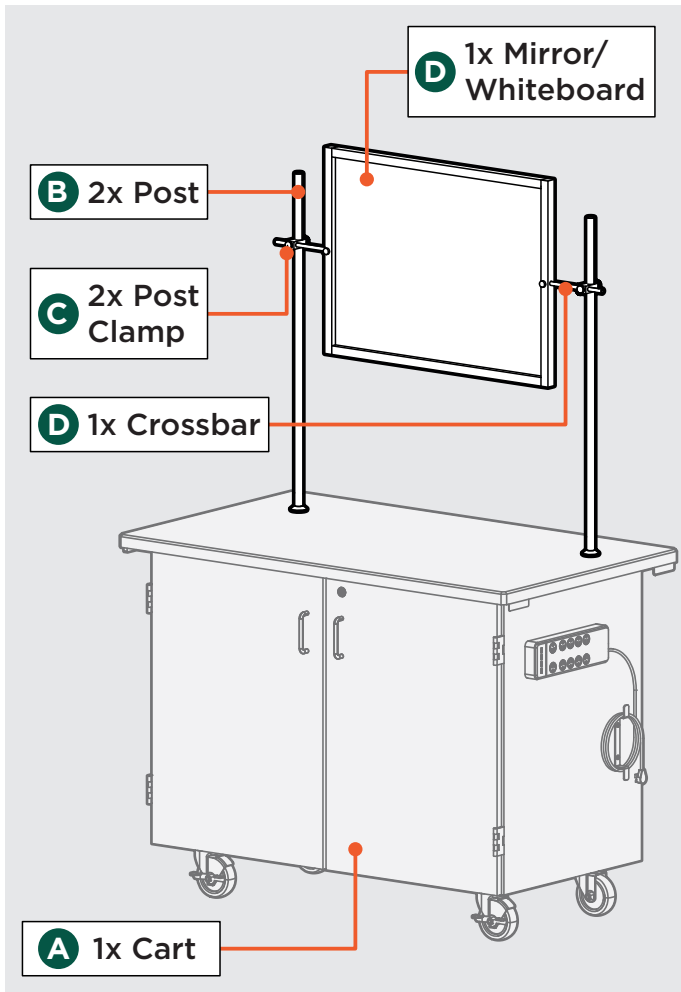
Slide the Outlet Power Strip **A** over the screws **B1** on the side of the cart **B**. Roll the cable onto the side bracket **B2**.



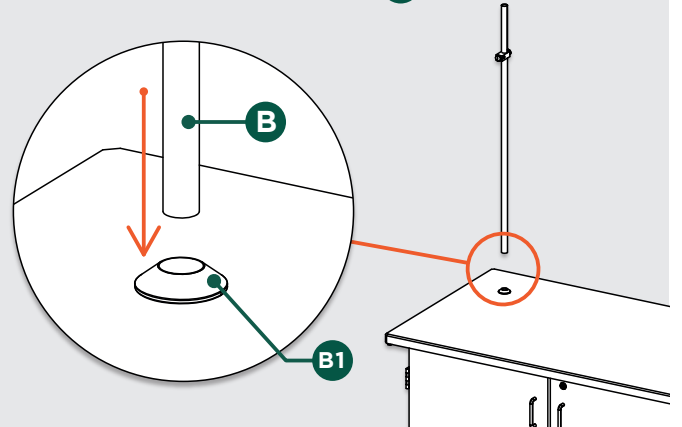
- 1 Lay the cabinet on its back on a clean surface. Remove shelves, drawers if necessary.
- 2 Secure each caster, with 2 Locking Casters **C1** at the front and 2 Non-Locking Casters **C2** at the rear, using 4 Bolts **1** from the inside and 4 Washers **3** and 4 Lock Nuts **2** from the outside.



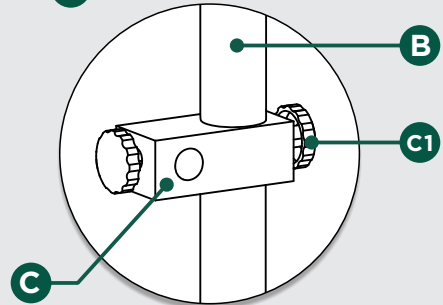
WHITEBOARD/MIRROR INSTALLATION - MSC01, MSC02, MSC03 AND MSC06



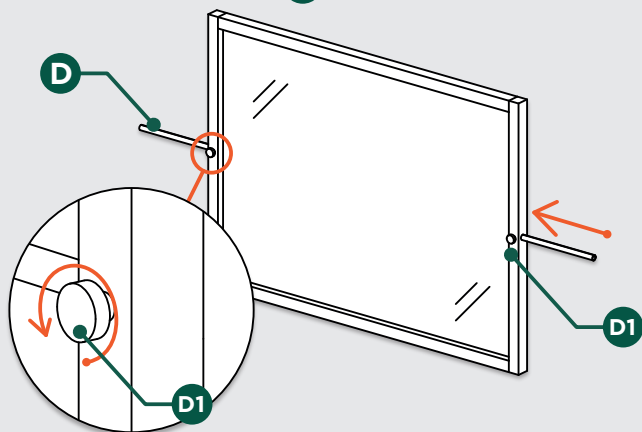
1 Insert tapered end of Posts **B** into tube sockets **B1**.



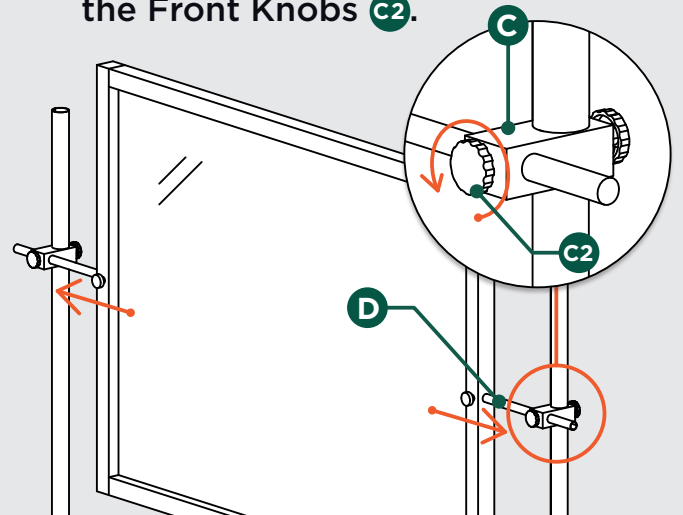
2 Tighten the Post Clamp **C** in the desired location using the Rear Knob **C1**.



3 Slide Crossbar **D** through holes on side of Whiteboard/Mirror frame. Adjust the desired angle with the Front Knobs **D1**.



4 Slide Crossbar **D** through holes of the Post Clamp **C**, tighten using the Front Knobs **C2**.



Congratulations, your Mobile Science Cart is now assembled and ready to be used!

Dear Customer, Thank you for your purchase. Although extreme care goes into manufacturing & packaging of this product, mistakes are possible. If you encounter any missing parts or difficulty in assembly, please contact our customer service Toll Free at 1-800-261-4112 or info@nationalpublicseating.com for courteous & immediate resolution to your problem.