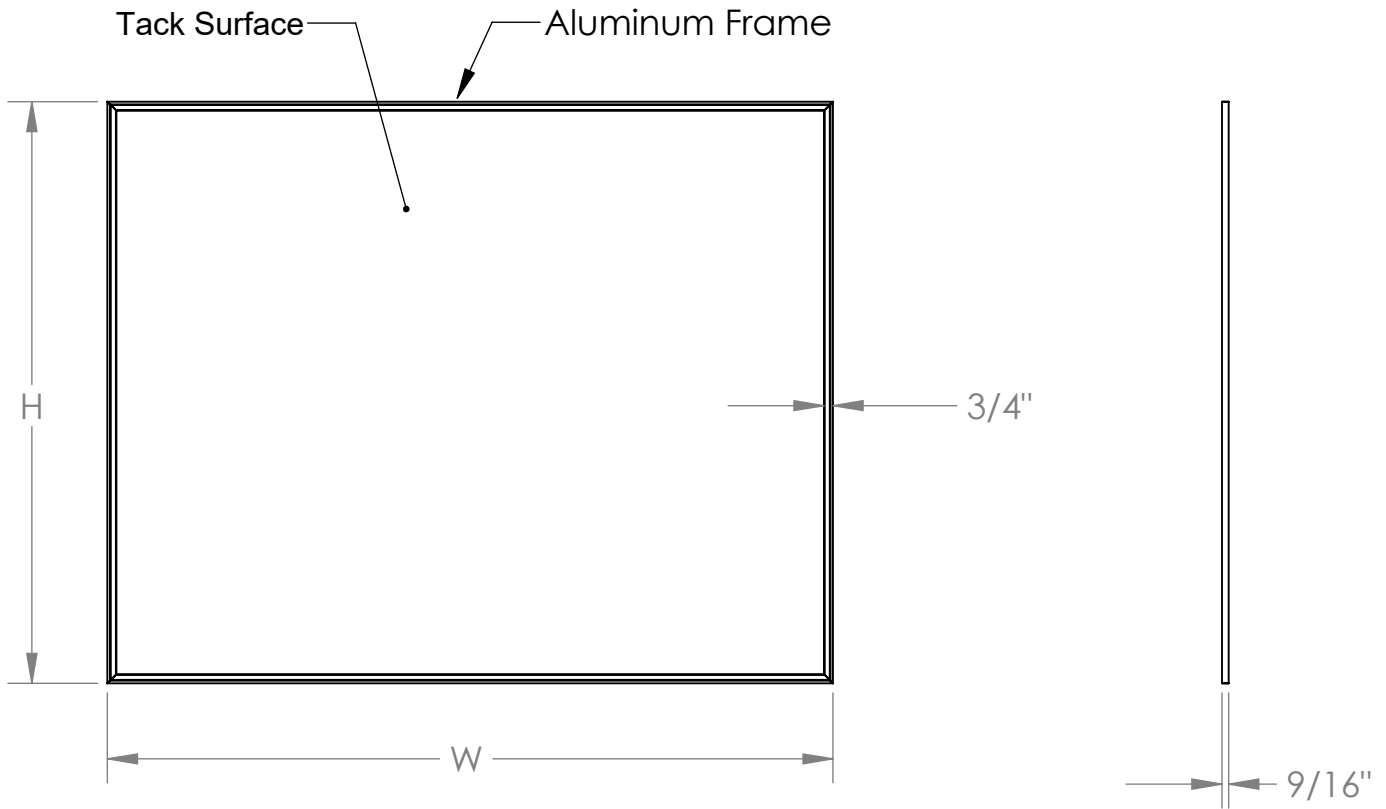


AV Series

Aluminum Framed Prematak Vinyl Bulletin Boards



Materials:

- Framing: Satin anodized aluminum extrusion.
- Tack Surface: Prematak vinyl tack surface laminated to 3/8" thick fiberboard.

Features:

- Ghent "L" hangers are included
- Aluminum frame is permanently attached to the tack surface.
- Tack surface available in 7 standard colors.
- Board is guaranteed for 10 years.
- Made in the USA.

Notes:

- Wall mounted fasteners are not included.
- For indoor use only

Part Number	H	W
AV35-XXX	36-7/16"	60-15/32"
AV44-XXX	48-15/32"	48-15/32"
AV45-XXX	48-15/32"	60-15/32"
AV46-XXX	48-15/32"	72-1/2"
AV47-XXX	48-15/32"	87-29/32"
AV48-XXX	48-15/32"	96-17/32"
AV410-XXX	48-15/32"	120-19/32"
AV412-XXX	48-15/32"	144-19/32"