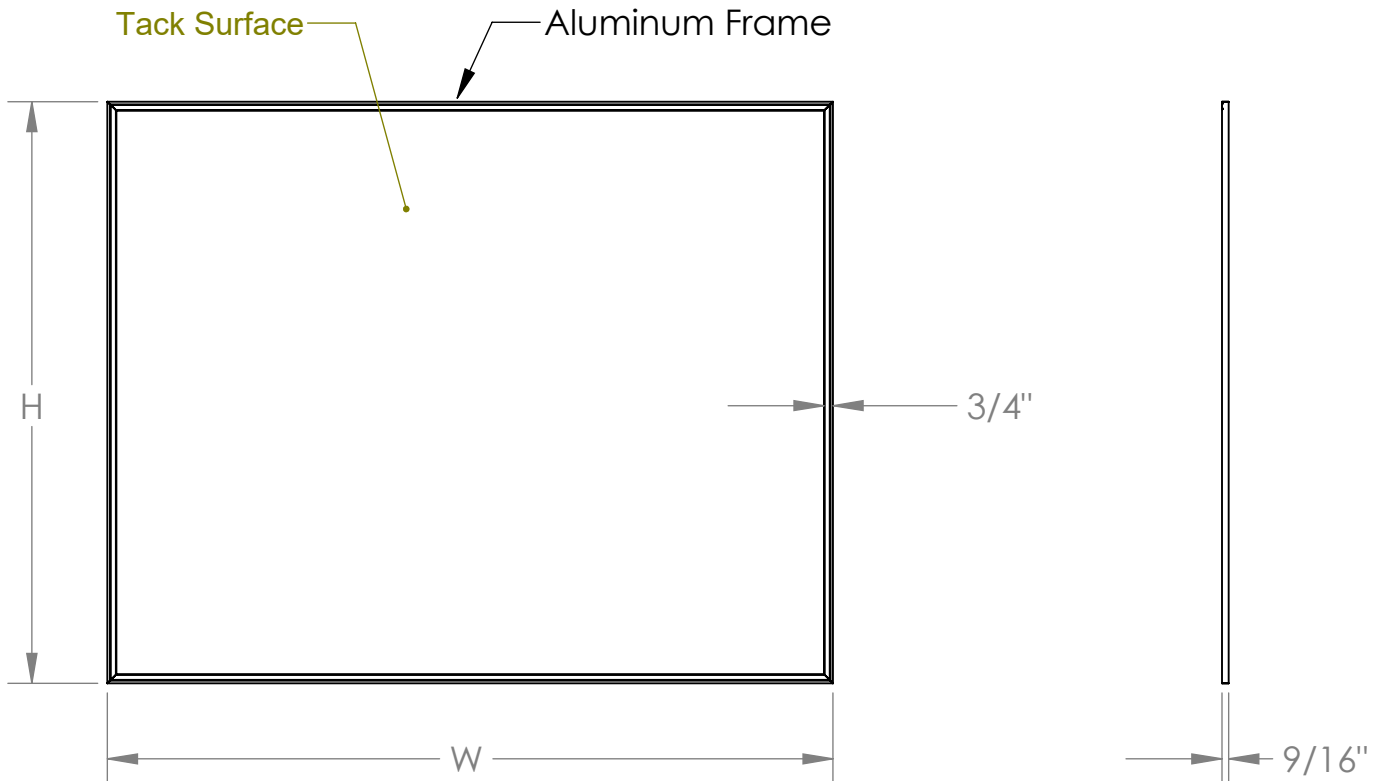


ATR Series

Aluminum Framed Recycled Rubber Bulletin Boards



Materials:

- Framing: Satin anodized aluminum extrusion.
- Tack Surface: 1/16" Thick 90% recycled rubber and 10% virgin EPDM, 100% re-grind laminated to 3/8" thick fiberboard with an aluminum plated polyester film backing.

Features:

- Ghent "L" hangers are included
- Aluminum frame is permanently attached to the tack surface.
- Tack surface available in 3 standard colors.
- Board is guaranteed for 10 years.
- Made in the USA.

Notes:

- Wall mounted fasteners are not included.
- For indoor use only

Part Number	H	W
ATR35-XX	36-7/16"	60-15/32"
ATR44-XX	48-15/32"	48-15/32"
ATR45-XX	48-15/32"	60-15/32"
ATR46-XX	48-15/32"	72-1/2"
ATR47-XX	48-15/32"	87-29/32"
ATR48-XX	48-15/32"	96-17/32"
ATR410-XX	48-15/32"	120-19/32"
ATR412-XX	48-15/32"	144-19/32"