

ELS1

Early Learning Station



Assembly Guide ELS1 2019 A

Check out our other products online at
www.copernicused.com

For assistance, please contact us:

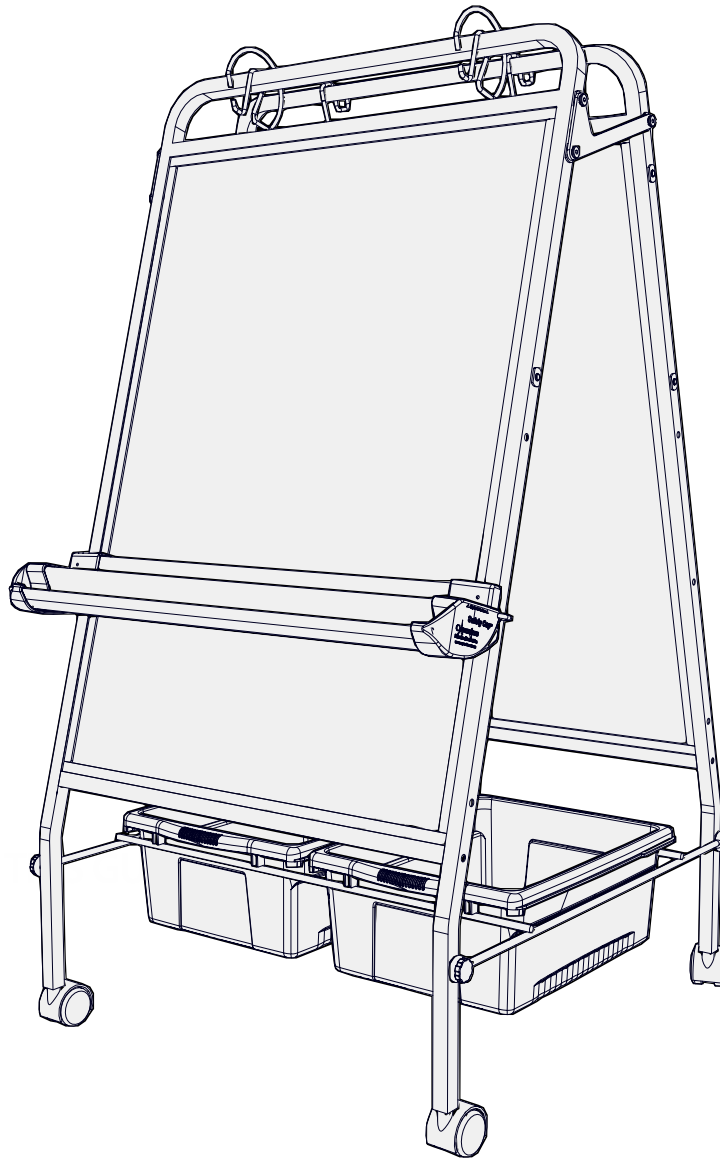
1-800-267-8494

Email info@copernicused.com

Have your packing slip ready for reference

WARNING !

- This product is meant to be assembled by an adult.
- In its unassembled state, small parts present a hazard.
- To be used under direct supervision of an adult.



Please Recycle

Released Oct 11, 2019 - Copernicus Educational Products Inc.

Early Learning Station



Assembly Guide ELS1 2019 A

Check out our other products online at
www.copernicused.com

For assistance, please contact us:

1-800-267-8494

Email info@copernicused.com

Have your packing slip ready for reference

Dear Educator,

Thank you for purchasing the Early Learning Station. We hope it meets all your expectations and you and your students enjoy using it at your school.

If you have any questions, concerns or ideas on how we can improve please let us know by contacting our Customer Solutions Ninjas at 1-800-267-8494 or info@copernicused.com.

Happy teaching,

Kaylyn Belcourt-McCabe
President

We do not inherit the earth from our ancestors, we borrow it from our children.

NORTH AMERICAN
PROVERB

Change is the end result of all true learning.

LEO BUSCAGLIA

What you leave behind is not what is engraved in stone monuments, but what is woven into the lives of others.

PERICLES

Education is the most powerful weapon which you can use to change the world.

NELSON MANDELA



Validate Your Warranty

To validate your warranty, submit the ON-LINE form at www.copernicused.com
Enter a draw to win a Copernicus Product for your classroom at the same time!



Warning! Hazard Risks!

Please read the warnings below for important safety information regarding your product. Failure to read these warnings or to follow the instructions below could result in personal injury or damage to your product that could void your warranty.



Small
Parts

In its unassembled state, this product contains parts that can be hazardous to small children. This product should be assembled by an adult.



Adult
Supervision

This product is to be used under the supervision of an adult.



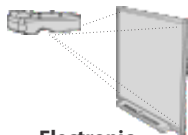
Indoor Use
Only

This product is intended for indoor use only. To reduce the risk of fire or electric shock, do not expose this product to rain or moisture. The internal components are not sealed from the environment.



Power Strip
Specifications

Read your power strip electrical specifications. Only plug in devices that are approved for use with this power strip. Connect the supplied power strip directly to a wall outlet. **Do not connect to another power strip or use an extension cord.** Unplug when not in use. **Do not leave this product plugged in for more than 72 consecutive hours.** Turn off power strip before unplugging.



Electronic
Equipment

Read the electrical specifications of any electronic equipment you are using with your Copernicus products. Failure to read these specifications and follow their instructions could result in damage to your equipment or personal injury.



Cable Trip
Hazard

Ensure that any cables extending across the floor to your product are properly bundled and marked to avoid tripping or falling which may lead to personal injury.



Electrical Shock

Do not install or use the electrical components of this unit during a lightning storm.



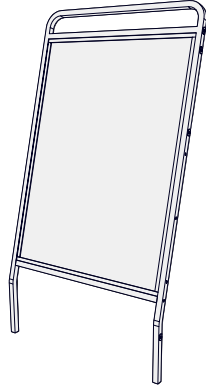
Climb Hazard

Do not climb on, hang from or suspend objects from any components of your product unless otherwise specified.

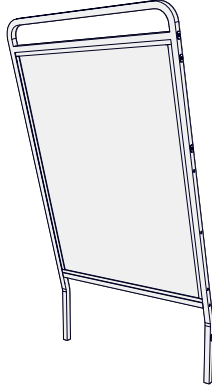
Before beginning, you should have:

Contents Box-1

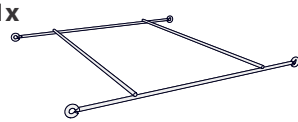
Whiteboard Frame
(with lines)
1x



Whiteboard Frame
(without lines)
1x

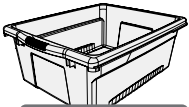


Tub Rack
1x



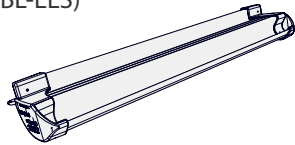
Contents Box-2

Open Tub
(CC4068)
2x



10 lbs Weight Limit

Safety Cap™ Premium Book Ledge
(PABL-ELS)
1x



Hardware (actual size)

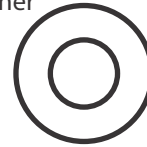
A M6 x 19mm Bolt
(43219)
8x



B M6 Lock Washer
(43273)
6x



C M6 Nylon Washer
4x



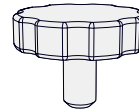
In Box 1

Additional Hardware (not to scale)

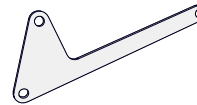
Allen Key 4mm
(43281)
2x



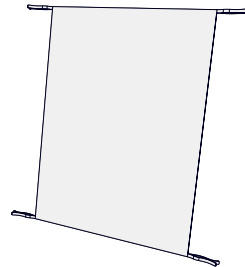
Knob
2x



Frame Bracket
2x



Roll Up Felt Surface
1x



2" Twin Wheel
Locking Caster
(410011)
4x

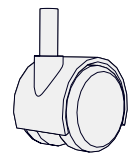


Chart Loop Hook
(310171)
2x

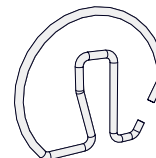
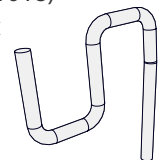


Chart "S" Hook
(31018)
2x



Tips for Assembly

Watch for These Helpful Symbols

This symbol denotes a 2-Person Task. For safety, please ensure that there are the suggested number of people working on steps displaying this symbol.



Watch for this symbol throughout the Assembly Guide. Wherever you see it, pay close attention. The symbol denotes a step needing extra attention to ensure it is done correctly.



The star symbol highlights an advisory note.

Before You Begin

- Lay out and identify all of the included parts.
- The hardware has been packed according to step.
- Read the assembly guide over once to familiarize yourself with them.



! Please note that in its unassembled state, this product contains parts that can be hazardous to small children. This product should be assembled by an adult.

! Please note, star washers are critical components for electrical safety. Star washers must be included and fasteners fully tightened to prevent the risk of electric shock..



As You Assemble the Unit

- Follow the steps in sequence.
- Before beginning each step, find the part(s) that you need for that step.
- Pay attention to the labels on the parts; they are there to help direct you at certain stages.
- The title of each step states what you will be doing. Review the text and the pictures as you build the unit.

Customer Service - FAQ's



For missing parts and other issues regarding the frame:

Please call Copernicus Customer Service, where we will be happy to help.

1-800-267-8494. Monday - Friday 8:00am - 4:30 pm EST.

OR

Email our Tech Support Service at vanessa@copernicused.com

**Need Tech Support?
Have a Question?**



Email our Tech Support Service

**Check out some of our
other great products!**



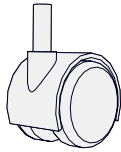
www.copernicused.com

My Flat Panel isn't working, who should I call?

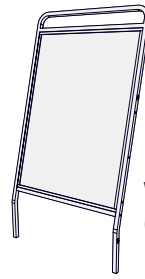
Please call the reseller that you bought the product from first (reseller information can be found on your packing slip).

1

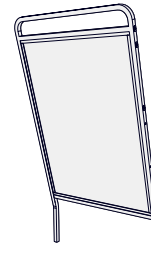
You will need: (Not to Scale)



2" Twin Wheel Locking Caster
4x



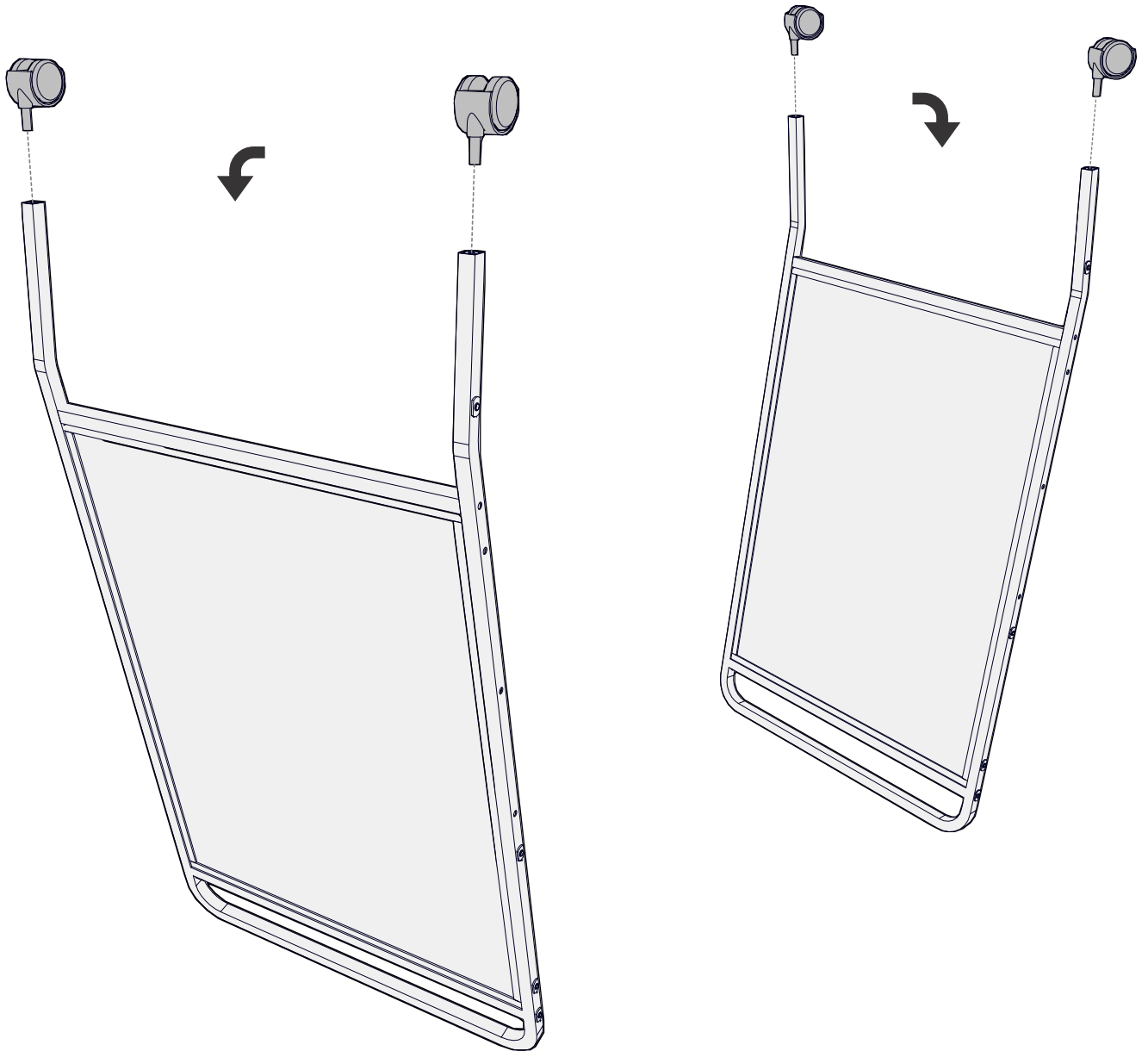
Whiteboard Frame
(with lines)
1x



Whiteboard Frame
(without lines)
1x

Install Casters

- ! Place Whiteboard Frames upside down to install casters more easily.
- Tap them in with a mallet if necessary.

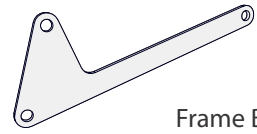


2

Actual Size:



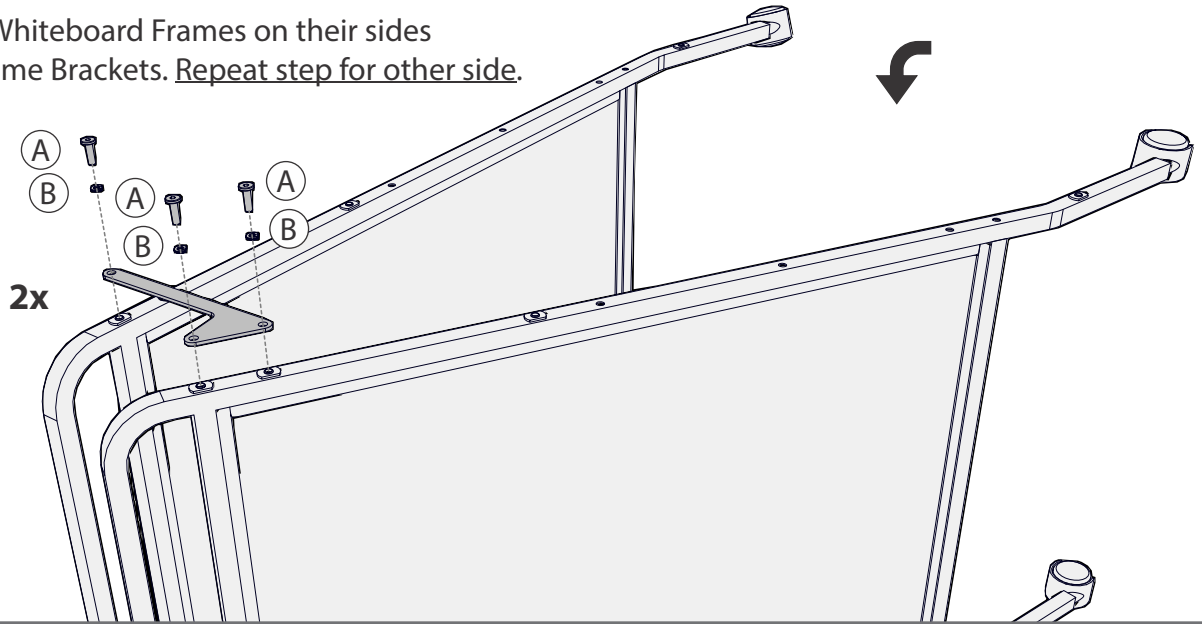
You will need: (Not to Scale)



Frame Bracket
2x

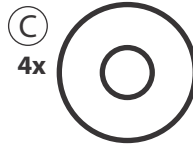
Attach BOTH Frame Brackets

! Place both Whiteboard Frames on their sides to install Frame Brackets. Repeat step for other side.

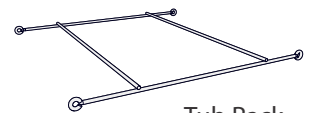
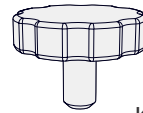


3

Actual Size:



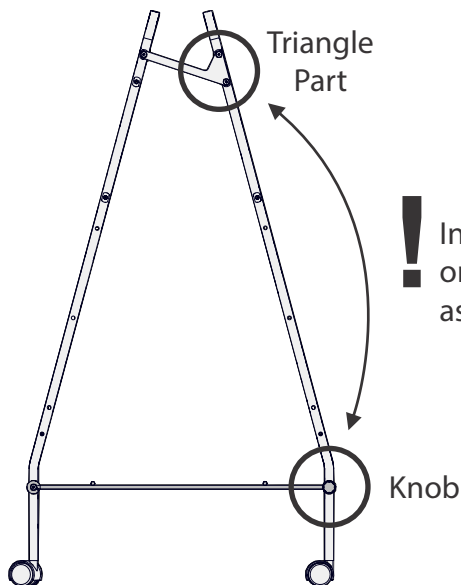
You will need: (Not to Scale)



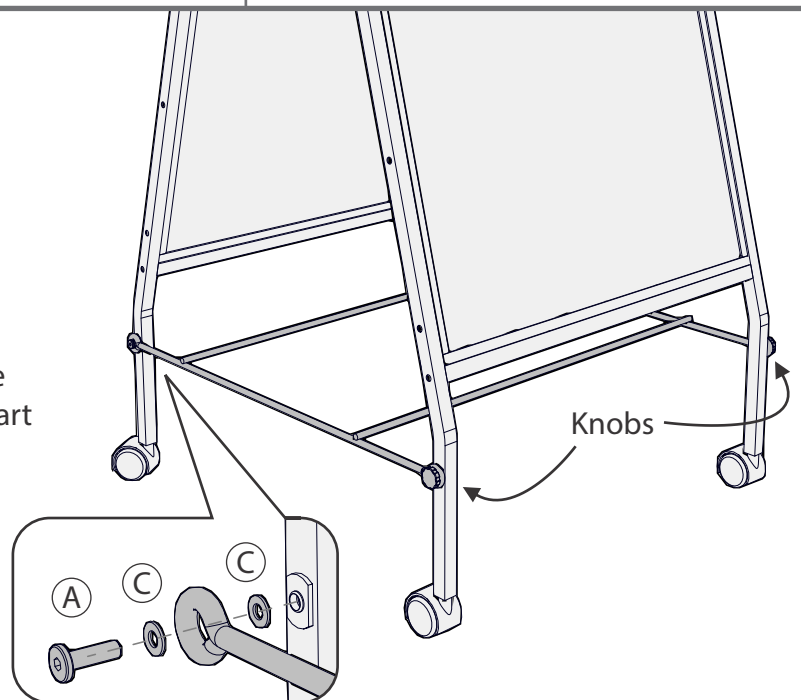
Knob
2x

Tub Rack
1x

Install Tub Rack



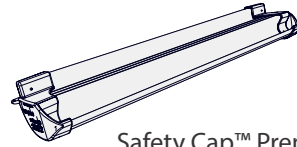
! Install knob on same side as Triangle Part



4

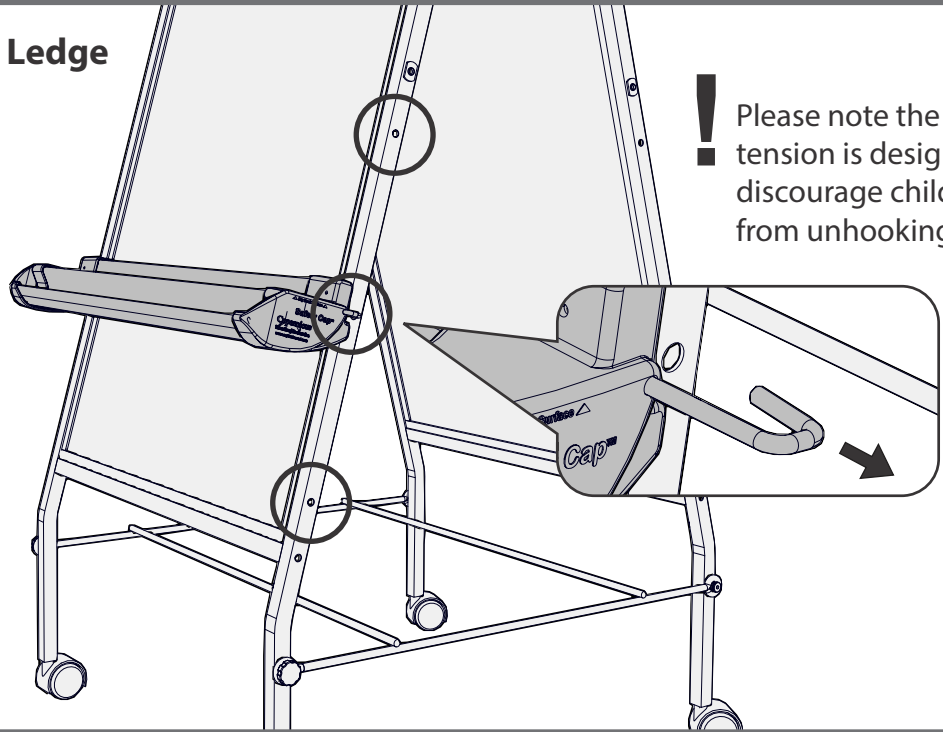
Actual Size:

You will need: (Not to Scale)



Safety Cap™ Premium Book Ledge
1x

Install Safety Cap™ Book Ledge



! Please note the spring tension is designed to discourage children from unhooking it

5

Actual Size:

You will need: (Not to Scale)

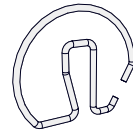


Chart Look Hook
2x

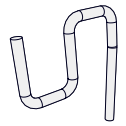
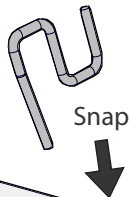
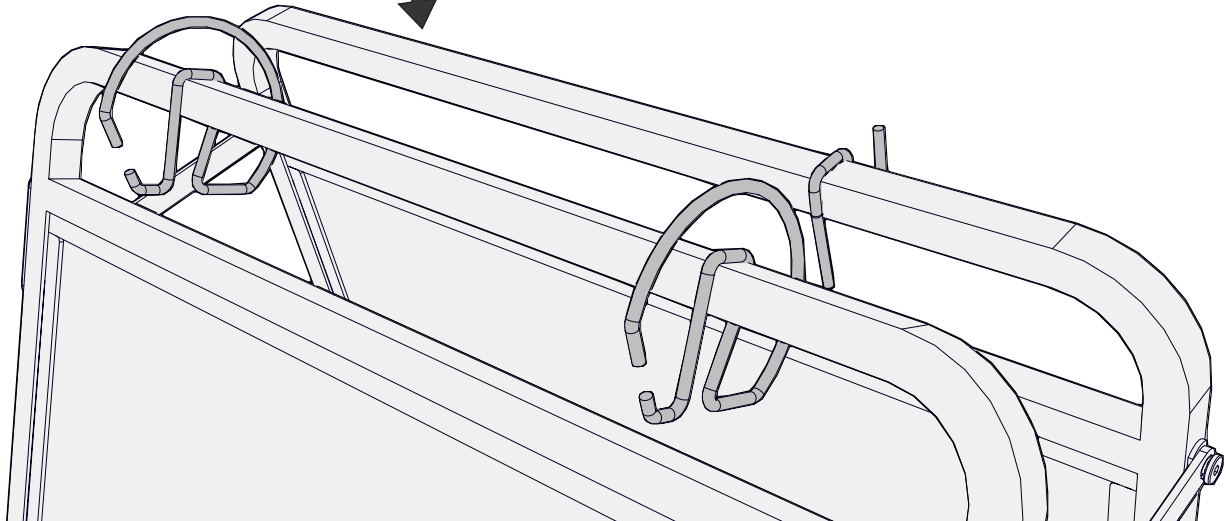


Chart "S" Hook
2x

Install All Chart Hooks



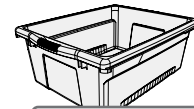
! Place empty hardware bag over frame to prevent scratching



6

Actual Size:

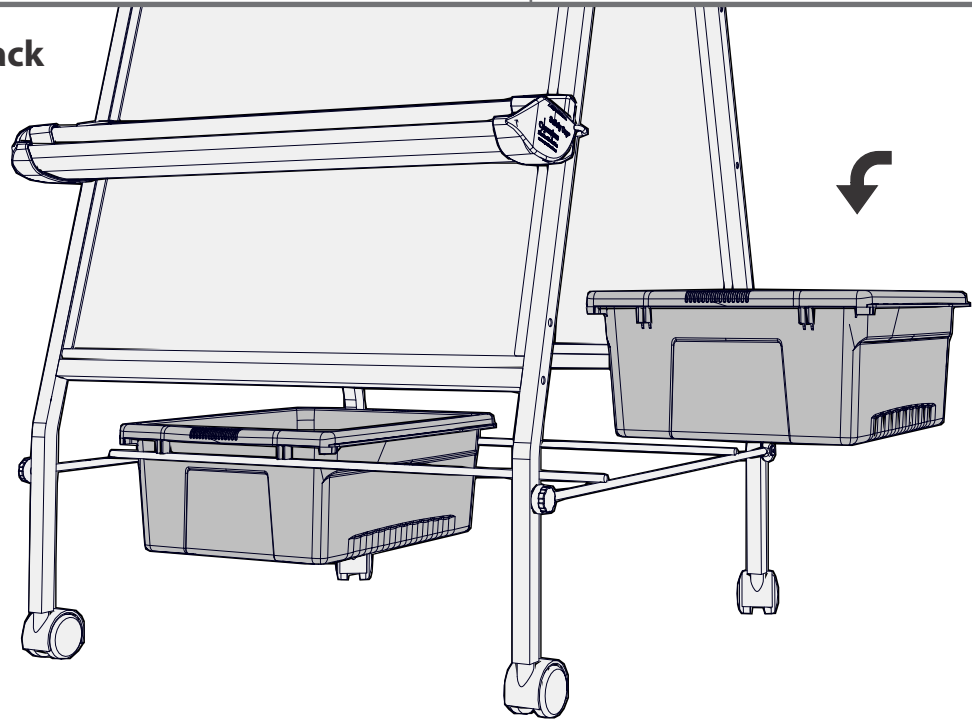
You will need: (Not to Scale)



10 lbs Weight Limit

Open Tub
2x

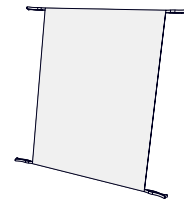
Install Tubs On Tub Rack



7

Actual Size:

You will need: (Not to Scale)



Roll Up Felt Surface
1x

Secure Roll Up Felt Surface On Whiteboard

Secure using cords at each corner.

