

FTT699
FTT700
FTT700-USB

Tech Tub 2[®] - 6 Device Setup

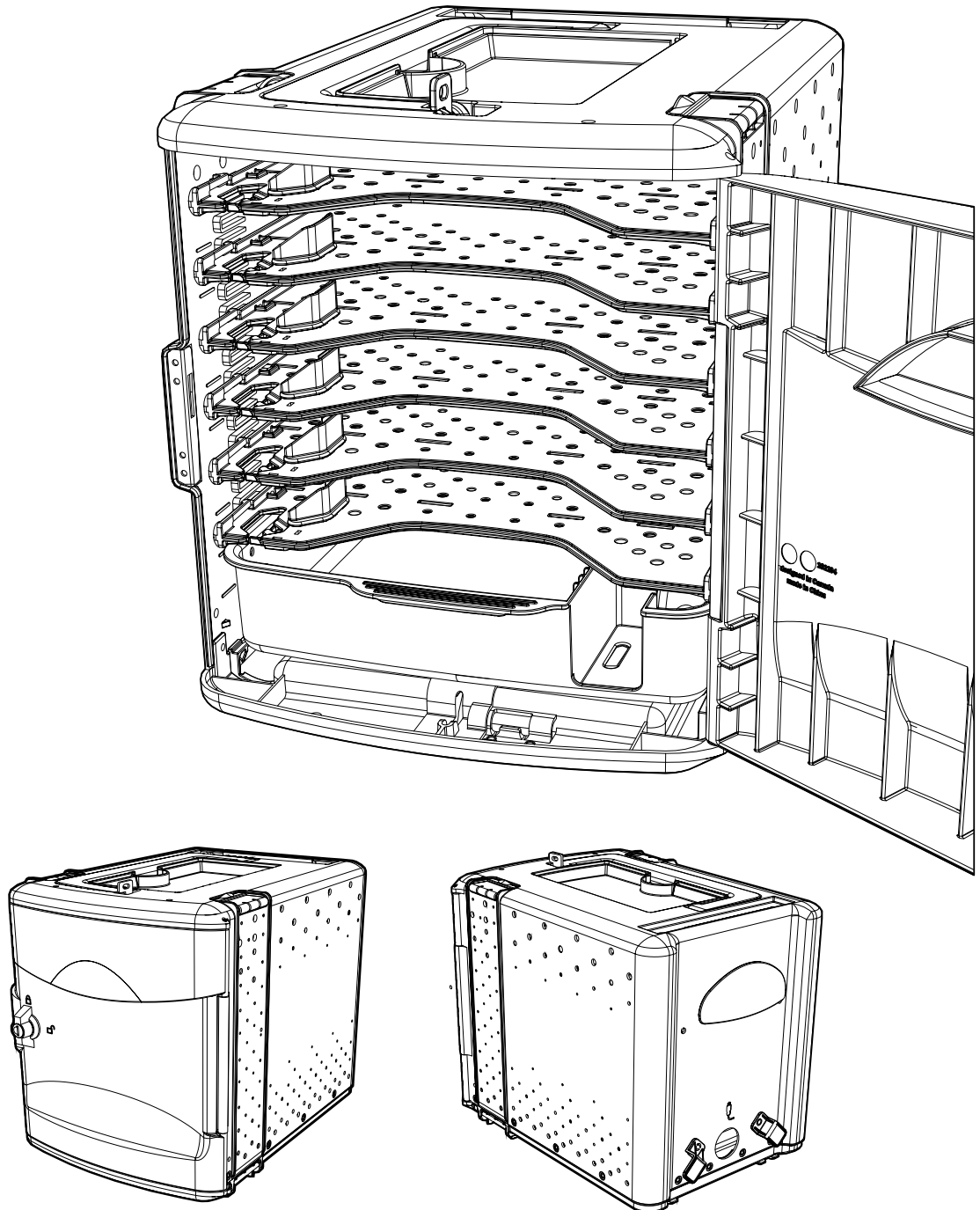


Assembly Guide

Check out our other products online at www.copernicused.com

For assistance, please contact us by telephone at **1-800-267-8494** or email at info@copernicused.com.

Have your packing slip ready for reference.



Please Recycle

Customer Service & Warranty Information

Dear Educator,

Thank you for purchasing the Tech Tub²®. We hope it meets your expectations and you and your students enjoy using it at your school.

Every day we see and hear stories of teachers going above and beyond to help students thrive. Thank you so much for all you do – you are awesome, and you make a difference.

Thank you for inspiring us.

If you have any questions, concerns or ideas on how we can improve please let us know by contacting our Customer Solutions Ninjas at 1-800-267-8494 or info@copernicused.com.

Happy teaching,

Kaylyn Belcourt, President
kaylyn@copernicused.com



We do not inherit the earth from our ancestors, we borrow it from our children.

- NATIVE AMERICAN PROVERB

Change is the end result of all true learning.

- LEO BUSCAGLIA

What you leave behind is not what is engraved in stone monuments, but what is woven into the lives of others.

- PERICLES

Education is the most powerful weapon which you can use to change the world.

- NELSON MANDELA

For missing parts and other issues regarding your product:

Please contact Customer Service, where we will be happy to help.
Telephone: 1-800-267-8494, Monday - Friday 8:00am - 4:30 pm EST
Email: info@copernicused.com

**Need Support?
Have a Question?**



Email [Customer Service](mailto:CustomerService)

**Check out some of our
other great products!**



www.copernicused.com

My devices aren't working, who should I call?

Please contact the reseller that you bought the product from.
Reseller information can be found on your packing slip.

Lifetime
All Components
Warranty

Register your Product

Registering your warranty ensures we have all the information we need to make any future warranty claims quick and easy. Please visit www.copernicused.com/warranty and complete the form within 10 business days from product assembly. By registering your product, you will be entered into a draw to win Copernicus product.

Make a Warranty Claim

We offer a Lifetime Warranty on almost everything we make. Please call **1-800-267-8494** or email info@copernicused.com to start your warranty claim. Proof of purchase will be required upon warranty claim (i.e. copy of invoice).

Tips for Assembly

Before You Begin:

- Lay out and identify all of the included parts.
- The hardware has been packed according to step.
- Read the assembly guide over once to familiarize yourself with them.

As You Assemble the Unit:

- Follow the steps in sequence.
- Before beginning each step, find the part(s) that you need for that step.
- The title of each step states what you will be doing. Review the text and the pictures as you build the unit.

Watch for This Helpful Symbol:



The symbol denotes a step needing extra attention to ensure it is done correctly.



Important Information! Warning!

Please read the warnings below for important safety information regarding your product. Failure to read these warnings or to follow the instructions below could result in personal injury or damage to your product that could void your warranty.



Small Parts

In its unassembled state, this product contains parts that can be hazardous to small children. This product should be assembled by an adult.



Adult Supervision

This product is to be used under the supervision of an adult.



No Maintenance

This product does **NOT** require maintenance. Repairs should only be performed by authorized personnel. Please contact customer service if repairs are required.



Climb Hazard

Do not climb on, hang from or suspend objects from any components of your product unless otherwise specified.



Indoor Use Only

This product is intended for indoor commercial use only. To reduce the risk of fire or electric shock, do not expose this product to rain or moisture. The internal components are not sealed from the environment.



Power Strip Specifications

Read your power strip electrical specifications. Only plug in devices that are approved for use with this power strip. Connect the supplied power strip directly to a wall outlet.

Do not connect to another power strip or use an extension cord. Turn off power strip before unplugging. Unplug when not in use.



Electronic Equipment

Read the electrical specifications of any electronic equipment you are using with your Copernicus products. Failure to read these specifications and follow their instructions could result in damage to your equipment or personal injury.



Cable Trip Hazard

Ensure that any cables extending across the floor to your product are properly bundled and marked to avoid tripping or falling which may lead to personal injury.

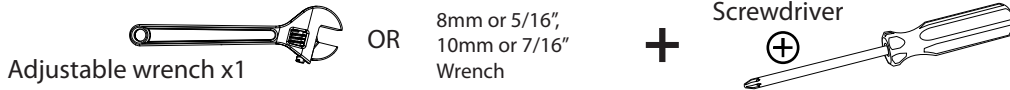


Electrical Shock

Do not install or use the electrical components of this unit during a lightning storm.

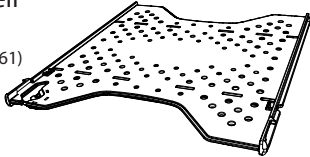
Before beginning, you should have:

Additional tools required:

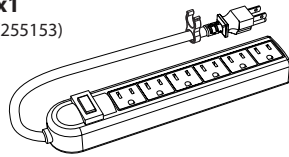


FTT699

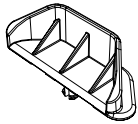
Shelf
x6
(23261)



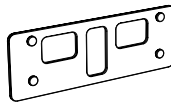
6-Outlet Power Strip
x1
(255153)



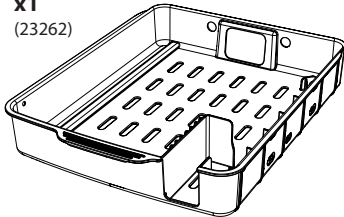
Device Positioning Rail
x6
(23271)



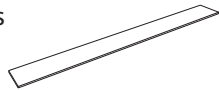
Power Strip Mounting Plate
x1
(23275)



Power Tray
x1
(23262)



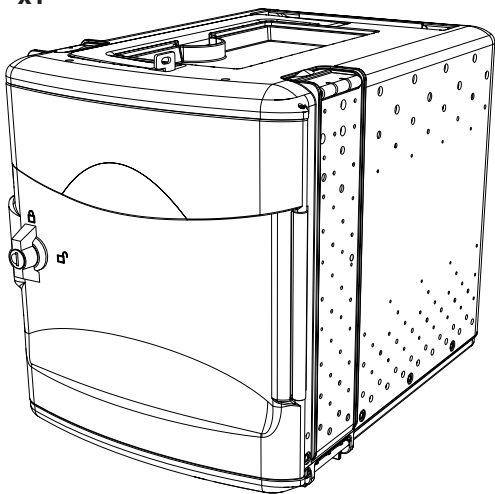
Hook & Loop Straps
x6
(43321)



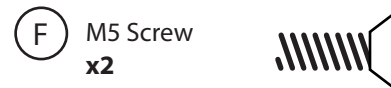
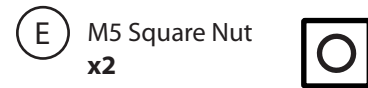
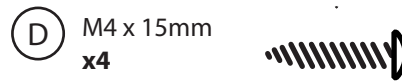
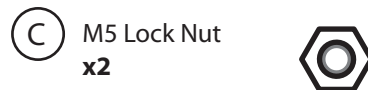
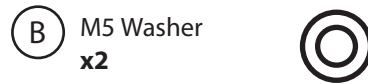
Adapter extension cables
x6
(255155)



6 Device Tech Tub²
Main Body
x1

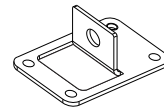


Hardware Actual Size



Not to Scale

Front Pin Bracket
(23275)
x1



Keys
x2

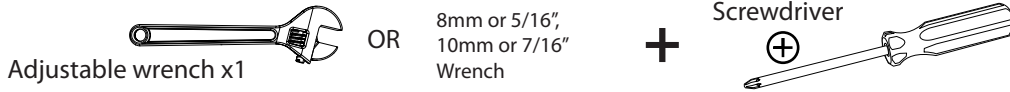


5mm Driver
Allen Key
x1



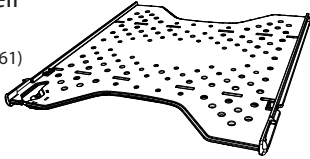
Before beginning, you should have:

Additional tools required:

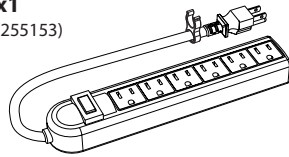


FTT700

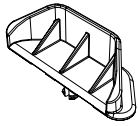
Shelf
x6
(23261)



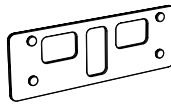
6-Outlet Power Strip
x1
(255153)



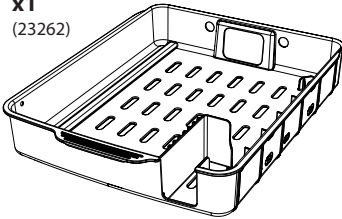
Device Positioning Rail
x6
(23271)



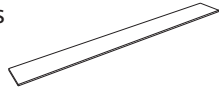
Power Strip Mounting Plate
x1
(23275)



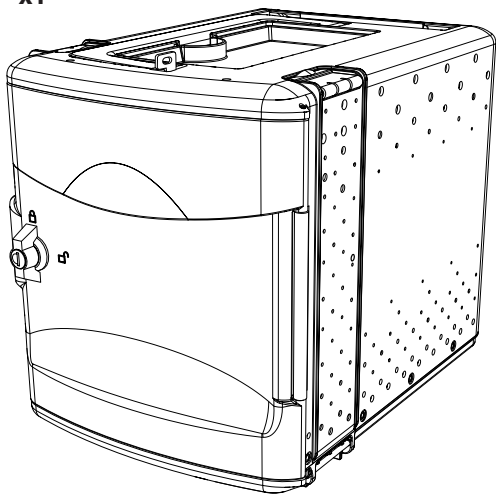
Power Tray
x1
(23262)



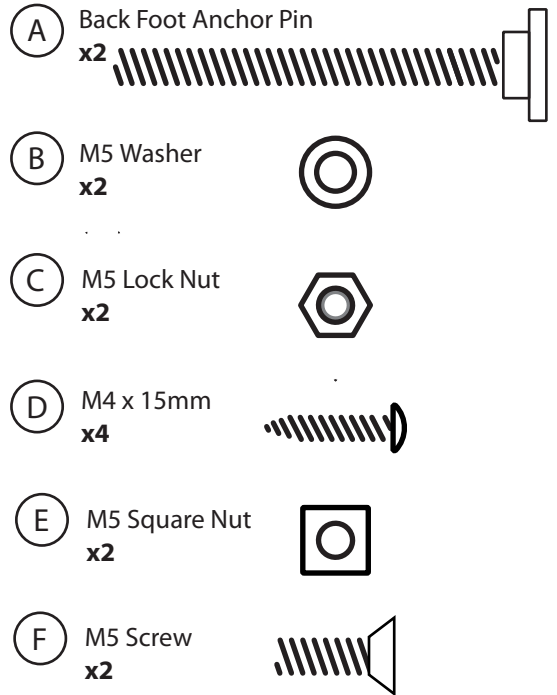
Hook & Loop Straps
x6
(43321)



6 Device Tech Tub²
Main Body
x1

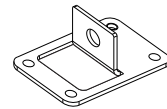


Hardware Actual Size



Not to Scale

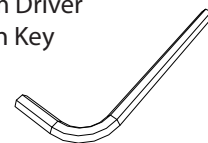
Front Pin Bracket
(23275)
x1



Keys
x2

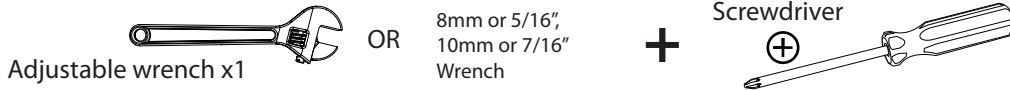


5mm Driver
Allen Key
x1



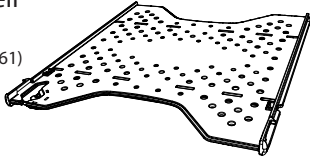
Before beginning, you should have:

Additional tools required:

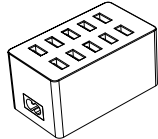


FTT700-C

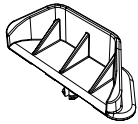
Shelf
x6
(23261)



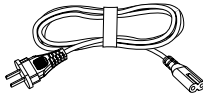
USB Hub
1x
(2551441)



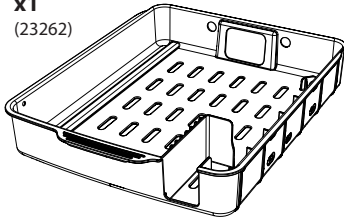
Device Positioning Rail
x6
(23271)



Power Cord
x1



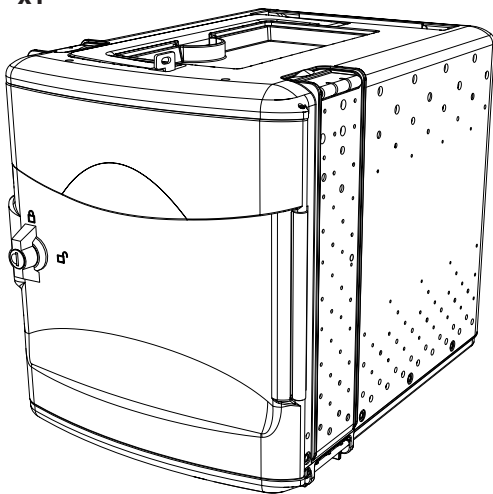
Power Tray
x1
(23262)



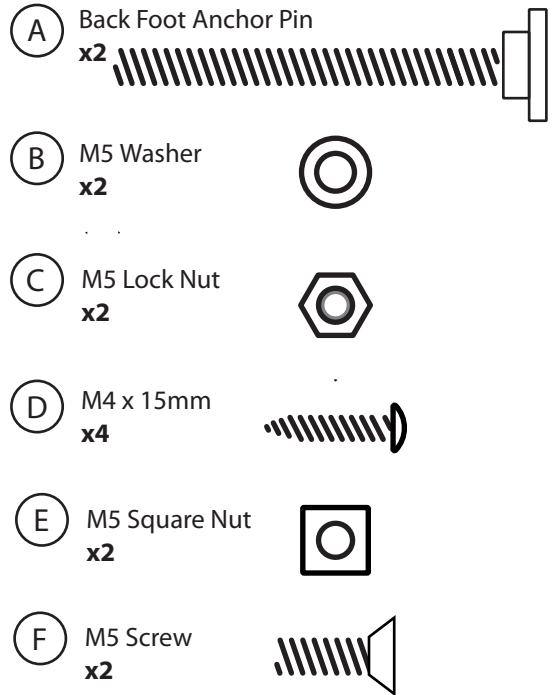
Hook & Loop Straps
x6
(43321)



6 Device Tech Tub²
Main Body
x1



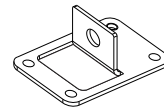
Hardware *Actual Size*



In FTT700-C

Not to Scale

Front Pin Bracket
(23275)
x1



Keys
x2



5mm Driver
Allen Key
x1

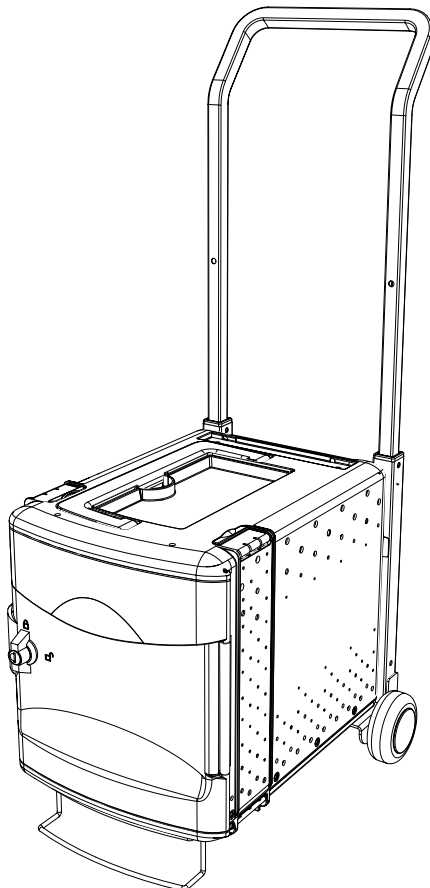


Tech Tub²® Trolley Setup

STOP!

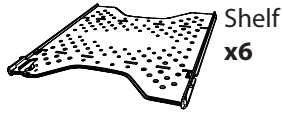
If you purchased the Tech Tub² Trolley you will need to mount your Tech Tub² onto the Trolley Frame first, before proceeding with this assembly guide. Please look inside the Trolley Frame box for the assembly guide that explains how to do this.

If you have not purchased the Tech Tub² Trolley, please proceed to the next page to continue setting up your Tech Tub².



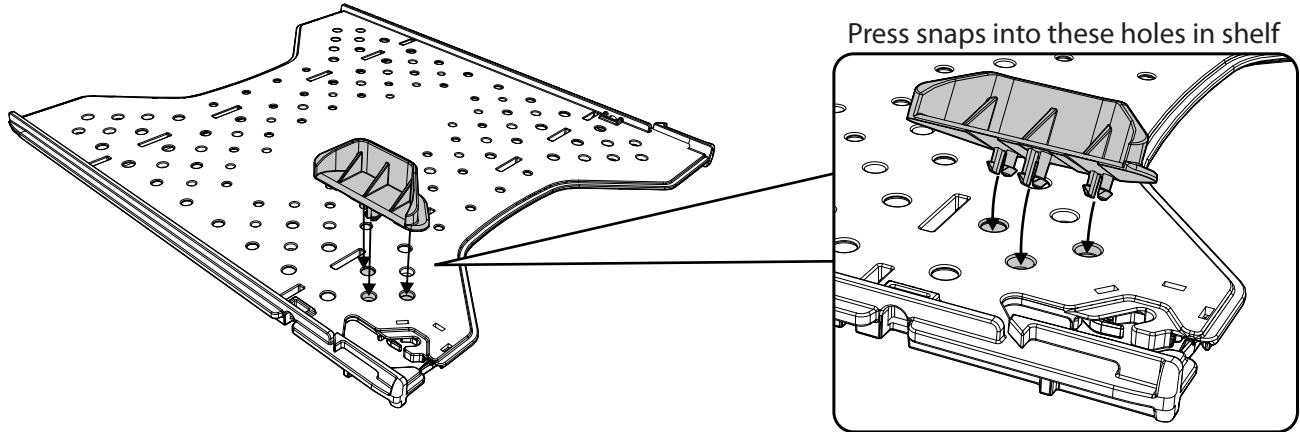
1

You will need: (Not to Scale)



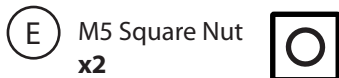
Install Device Positioning Rail into all shelves

- ! This part helps keep smaller devices away from the cable management area. If your devices are wider than 8.66in (220mm), please skip this step.
- Device positioning rail can be installed or uninstalled at any time.

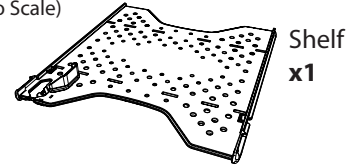


2

Actual Size:

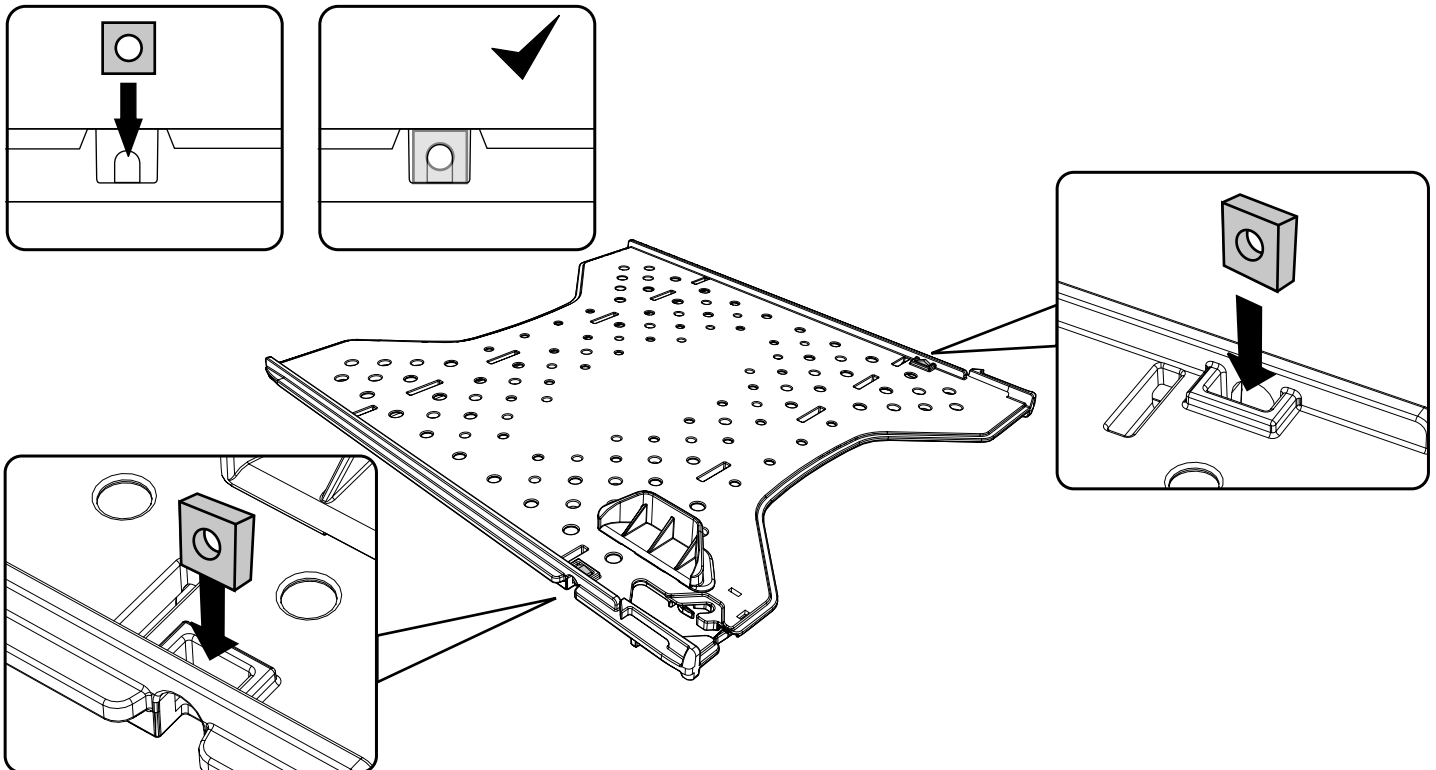


You will need: (Not to Scale)



Install nuts into one shelf

Ensure nut is inserted fully into slot in shelf



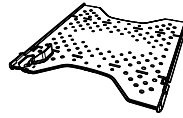
3

Actual Size:

F M5 Screw
x2



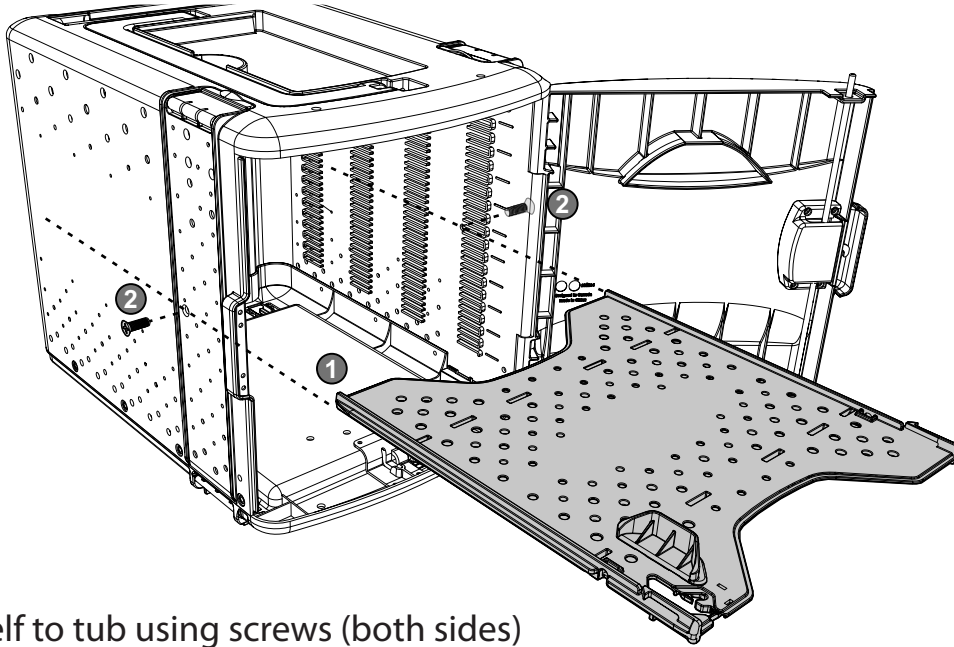
You will need: (Not to Scale)



Shelf
(with M5 square nuts installed from previous step)
x1

Install shelf with nuts into tub

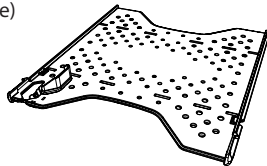
- 1 Install shelf in middle position (aligned with holes for screws)



- 2 Fasten shelf to tub using screws (both sides)

4

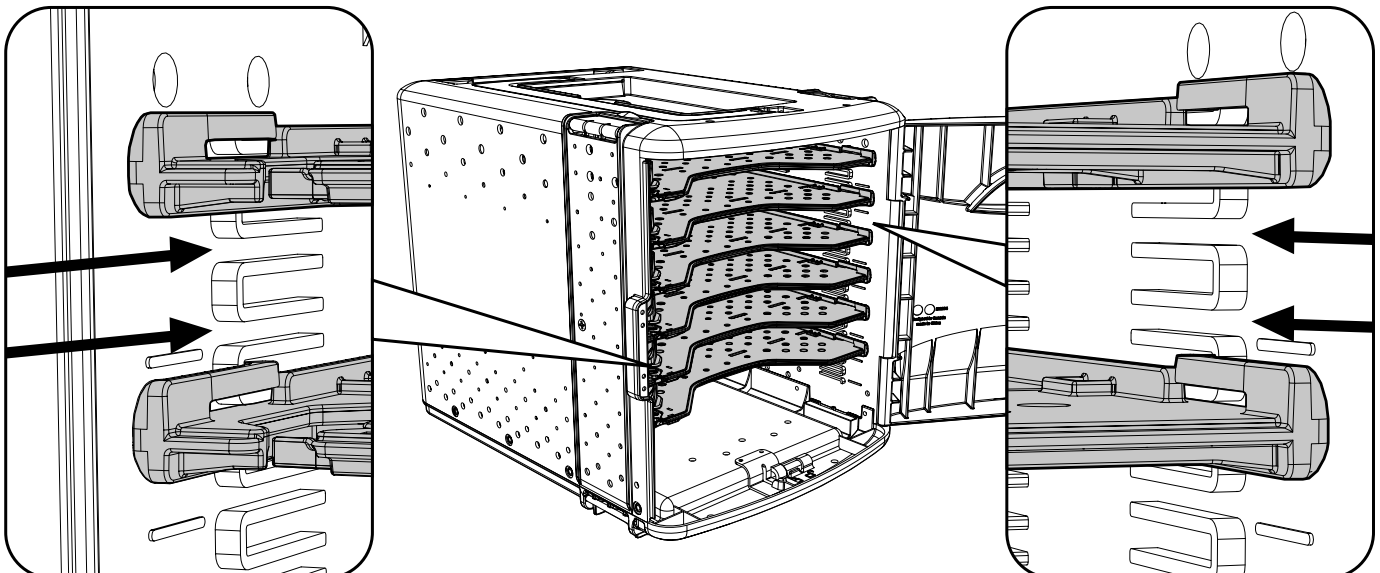
You will need: (Not to Scale)



Shelf
x5

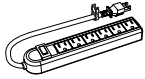
Install remaining shelves

- 1 Install two shelves below middle shelf, leaving two empty slots between each shelf
- 2 Install remaining three shelves above middle shelf, leaving two empty slots between each shelf





Model Specific Instructions



Steps 5-9 are for Power Strip setup (FTT699 or FTT700)



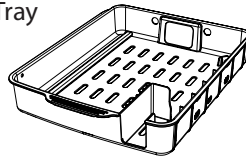
Step 10 is for USB Hub setup (FTT700-USB)

5

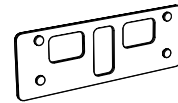
FTT699
FTT700

You will need: (Not to Scale)

Power Tray
x1
(23262)



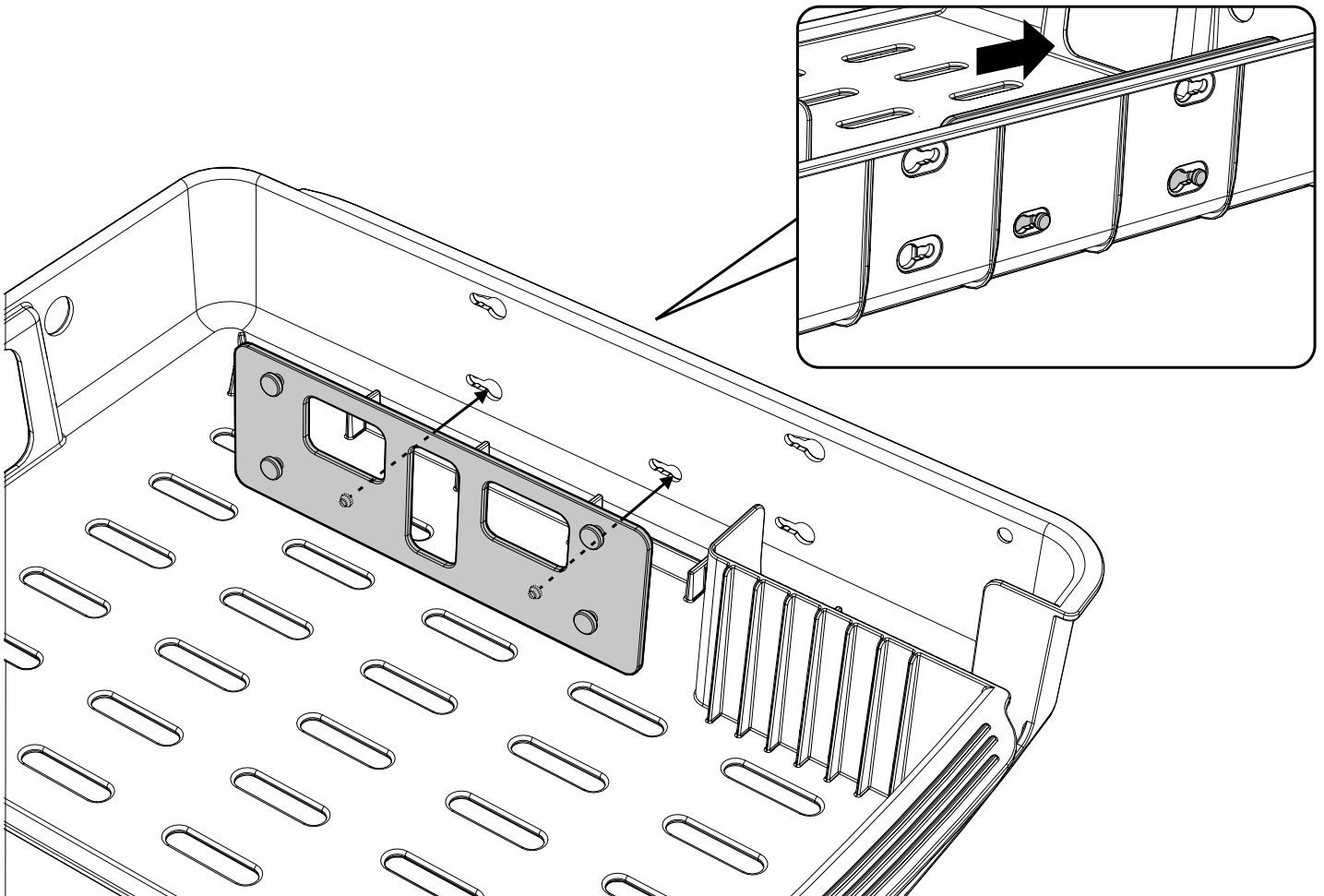
Power Strip Mounting Plate
x1
(23275)



Install Power Strip Mounting Bracket onto Power Tray

1 Insert side with two pegs into keyholes

2 Slide back till you hear a **CLICK!**

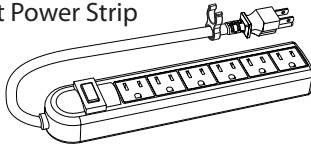


6

FTT699
FTT700

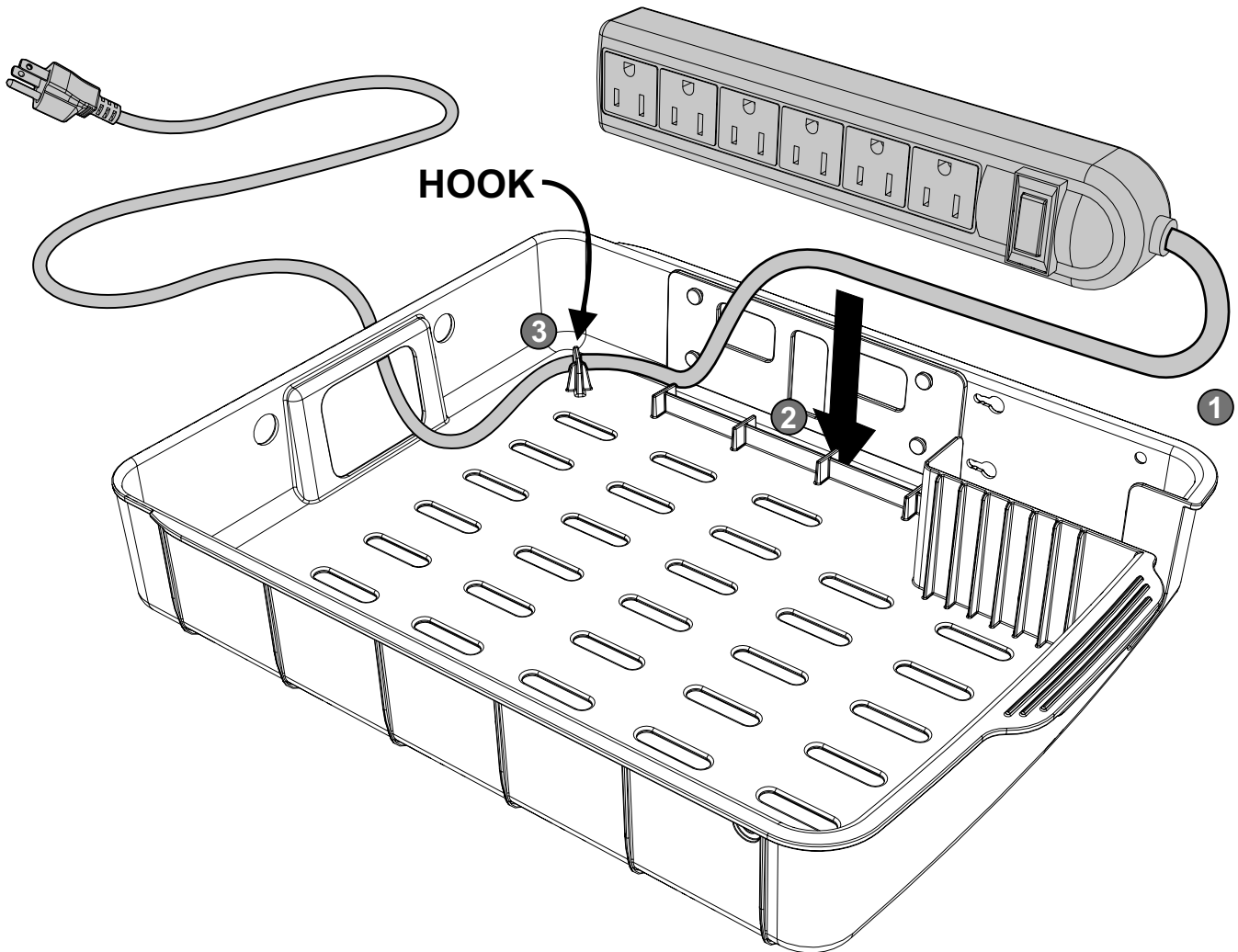
You will need: (Not to Scale)

6-Outlet Power Strip
x1
(25515)



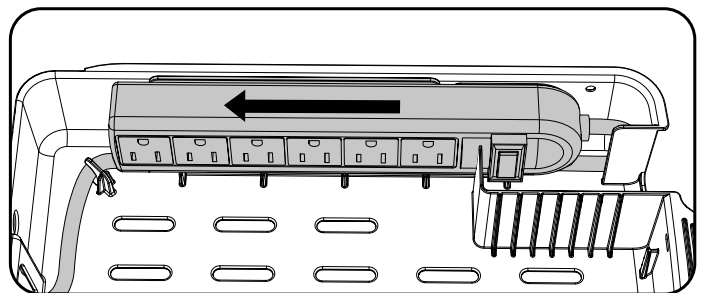
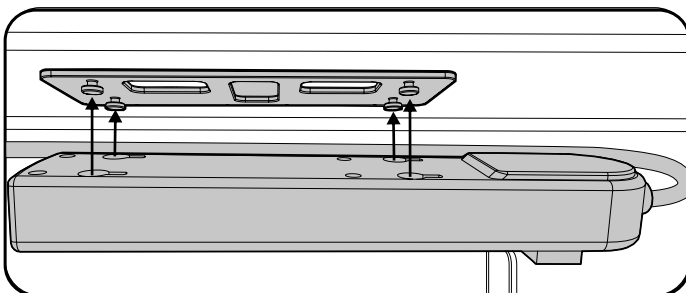
Install Power Strip in Power Tray

- 1 Loop power cable under power strip as shown
- 2 Fit power cable between ribs and Power Strip Mounting Plate
- 3 Route power cable around hook and out through back of Power Tray

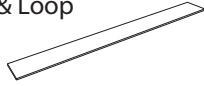


- 4 Fit 4 keyholes on Power Strip over 4 pegs on Power Strip Mounting Plate

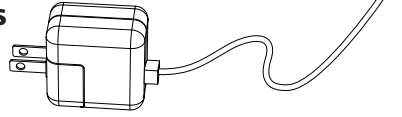
- 5 Slide Power Strip back to secure it



You will need: (Not to Scale)
Hook & Loop
Straps
x6

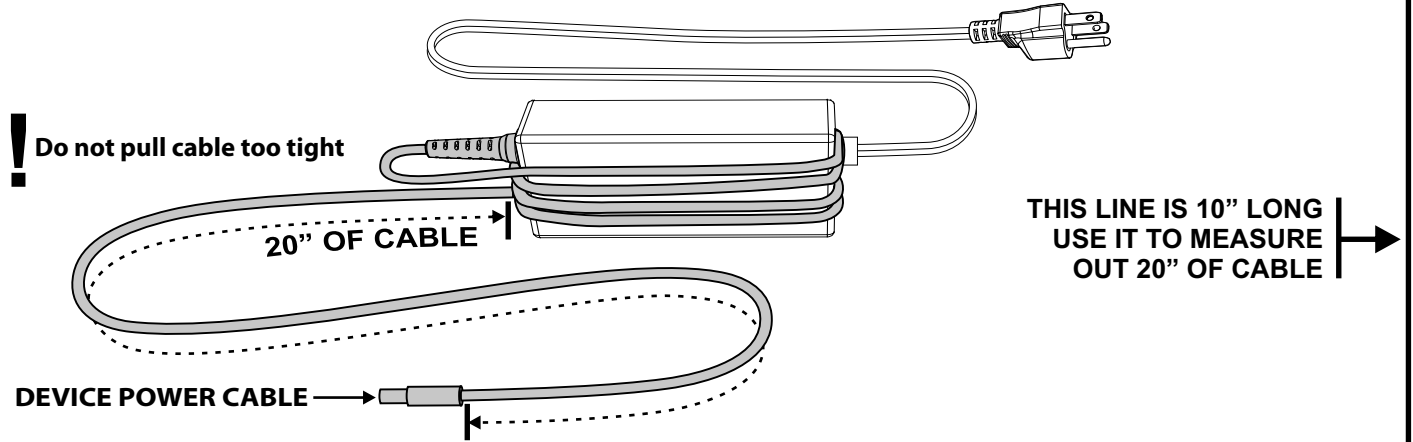


For power adapters
like this proceed
to the next step

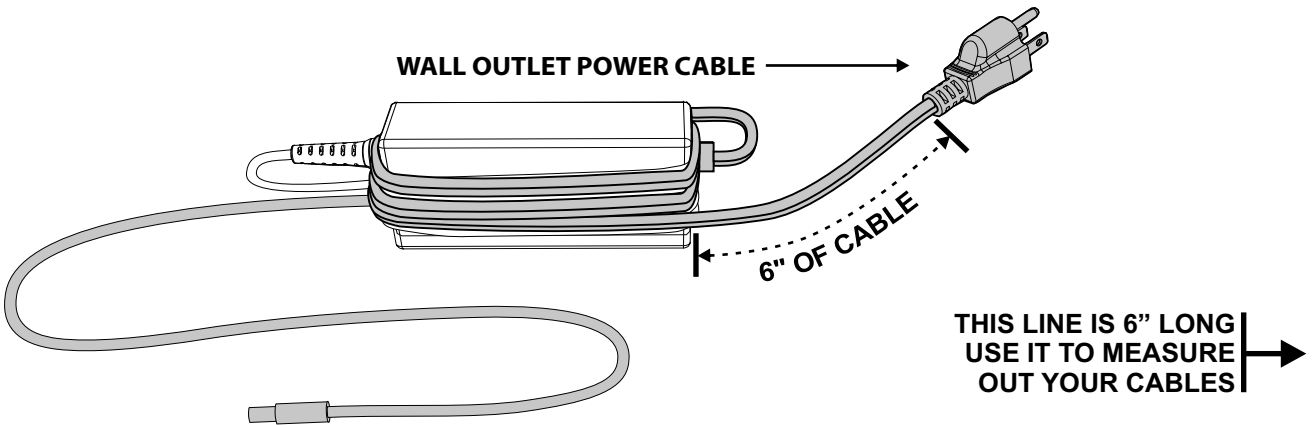


Power adapter cable management

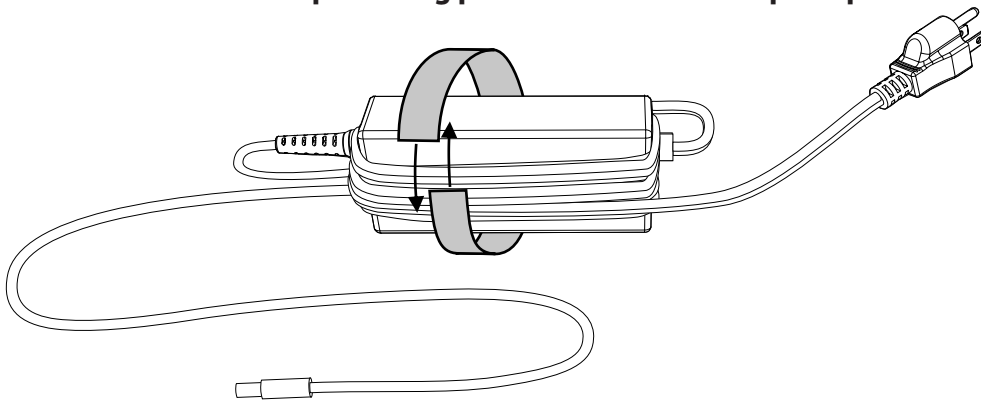
- 1 Wrap device power cable around power adapter leaving 20" of cable free



- 2 Wrap wall outlet power cable around power adapter leaving 6" of cable free



- 3 Secure cables around adapter using provided hook and loop straps



! Repeat above steps for all remaining power adapters

8A

**FTT700
ONLY**

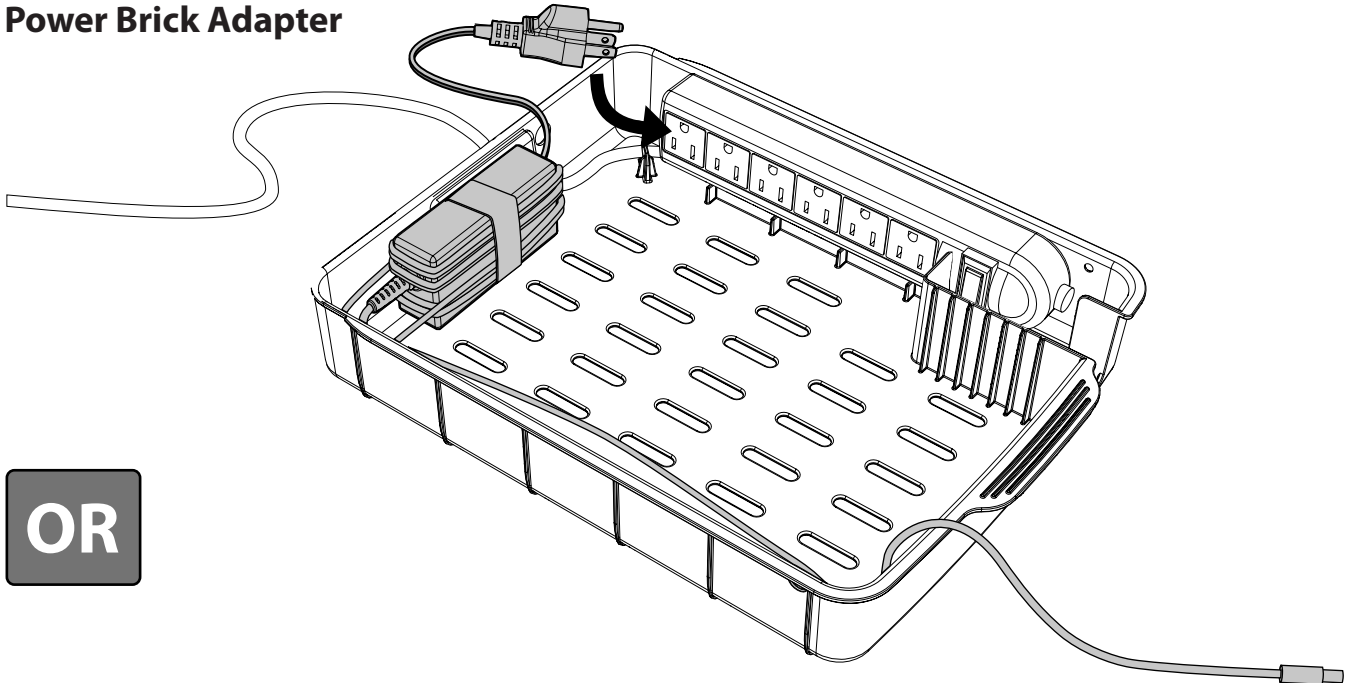


If your power adapter is too wide to fit on the power strip please proceed to STEP 9.

Plug in first power adapter (start at back of the Power Tray)

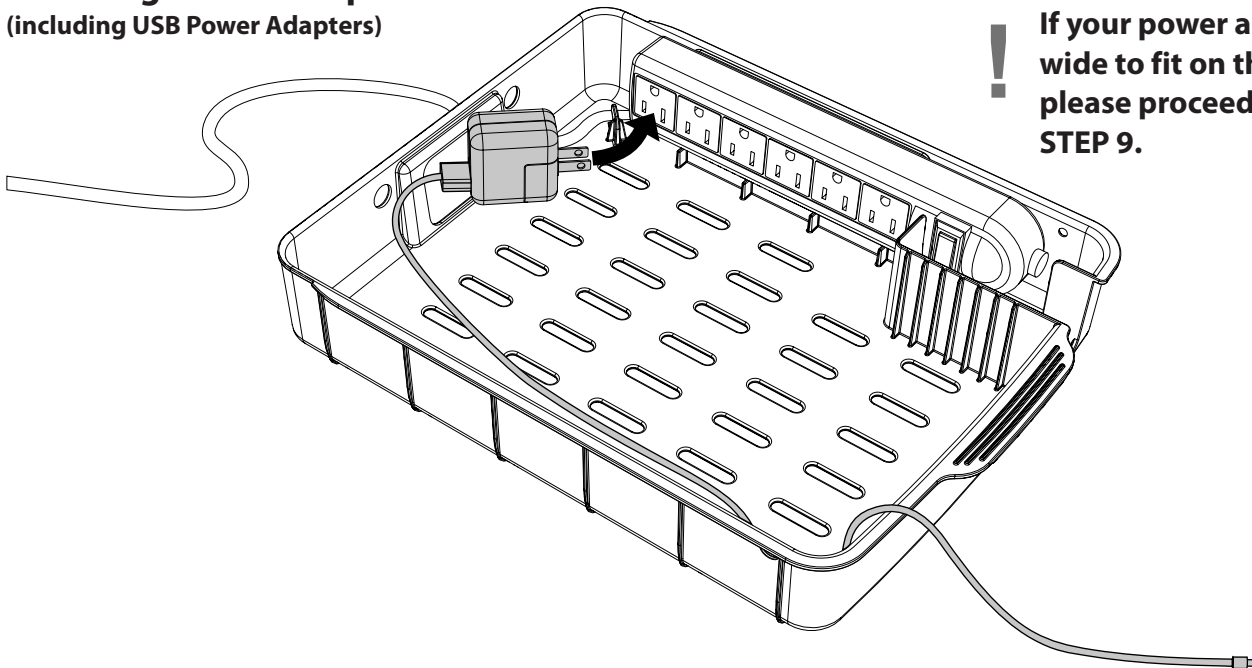
- 1 Plug first power adapter into power strip
- 2 Run cable to front of tray, leaving excess cable hanging out

Power Brick Adapter



OR

Wall Plug Power Adapter (including USB Power Adapters)



! If your power adapter is too wide to fit on the power strip please proceed to STEP 9.

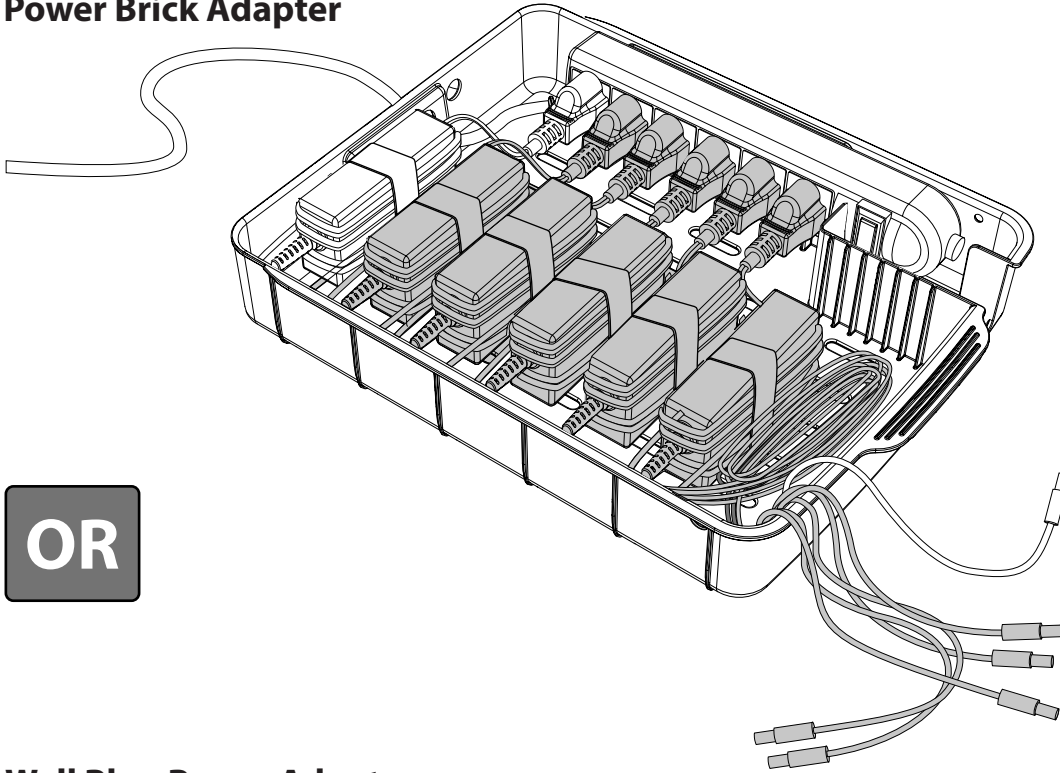
8B

**FTT700
ONLY**

Plug in remaining power adapters

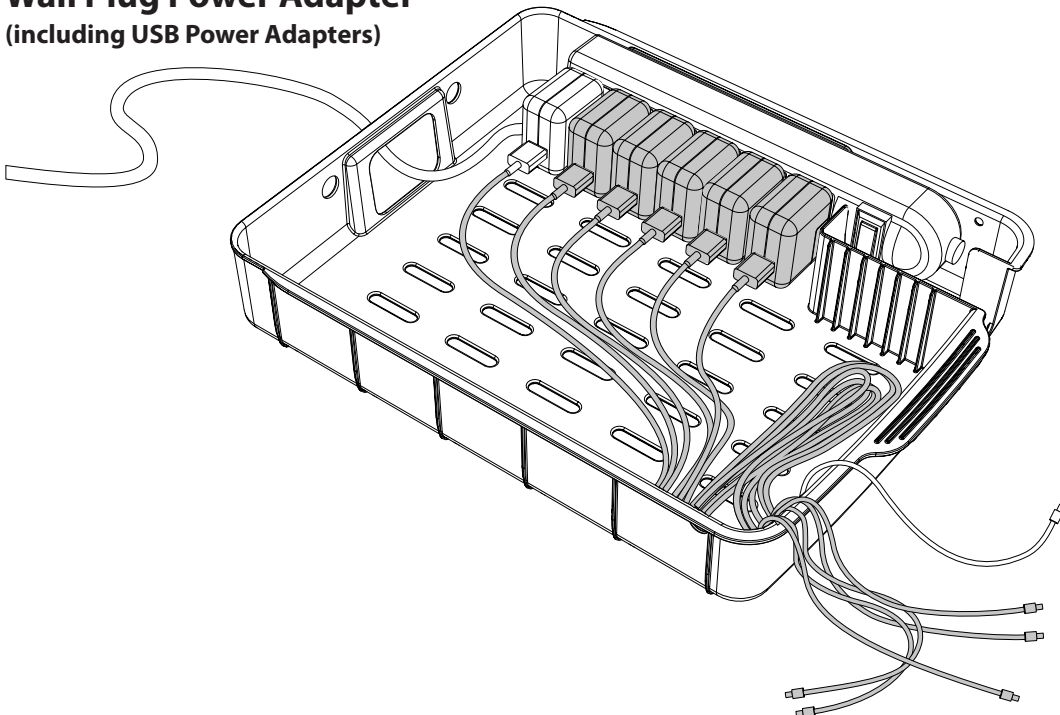
- 1 Plug remaining power adapters into power strip
- 2 Run cables to front of tray, leaving excess cable hanging out

Power Brick Adapter



OR

Wall Plug Power Adapter (including USB Power Adapters)



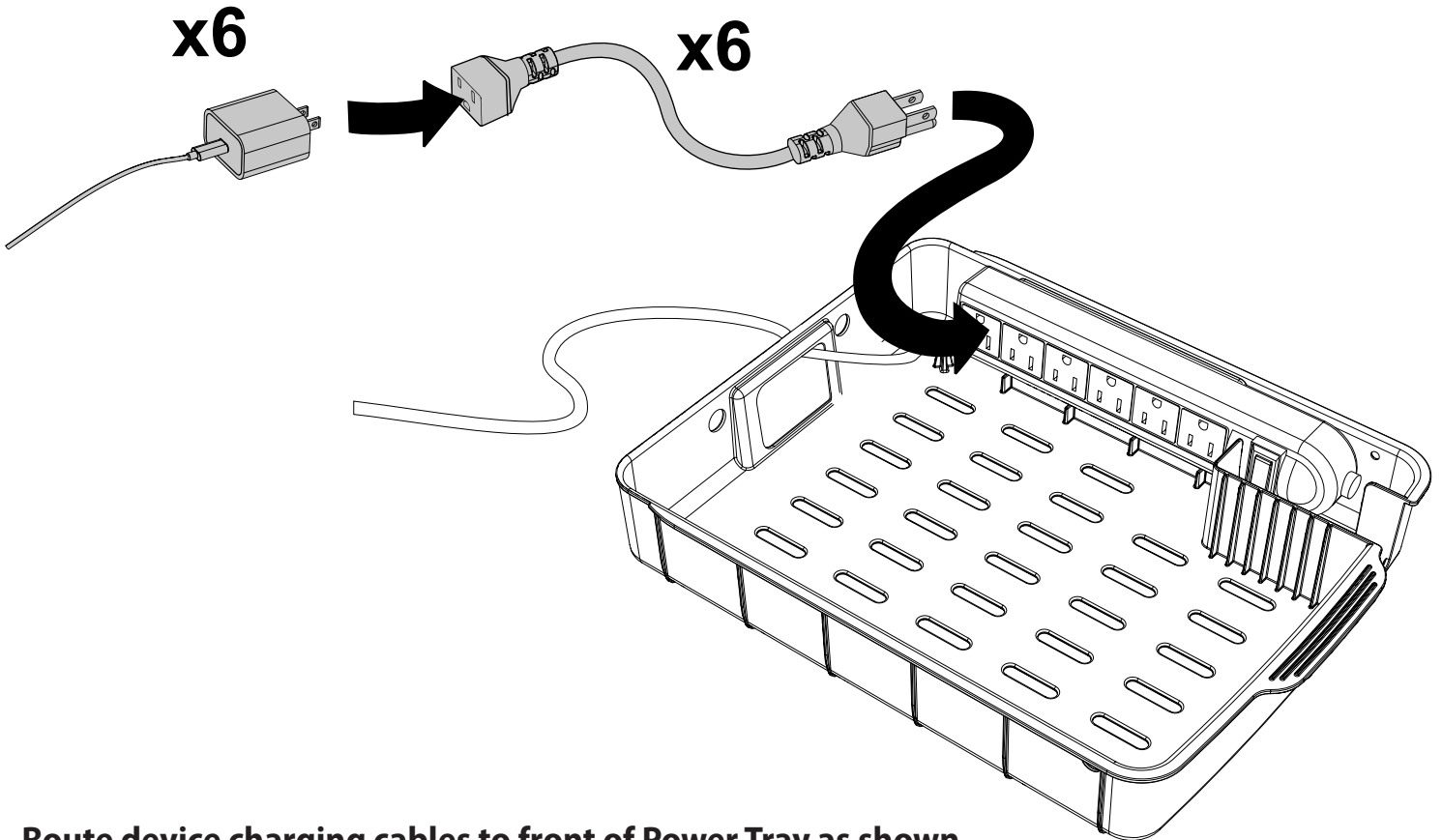
9
FTT699
ONLY

! Follow this step
for larger power adapters
that won't fit on the
6 outlet power strip

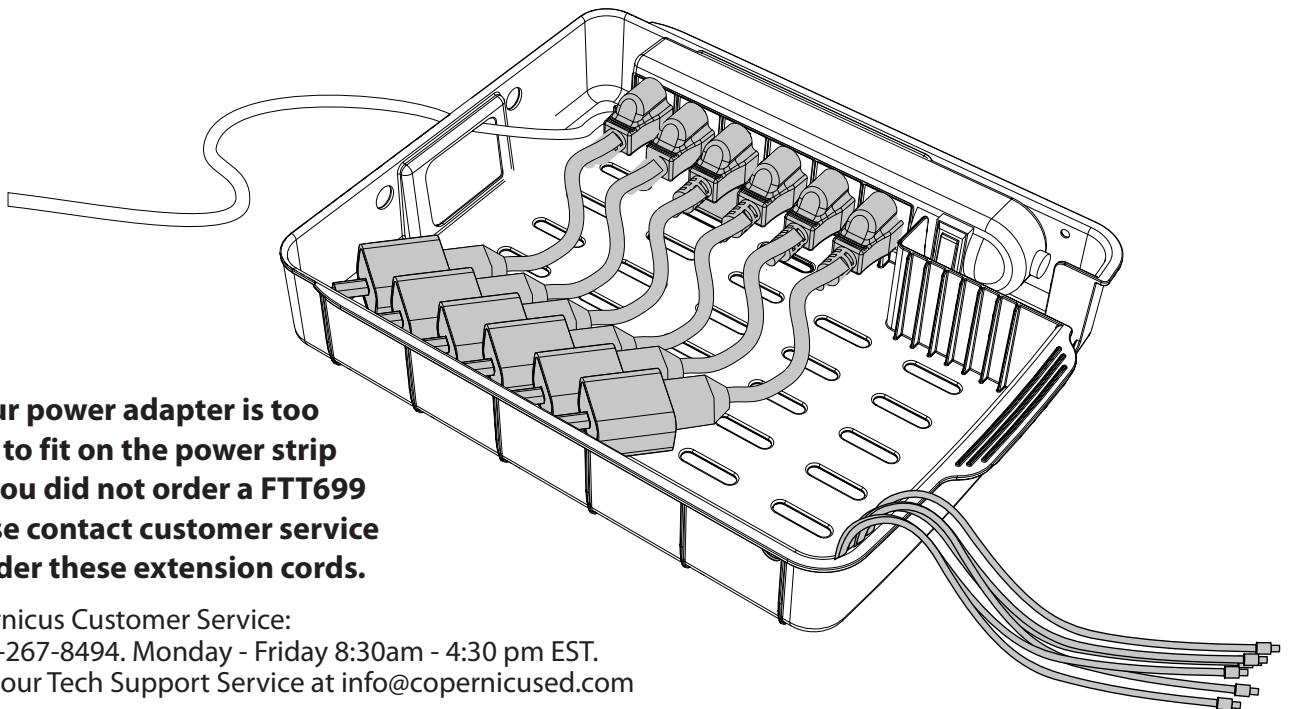
Adapter extension
cables
x6



Plug in power adapter to extension cords, and plug in extension cords to power strip



Route device charging cables to front of Power Tray as shown

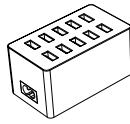


! If your power adapter is too
wide to fit on the power strip
but you did not order a FTT699
please contact customer service
to order these extension cords.

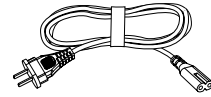
Copernicus Customer Service:
1-800-267-8494. Monday - Friday 8:30am - 4:30 pm EST.
Email our Tech Support Service at info@copernicused.com

You will need: (Not to Scale)

USB Hub
1x
(2551441)

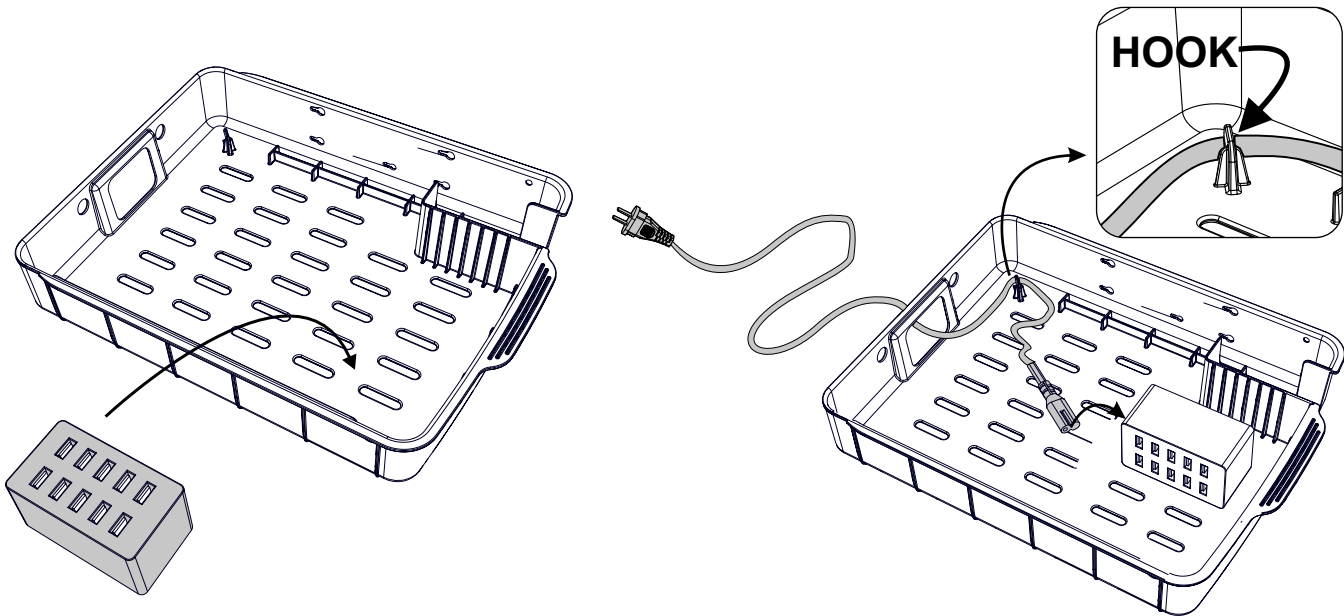


Power Cord
x1

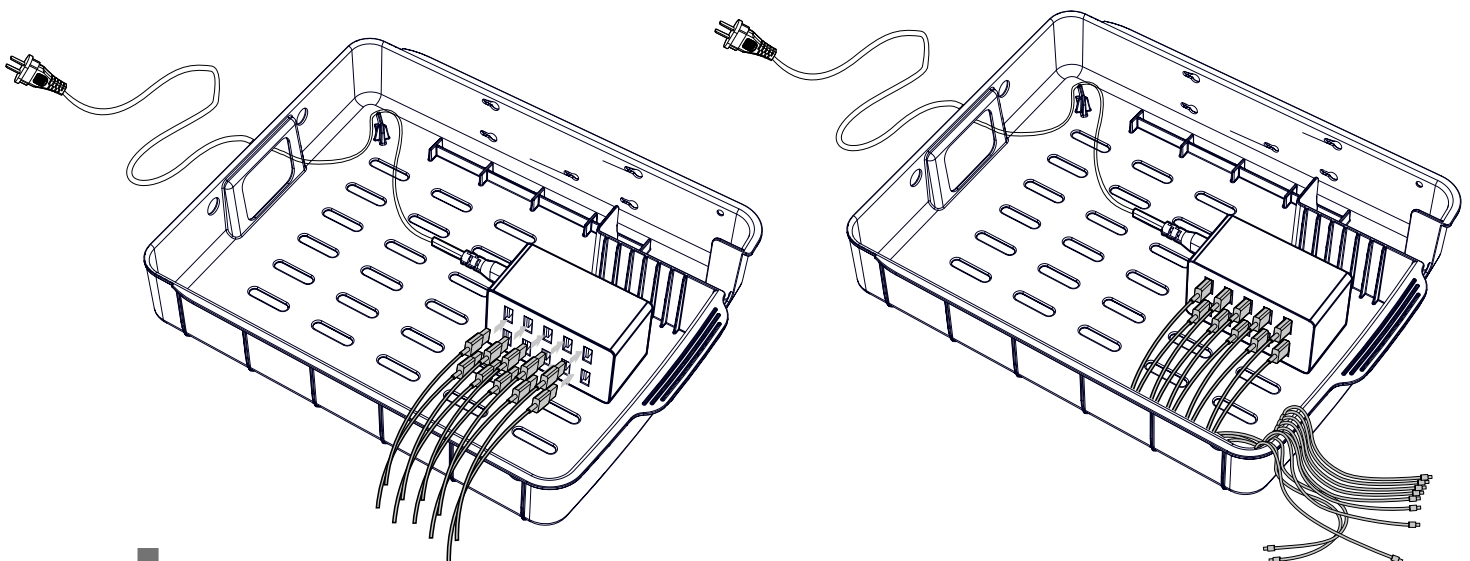


Setup USB Hub

- 1** Place USB Hub into Power Tray.
- 2** Route power cord around hook and out through back of Power Tray. Plug cord into back of USB hub.



- 3** Plug USB cables into USB Hub
- 4** Run USB cables to front of tray, leaving excess cable hanging out.

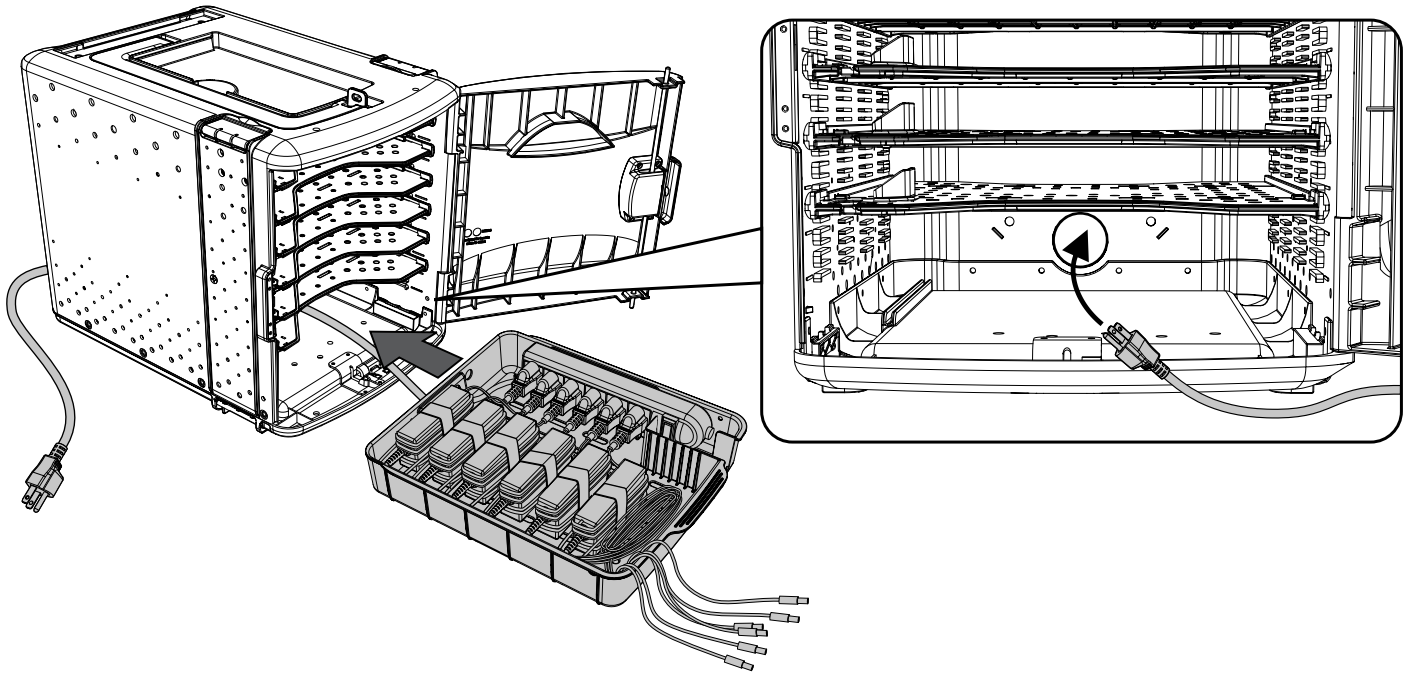


USB hub must be placed on side

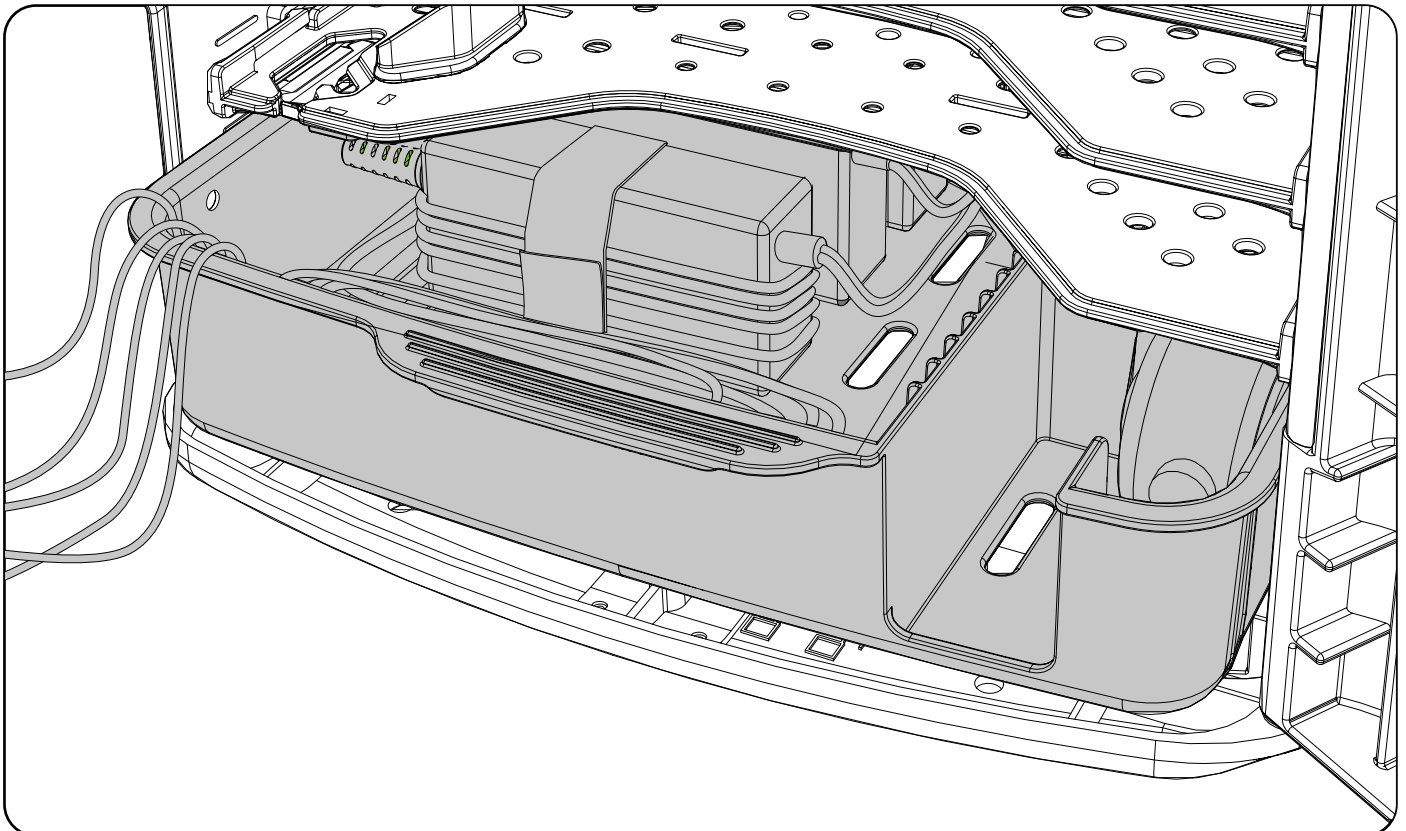


Position Power Tray for Cable Management

- 1 Feed Power Strip power cable through hole in back of tub

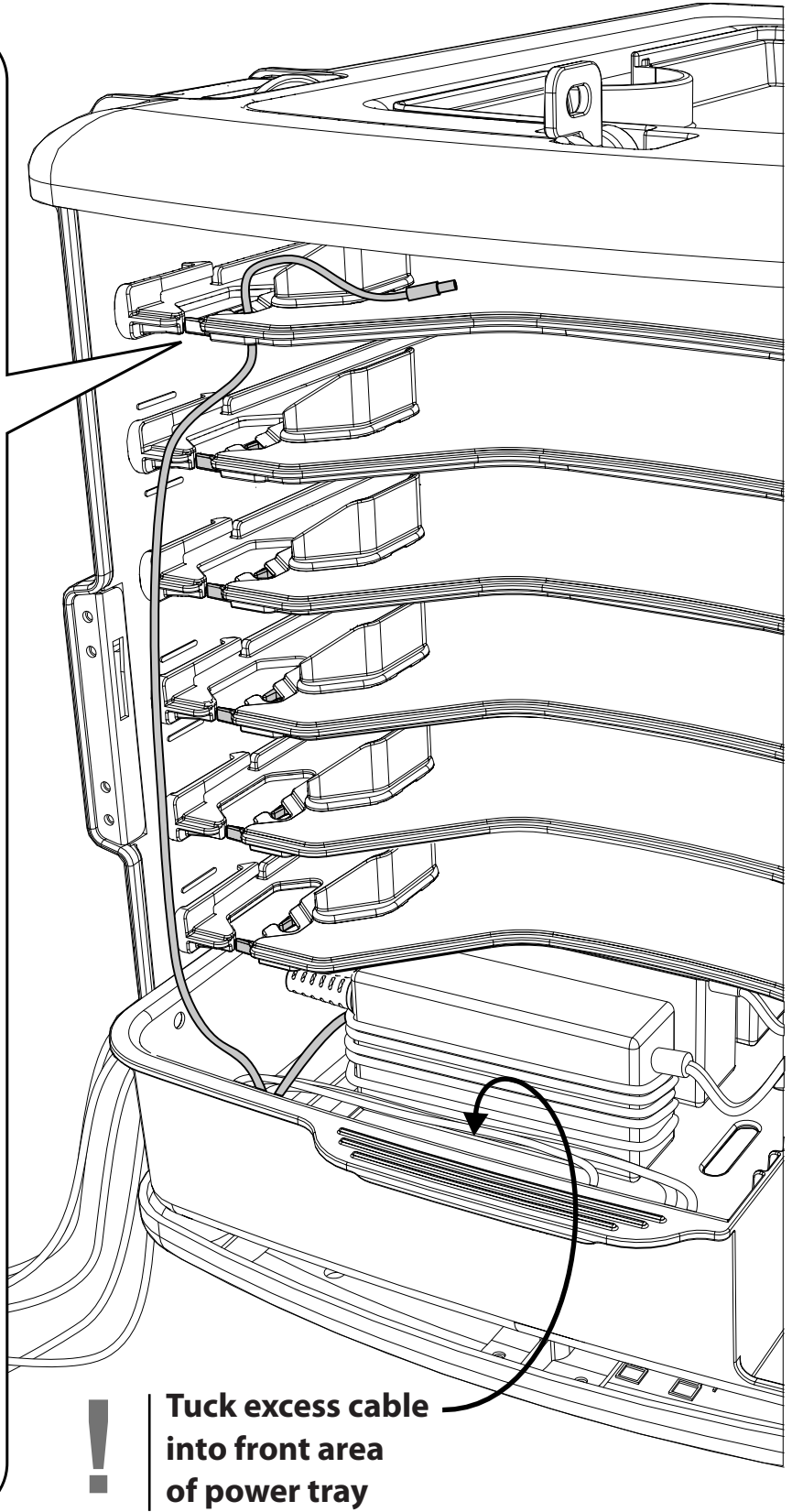
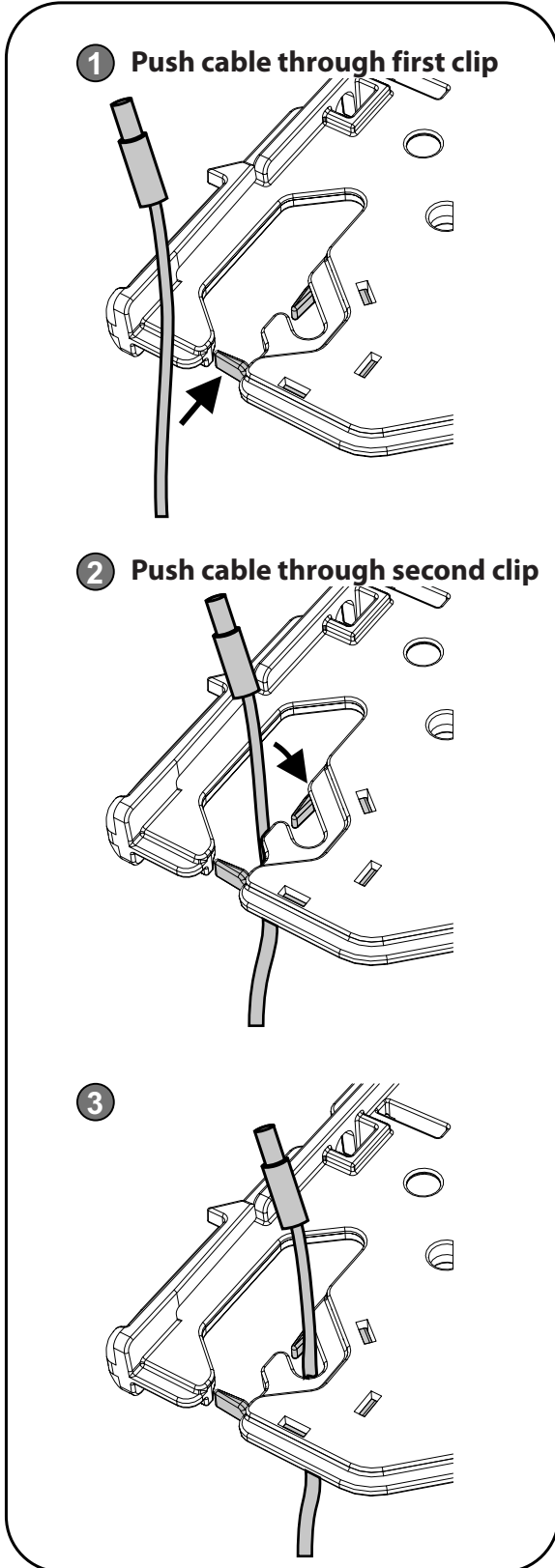


- 2 Partially slide Tray back into tub (leave a gap as shown below)



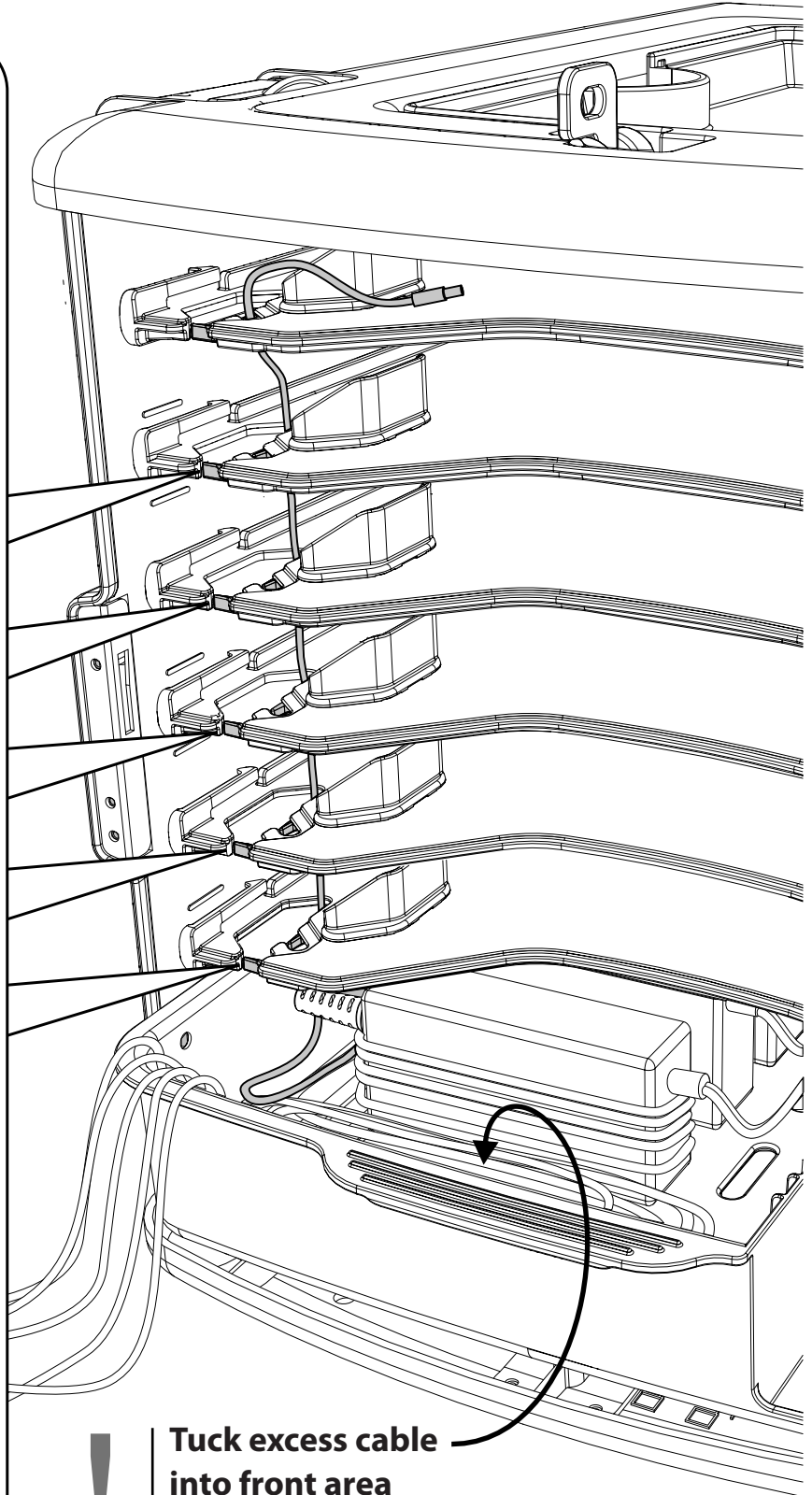
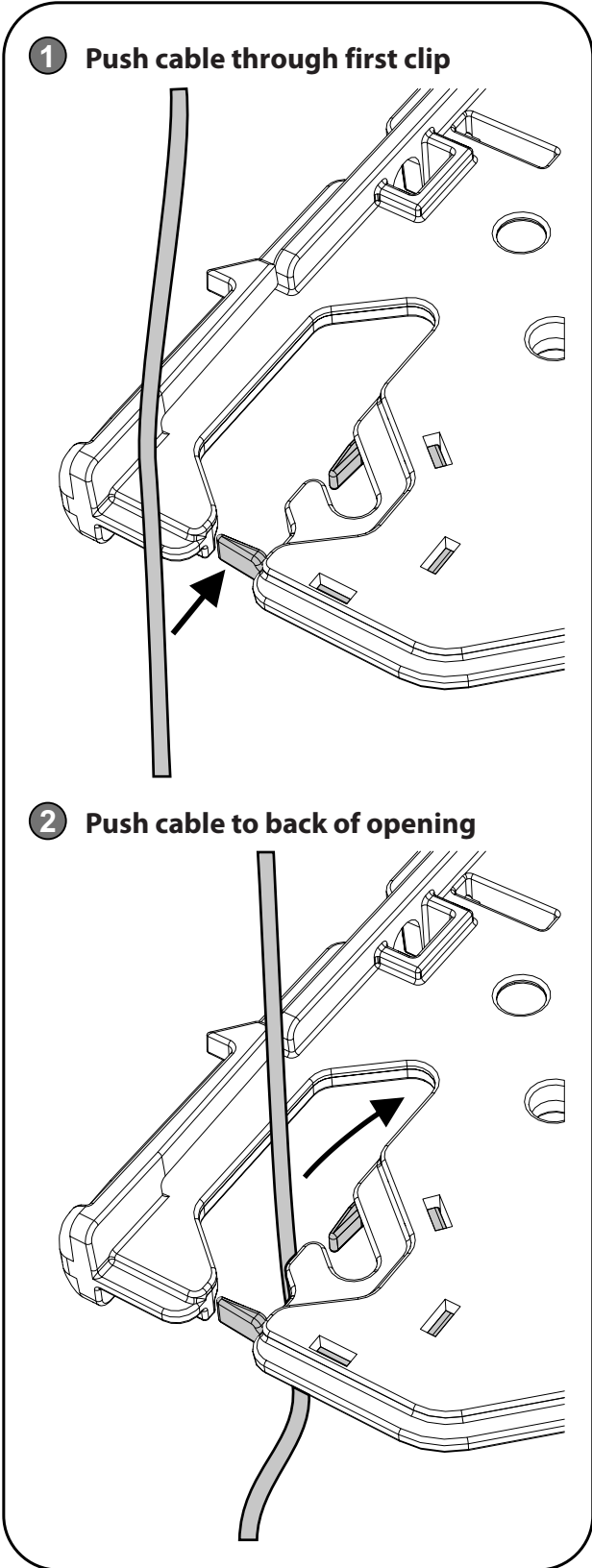
Feed first cable into cable management clip on top shelf

! The process is the same for USB cables



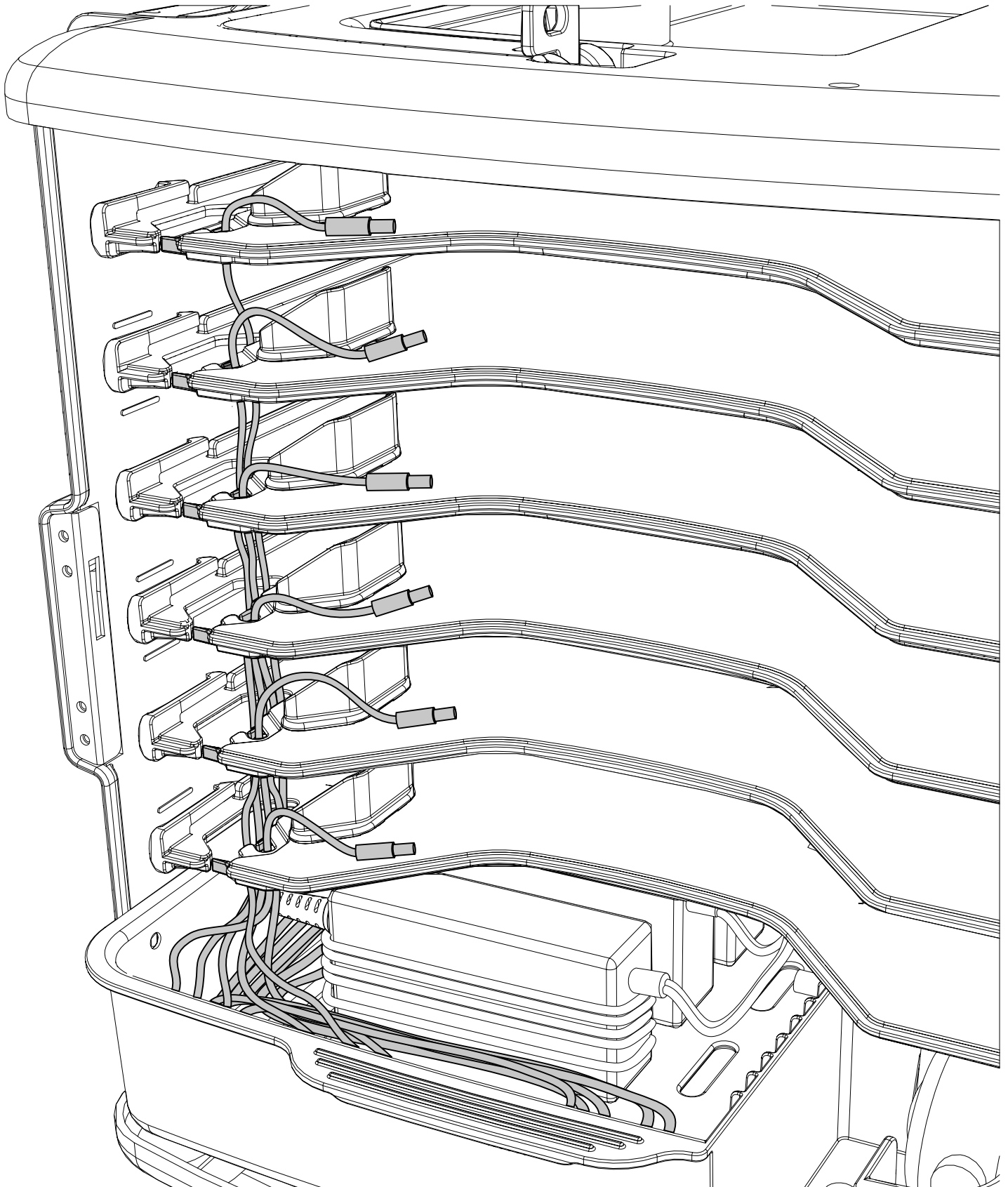
Continue inserting cable into first cable management clip on all remaining shelves

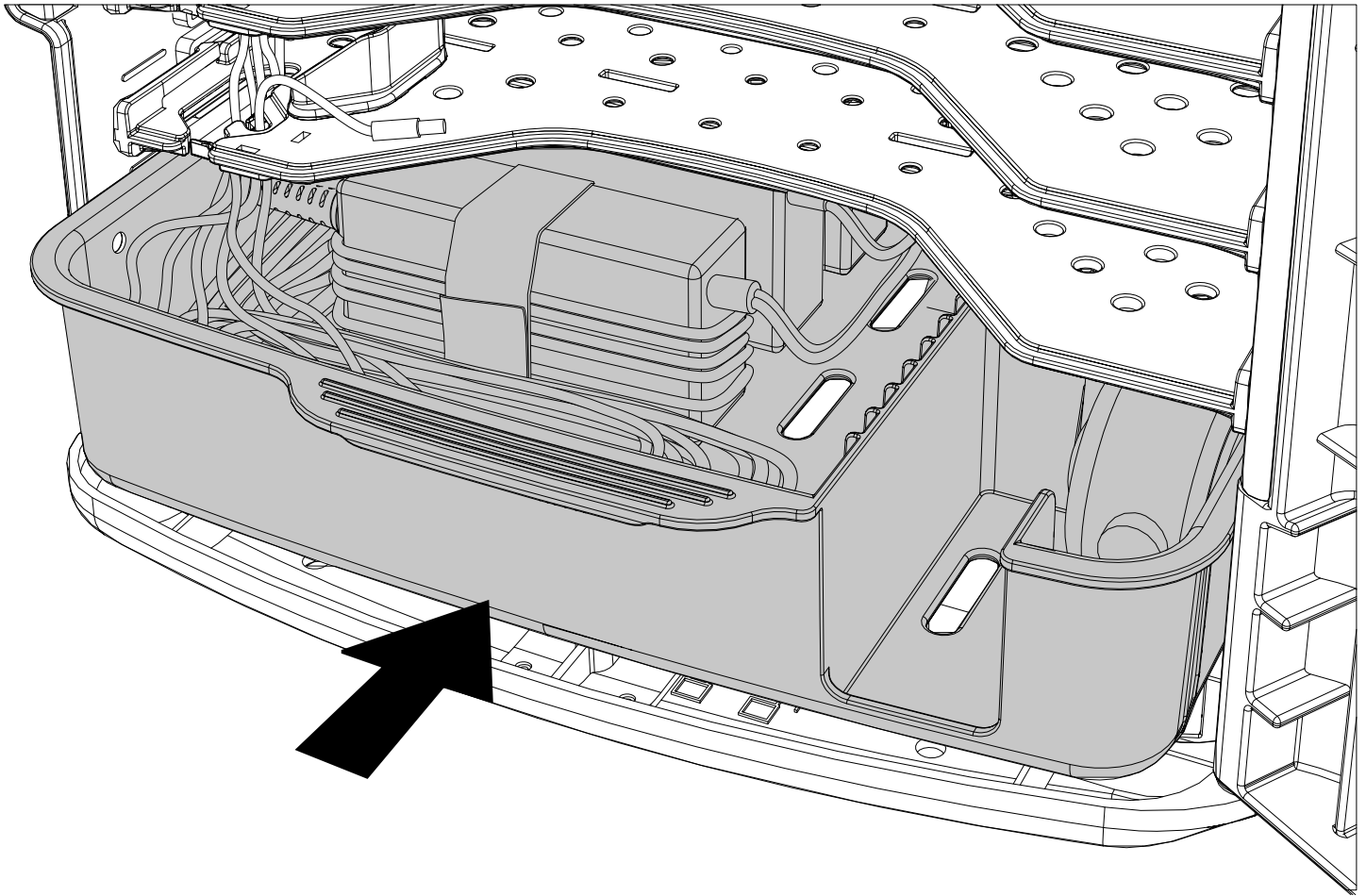
! The process is the same for USB cables



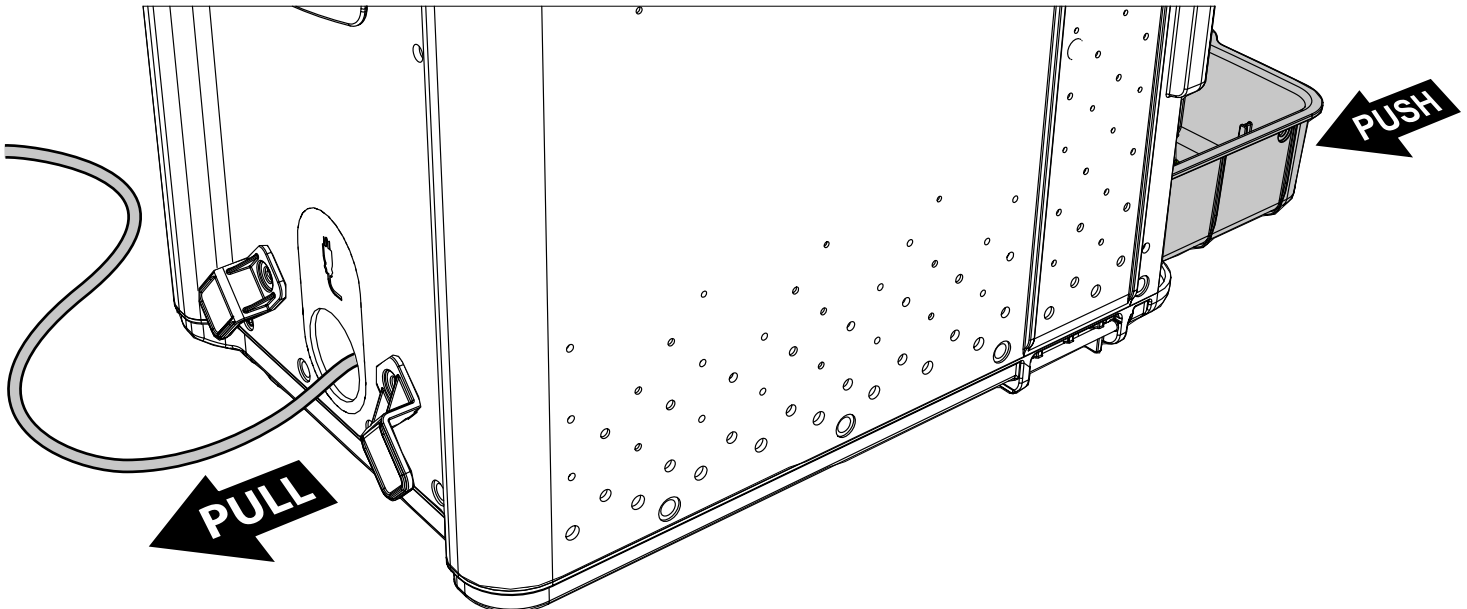
! Tuck excess cable into front area of power tray

Repeat Step 13A and 13B until all remaining cables are clipped into shelves (as shown)



Slide Tray all the way into the Tub

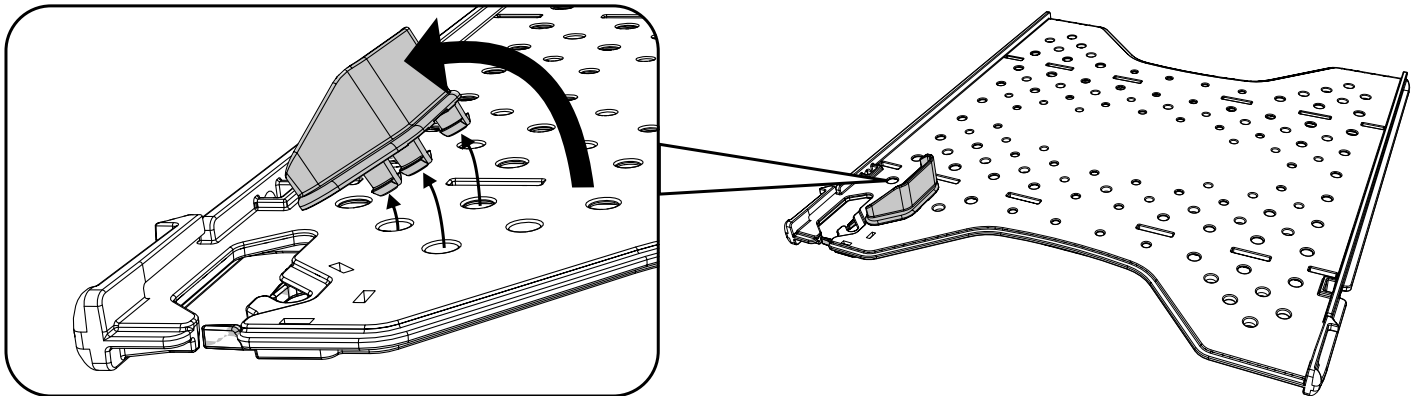
! When pushing the tray in, pull the cable to keep it out of the way of the tray



Insert your devices into Tech Tub[®]

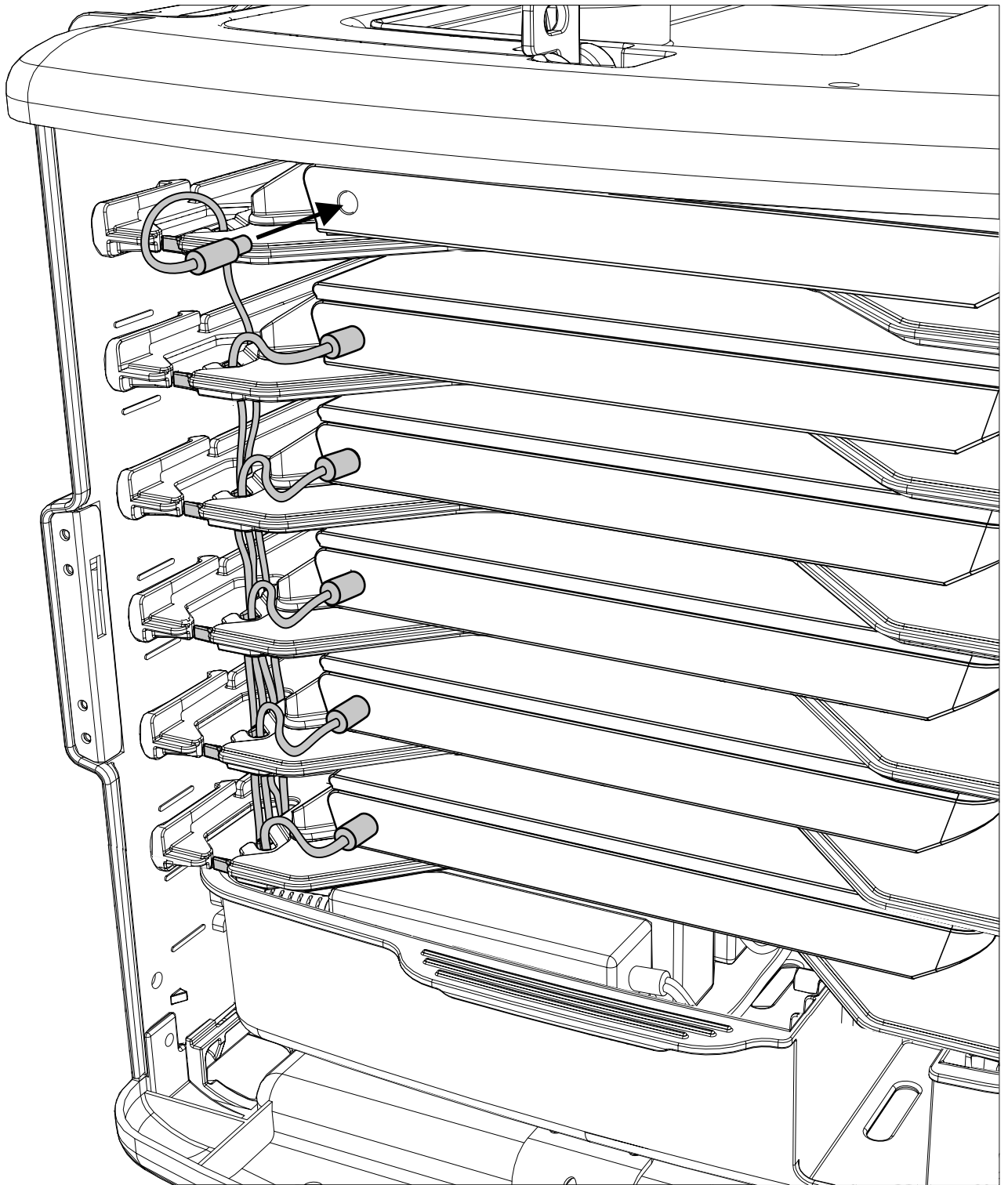


**Device Positioning Rails are removable if you require more space for larger devices.
To remove, push on the top edge and rotate up out of holes in shelf.
If you wish to discard Device Positioning Rails please recycle them.**



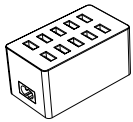
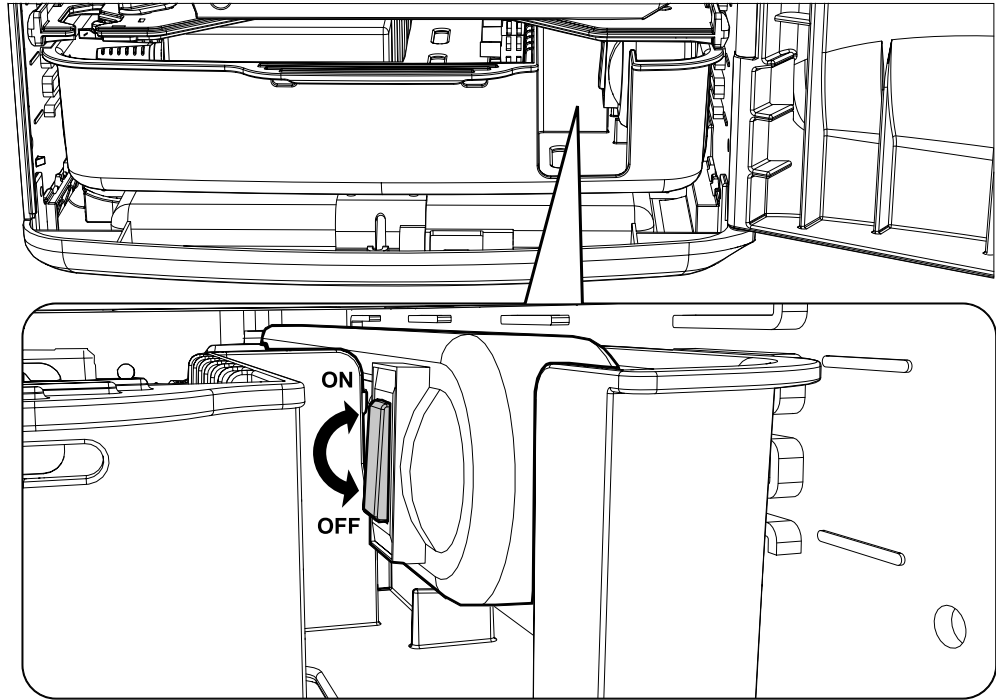
**Push devices in completely
to ensure cables don't
interfere with door**

Plug device power cable into each device



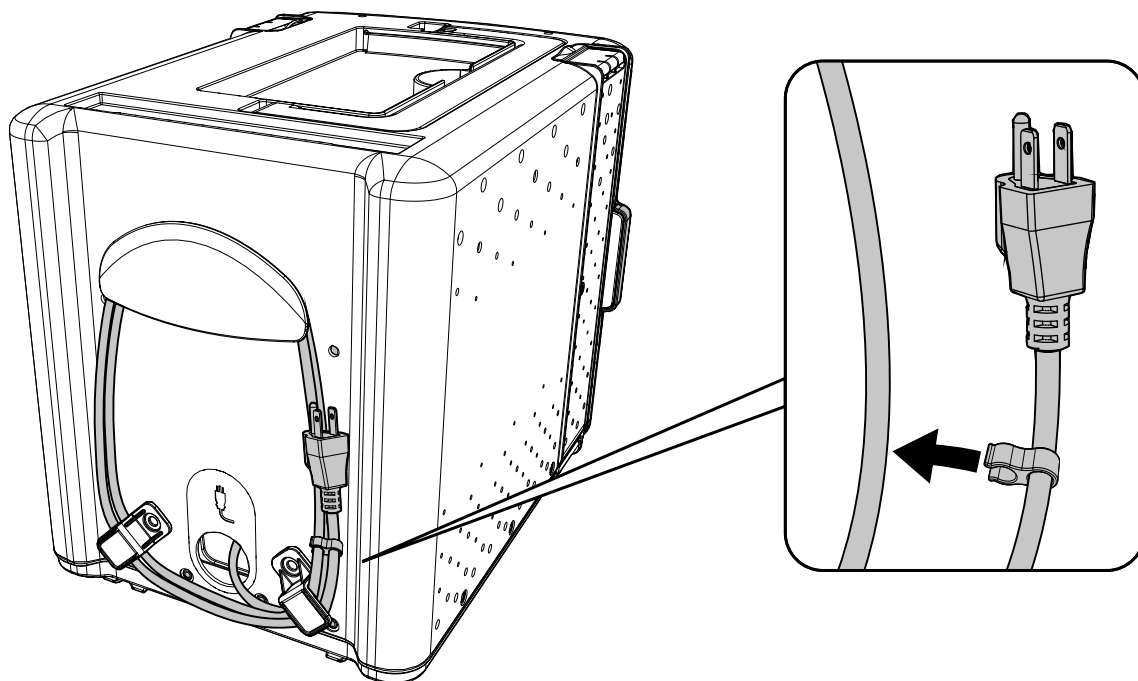
! Once step 16 is complete plug power strip or usb hub power cable into wall outlet

Turn on power strip via access hole on front of tray



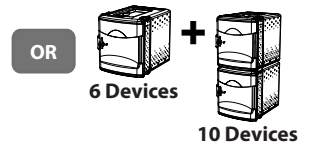
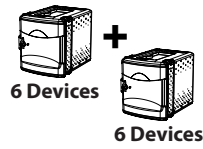
! There is no power switch on USB hub.

Wrap Power Strip power cable around cable hooks when moving Tech Tub²

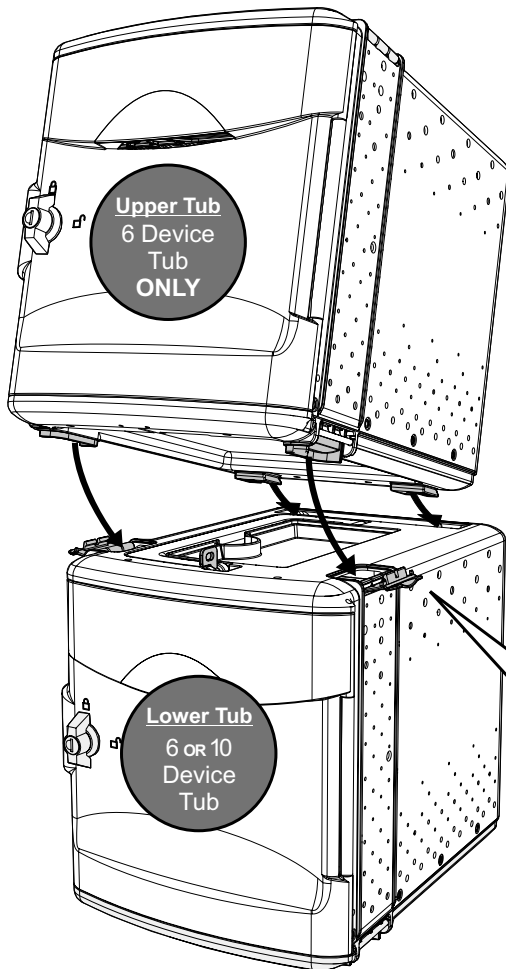




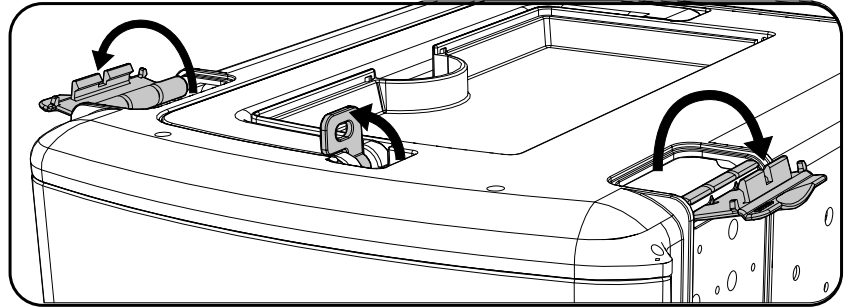
Connecting Tubs Together



Connect a 6 Device Tub to a 6 Device Tub or a 10 Device Tub



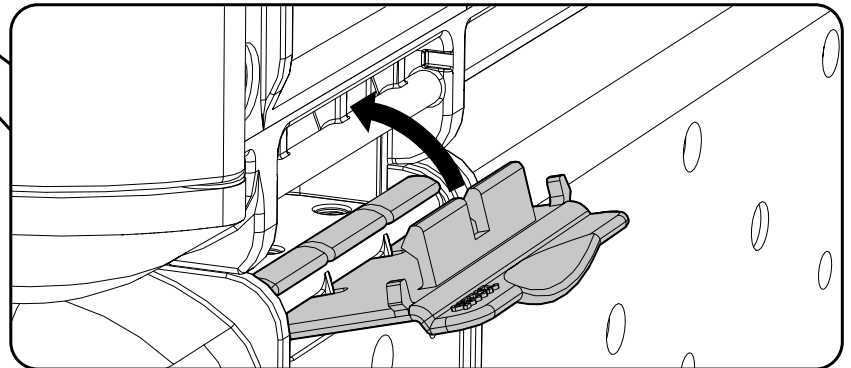
1 Flip up Locking Tab and Open side Flip Locks on lower tub



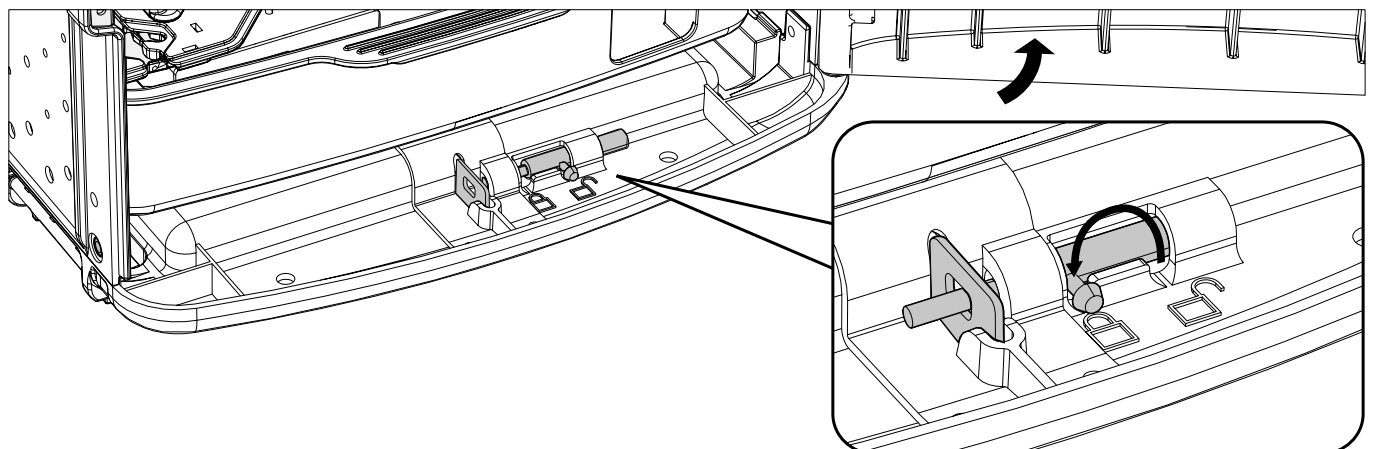
2 Insert back feet of upper tub into slot on top of lower tub

3 Insert front feet of upper tub into holes on top of lower tub

4 Connect upper and lower tub using side Flip Locks



5 Open the front door of upper tub and slide locking pin through metal tab



6 Close and lock front door of Tech Tub² to secure devices

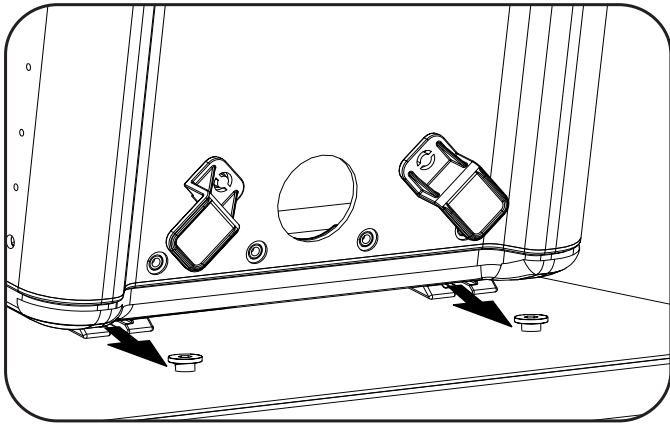


Surface Mounting Tech Tub²

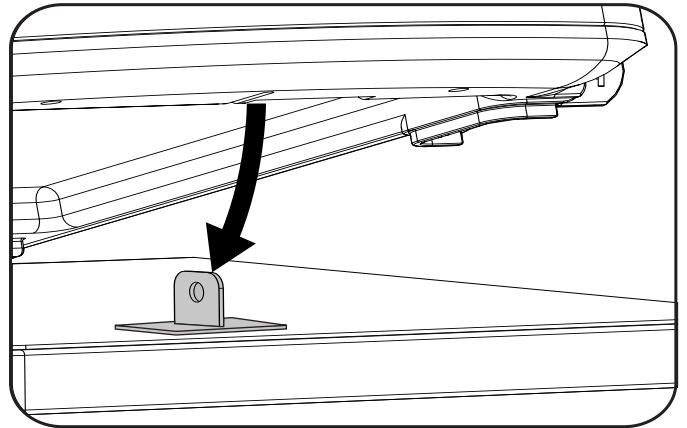
Lock Tub to surface using Locking Pin

! First, install surface mounting hardware using attached template (stapled to end of this guide) then complete steps below to secure your Tech Tub² onto surface

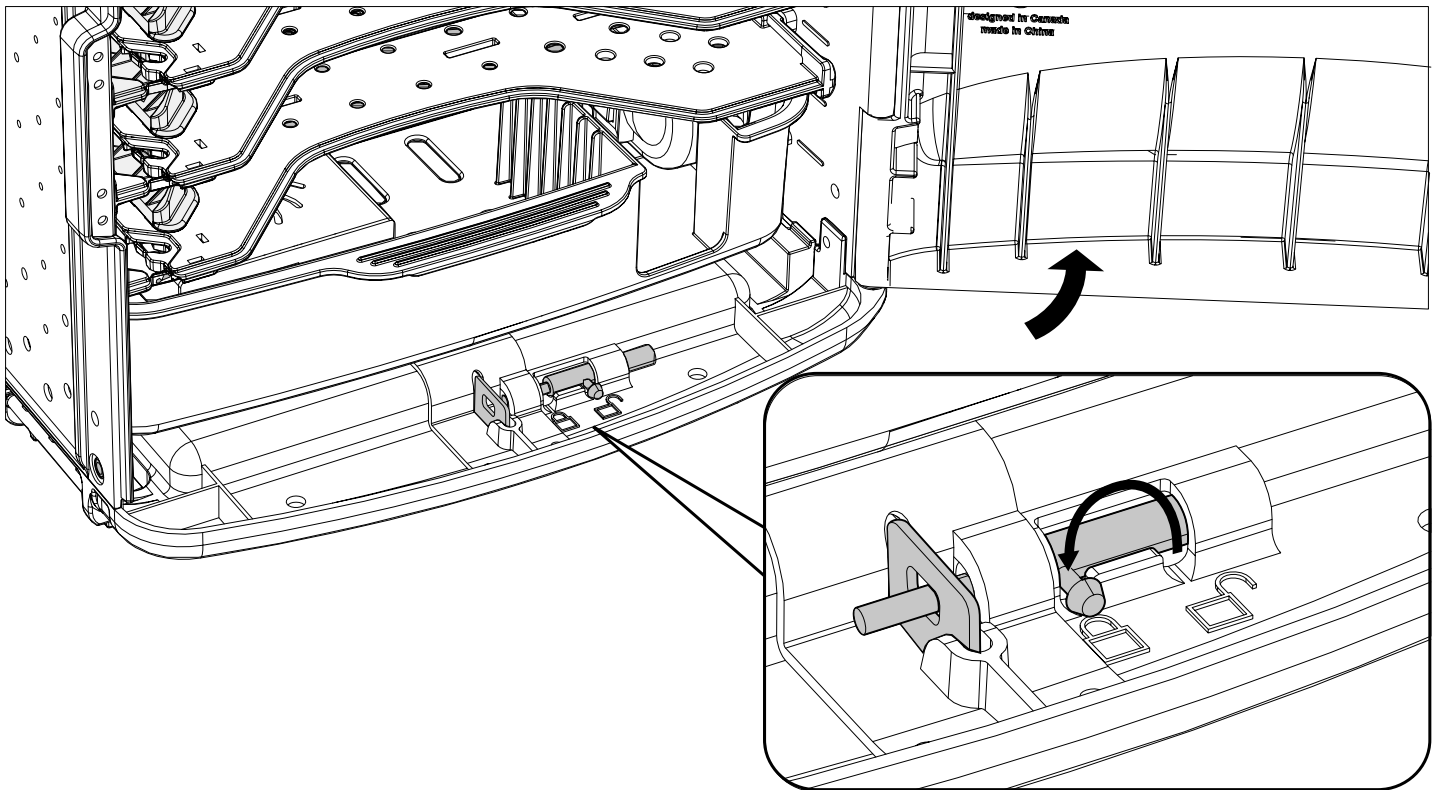
1 Slide rear feet of Tech Tub² onto the pins



2 Fit slot (front underside of tub) over metal tab



3 Open the front door and slide locking pin through metal tab



4 Close and lock front door of Tech Tub² to secure devices