

FTT718  
FTT724  
FTT726  
FTT732

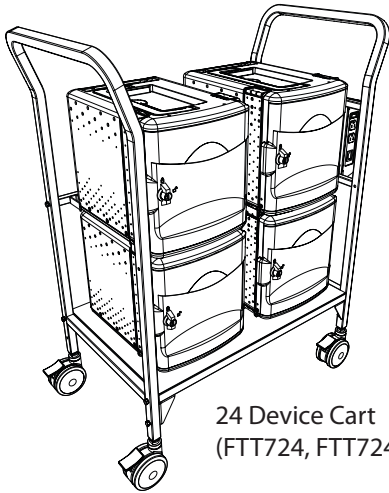
# Tech Tub2 Modular Cart



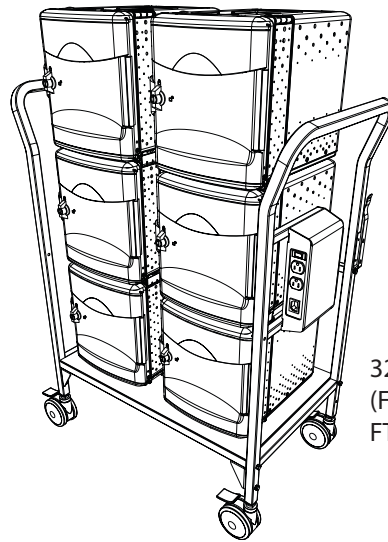
## Assembly Guide

Check out our other products online at [www.copernicused.com](http://www.copernicused.com)

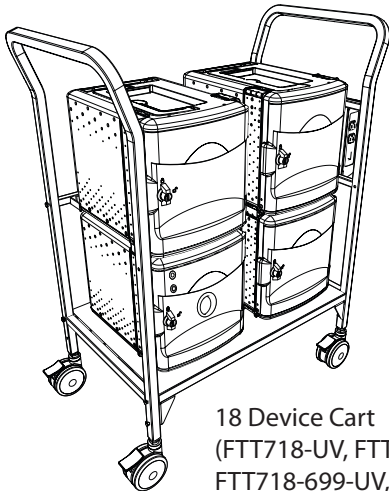
For assistance, please contact us by telephone at **1-800-267-8494** or email at [info@copernicused.com](mailto:info@copernicused.com).  
Have your packing slip ready for reference.



24 Device Cart  
(FTT724, FTT724-USB, FTT724-699)



32 Device Cart  
(FTT732, FTT732-USB  
FTT732-699)



18 Device Cart  
(FTT718-UV, FTT718-USB-UV,  
FTT718-699-UV, FTT718-699-UV-CAN)



26 Device Cart  
(FTT726-UV, FTT726-USB-UV,  
FTT726-699-UV, FTT726-699-UV-CAN)



Please Recycle

# Customer Service & Warranty Information

Dear Educator,

Thank you for purchasing the Tech Tub 2® Modular Cart. We hope it meets your expectations and you and your students enjoy using it at your school.

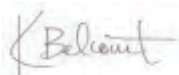
Every day we see and hear stories of teachers going above and beyond to help students thrive. Thank you so much for all you do – you are awesome, and you make a difference.

Thank you for inspiring us.

If you have any questions, concerns or ideas on how we can improve please let us know by contacting our Customer Solutions Ninjas at 1-800-267-8494 or [info@copernicused.com](mailto:info@copernicused.com).

Happy teaching,

Kaylyn Belcourt, President  
[kaylyn@copernicused.com](mailto:kaylyn@copernicused.com)



We do not inherit the earth from our ancestors, we borrow it from our children.

- NATIVE AMERICAN PROVERB

Change is the end result of all true learning.

- LEO BUSCAGLIA

What you leave behind is not what is engraved in stone monuments, but what is woven into the lives of others.

- PERICLES

Education is the most powerful weapon which you can use to change the world.

- NELSON MANDELA

## For missing parts and other issues regarding your product:

Please contact Customer Service, where we will be happy to help.  
Telephone: 1-800-267-8494, Monday - Friday 8:00am - 4:30 pm EST  
Email: [info@copernicused.com](mailto:info@copernicused.com)

Need Support?  
Have a Question?



Email Customer Service

Check out some of our other great products!



[www.copernicused.com](http://www.copernicused.com)

## My devices aren't working, who should I call?

Please contact the reseller that you bought the product from.  
Reseller information can be found on your packing slip.

**Lifetime**  
Tech Tub 2 & Cart  
Components  
Warranty

### Register your Product

Registering your warranty ensures we have all the information we need to make any future warranty claims quick and easy. Please visit [www.copernicused.com/warranty](http://www.copernicused.com/warranty) and complete the form within 10 business days from product assembly. By registering your product, you will be entered into a draw to win Copernicus product.

**Lifetime**  
UV Tech Tub  
Component  
Warranty

### Make a Warranty Claim

We offer a Lifetime Warranty on almost everything we make. Please call **1-800-267-8494** or email [info@copernicused.com](mailto:info@copernicused.com) to start your warranty claim. Proof of purchase will be required upon warranty claim (i.e. copy of invoice).

**1 Year**  
UV Bulbs &  
Electrical  
Components

# Tips for Assembly

## Before You Begin:

- Lay out and identify all of the included parts.
- The hardware has been packed according to step in one bag.
- Read the assembly guide over once to familiarize yourself with them.

## As You Assemble the Unit:

- Follow the steps in sequence.
- Before beginning each step, find the part(s) that you need for that step.
- The title of each step states what you will be doing. Review the text and the pictures as you build the unit.

## Watch for These Helpful Symbols:



2-Person Task

For safety, please have someone help you when working on steps displaying this symbol.



The symbol denotes a step needing extra attention to ensure it is done correctly.



# Important Information! Warning!

Please read the warnings below for important safety information regarding your product. Failure to read these warnings or to follow the instructions below could result in personal injury or damage to your product that could void your warranty.



### Small Parts

In its unassembled state, this product contains parts that can be hazardous to small children. This product should be assembled by an adult.



### Adult Supervision

This product is to be used under the supervision of an adult.



### No Maintenance

This product does NOT require maintenance. Repairs should only be performed by authorized personnel. Please contact customer service if repairs are required.



### Climb Hazard

Do not climb on, hang from or suspend objects from any components of your product unless otherwise specified.



### Indoor Use Only

This product is intended for indoor commercial use only. To reduce the risk of fire or electric shock, do not expose this product to rain or moisture. The internal components are not sealed from the environment.



### Power Strip Specifications

Read your power strip electrical specifications. Only plug in devices that are approved for use with this power strip. Connect the supplied power strip directly to a wall outlet. Do not connect to another power strip or use an extension cord. Turn off power strip before unplugging. Unplug when not in use.



### Electronic Equipment

Read the electrical specifications of any electronic equipment you are using with your Copernicus products. Failure to read these specifications and follow their instructions could result in damage to your equipment or personal injury.



### Cable Trip Hazard

Ensure that any cables extending across the floor to your product are properly bundled and marked to avoid tripping or falling which may lead to personal injury.



### Electrical Shock

Do not install or use the electrical components of this unit during a lightning storm.



### Star Washers

Star washers are critical components for electrical safety. Star washers must be included and fasteners fully tightened to prevent the risk of electric shock.

# Tech Tub2 Modular Cart - Box breakdown

Before unboxing and assembling your Modular Cart System, make sure you have all the boxes needed for the model you ordered. Use the table below to check the box SKUs and quantities that should be shipped with each model.

The diagrams on the following pages shows what the contents of each box should be.

If you are missing any boxes or parts, please contact our customer service team at 1-800-267-8494.

Model	Box SKUs	Box Quantity
FTT718-UV	FTT401-0	1
	FTT700	2
	FTT700-F	1
	FTT-UV-A	1
	<b>Total</b>	<b>5</b>
FTT718-699-UV	FTT401-0	1
	FTT699	2
	FTT699-A	1
	FTT-UV-A	1
	<b>Total</b>	<b>5</b>
FTT718-USB-UV	FTT401-0	1
	FTT700-C	2
	FTT700-G	1
	FTT-UV-A	1
	<b>Total</b>	<b>5</b>
FTT718-USB-UV-CAN	FTT401-0	1
	FTT700-C	2
	FTT700-G	1
	FTT-UV-A	1
	<b>Total</b>	<b>5</b>
FTT724	FTT401-0	1
	FTT700	3
	FTT700-F	1
	<b>Total</b>	<b>5</b>
FTT724-699	FTT401-0	1
	FTT699	3
	FTT699-A	1
	<b>Total</b>	<b>5</b>
FTT724-USB	FTT401-0	1
	FTT700-C	3
	FTT700-G	1
	<b>Total</b>	<b>5</b>

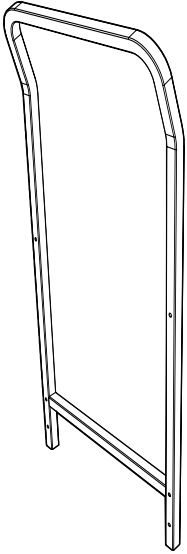
Model	Box SKUs	Box Quantity
FTT726-UV	FTT401-0	1
	FTT-UV-A	1
	FTT700-F	1
	FTT1100	2
	<b>Total</b>	<b>5</b>
FTT726-699-UV	FTT401-0	1
	FTT-UV-A	1
	FTT699-A	1
	FTT1112	2
	<b>Total</b>	<b>5</b>
FTT726-USB-UV	FTT401-0	1
	FTT-UV-A	1
	FTT700-G	1
	FTT1100-USB	2
	<b>Total</b>	<b>5</b>
FTT726-USB-UV-CAN	FTT401-0	1
	FTT-UV-A	1
	FTT700-G	1
	FTT1100-USB	2
	<b>Total</b>	<b>5</b>
FTT732	FTT401-0	1
	FTT700	1
	FTT700-F	1
	FTT1100	2
	<b>Total</b>	<b>5</b>
FTT732-699	FTT401-0	1
	FTT699	1
	FTT699-A	1
	FTT1112	2
	<b>Total</b>	<b>5</b>
FTT732-USB	FTT401-0	1
	FTT-700-C	1
	FTT700-G	1
	FTT1100-USB	2
	<b>Total</b>	<b>5</b>

# Tech Tub2 Modular Cart

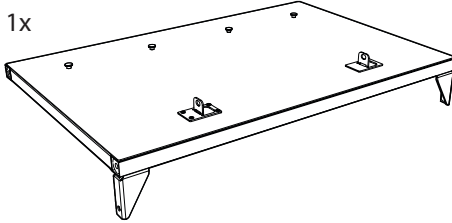
Before beginning, you should have:

## Contents - FTT401-0

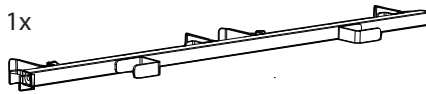
Left Handle  
1x



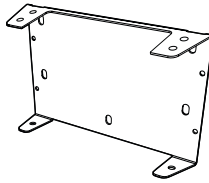
Cart Base  
1x



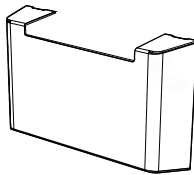
Cable Hook Stretcher  
1x



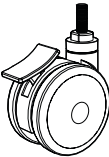
Power Timer  
Mounting Bracket  
1x



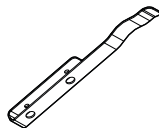
Power Timer  
Cover  
1x



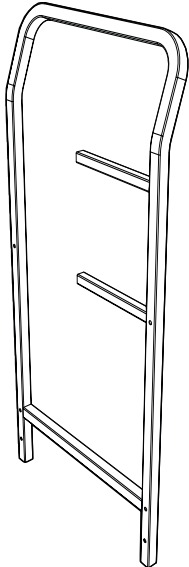
4" Twin Wheel  
Locking Caster  
4x



Spring Steel  
Cable Hook  
1x













Right Handle  
1x



In Box 1

## Hardware Actual Size

- (A) Hex Bolt - M6 x 40mm  
6x 
- (B) Hex Bolt - M6 x 35mm  
2x 
- (C) Hex Bolt - M5 x 15mm  
4x 
- (D) Allen Key Screw - M5 x 15mm  
2x 
- (E) M6 Star Washer  
18x 
- (F) M12 Lock Washer  
4x 
- (G) M12 Flat Washer  
4x 
- (H) M5 Thumb Nut  
4x 
- (I) M6 x 10mm  
Thumb Screw  
2x 
- (J) Zip Tie  
2x 

Caster Wrench  
Not to Scale  
1x



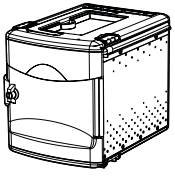
8mm/10mm  
Hex Wrench  
Not to Scale  
1x



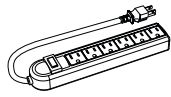
Allen Key  
Not to Scale  
1x



FTT699



Tech Tub 2®  
6 Device  
Main Body  
1x



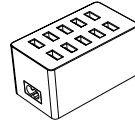
6 outlet  
Power Strip  
(25515) 1x



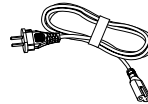
Adapter  
extension  
cable 6x

FTT700-G

Tech Tub 2®  
6 Device  
Main Body  
1x

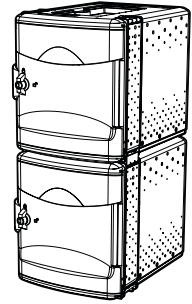


USB Hub  
(2551441)  
1x

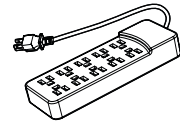


Power Cord  
1x

FTT1100

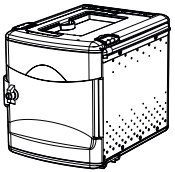


Tech Tub 2®  
10 Device  
Main Body  
1x

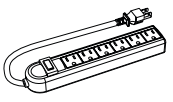


10 outlet  
Power Strip  
(255159)  
1x

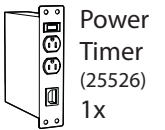
FTT699-A



Tech Tub 2®  
6 Device  
Main Body  
1x



6 outlet  
Power Strip  
(25515)  
1x



Power  
Timer  
(25526)  
1x

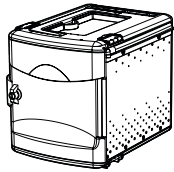


Adapter  
extension  
cable 6x

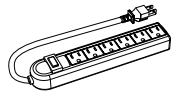


15' Power  
Timer Cable  
1x

FTT700



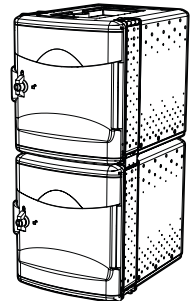
Tech Tub 2®  
6 Device  
Main Body  
1x



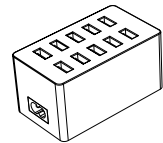
6 outlet  
Power Strip  
(25515)  
1x

15' Power  
Timer Cable  
1x

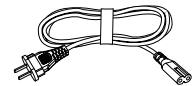
FTT1100-USB



Tech Tub 2®  
10 Device  
Main Body  
1x

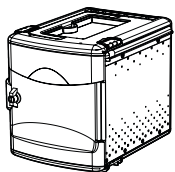


USB Hub  
(2551441)  
1x

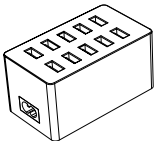


Power Cord  
x1

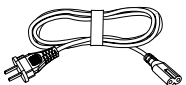
FTT700-C



Tech Tub 2®  
6 Device  
Main Body  
1x

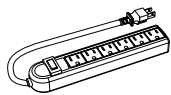


USB Hub  
(2551441)  
1x



Power Cord  
x1

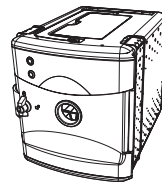
FTT700-F



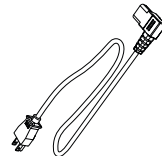
Tech Tub 2®  
6 Device  
Main Body  
1x

6 outlet  
Power Strip  
(25515)  
1x

FTT-UV-A



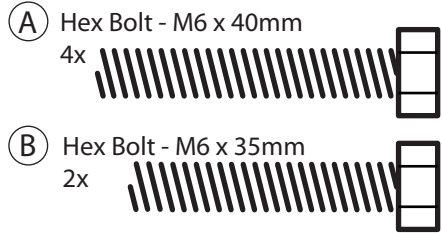
UV Tech Tub  
1x



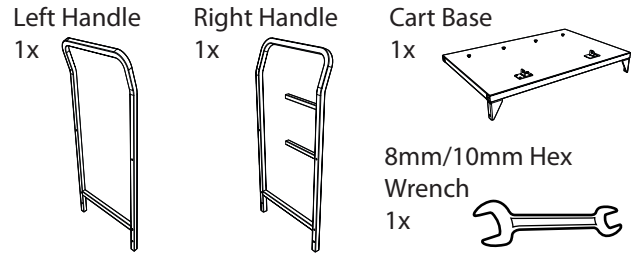
Power Cord  
(25528)  
1x

1

Actual Size:



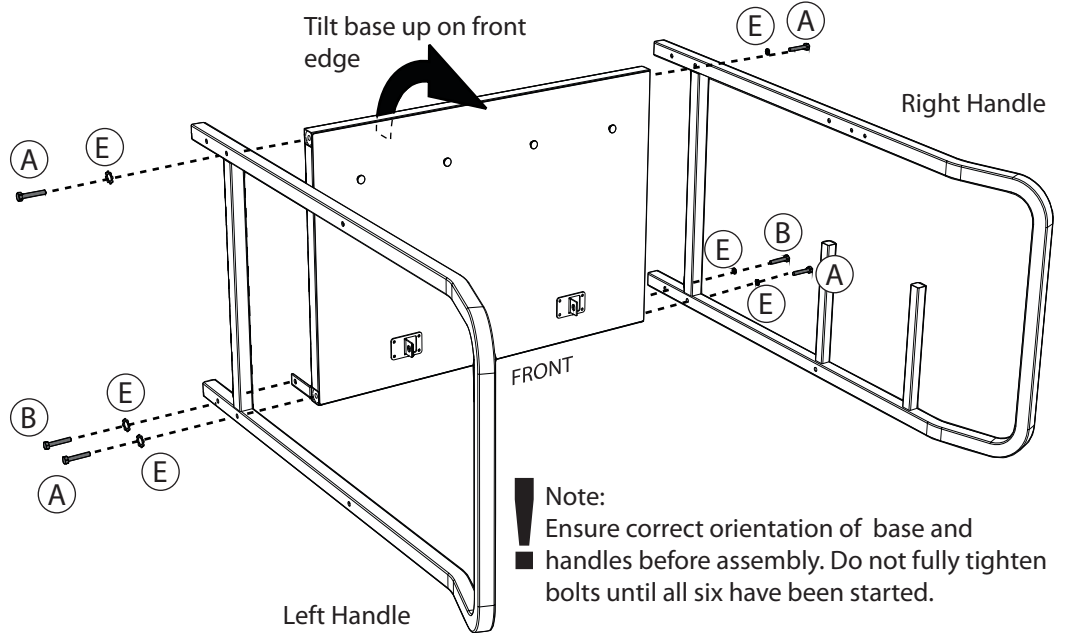
You will need: (Not to Scale)



### Attach Left Handle and Right Handle to Cart Base

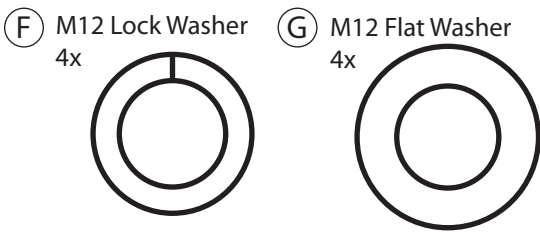
**!** (E) M6 Star Washer  
6x

Please note, star washers are critical components for electrical safety. Star washers must be included and fasteners fully tightened to prevent the risk of electric shock.

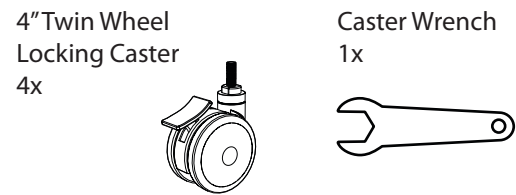


2

Actual Size:

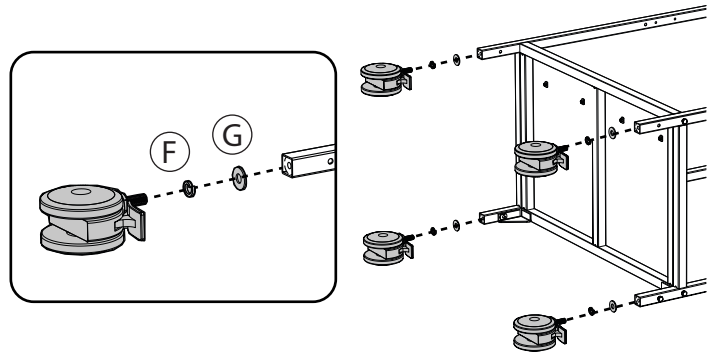
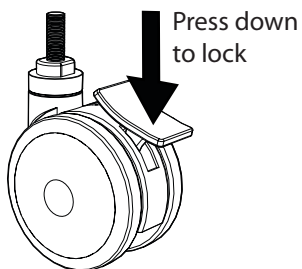


You will need: (Not to Scale)



### Attach Casters to cart

**★** Lock the casters before installation so you can quickly thread them into the ends of the tube by hand. Use the caster wrench to finish tightening them completely.



**!** Note:  
Return cart to upright position once casters are installed. Check casters every 6 months and tighten as needed.

3

Actual Size:

(A) Hex Bolt - M6 x 40mm  
2x

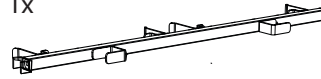


(E) M6 Star Washer  
2x



You will need: (Not to Scale)

Cable Hook Stretcher  
1x



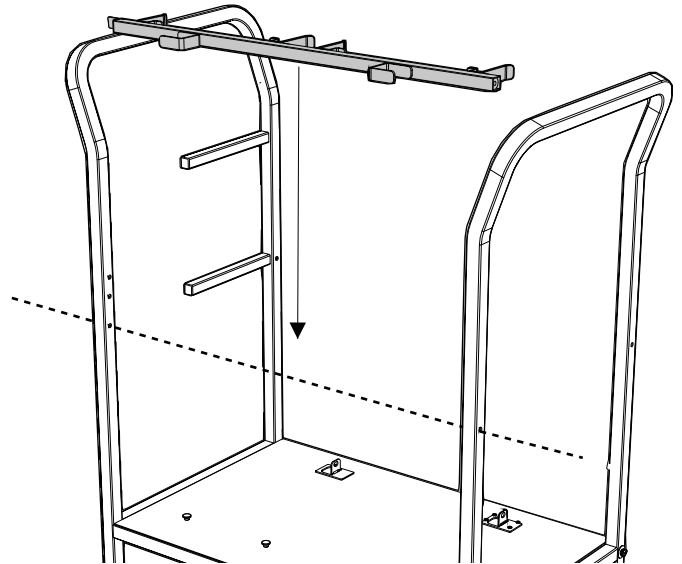
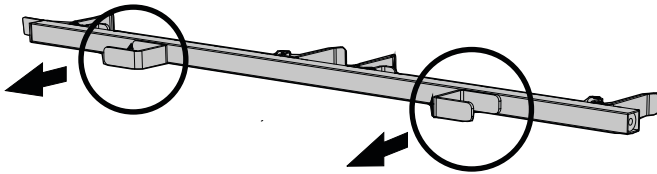
8mm/10mm Hex  
Wrench  
1x



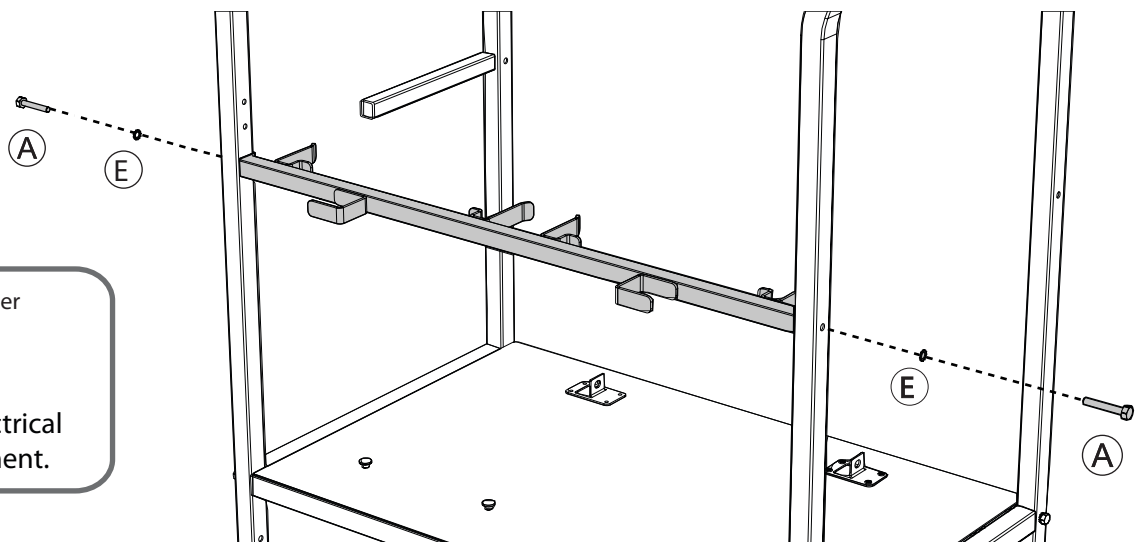
## Fasten Cable Hook Stretcher to Handles

1 Position cable hook stretcher so it aligns with holes on handles

**!** Note:  
Ensure cable hooks point toward back of cart.



2 Fasten cable hook stretcher to handles



(E) M6 Star Washer  
2x



**!** Important electrical  
safety component.



4

Actual Size:

(C) Hex Bolt - M5 x 15mm  
4x



(H) M5 Thumb Nut  
4x

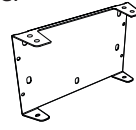


(E) M6 Star Washer  
8x

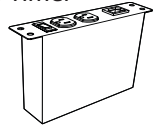


You will need: (Not to Scale)

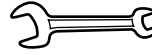
Power Timer  
Mounting  
Bracket  
1x



Power Timer  
1x



8mm/10mm Hex  
Wrench  
1x



**Note:**  
Power Timer will be shipped  
inside one of the Tech Tub boxes

## Install Power Timer

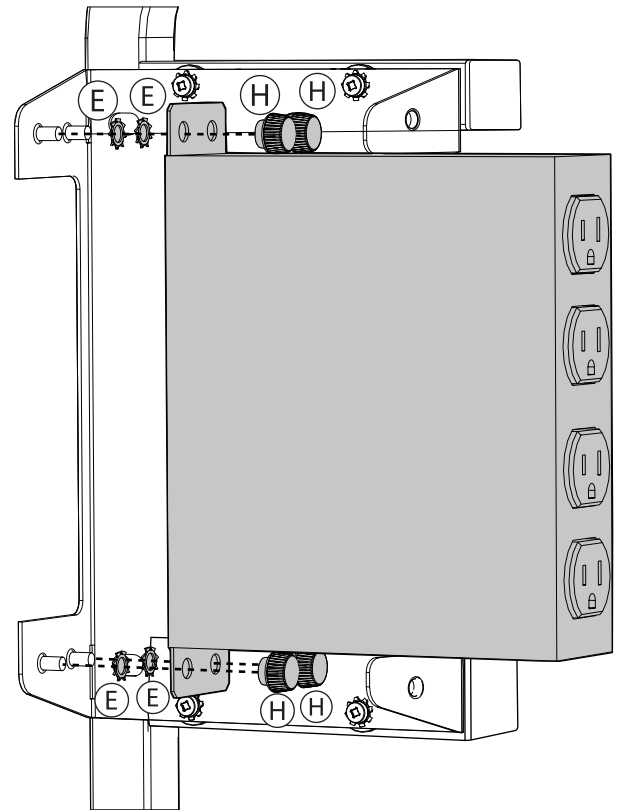
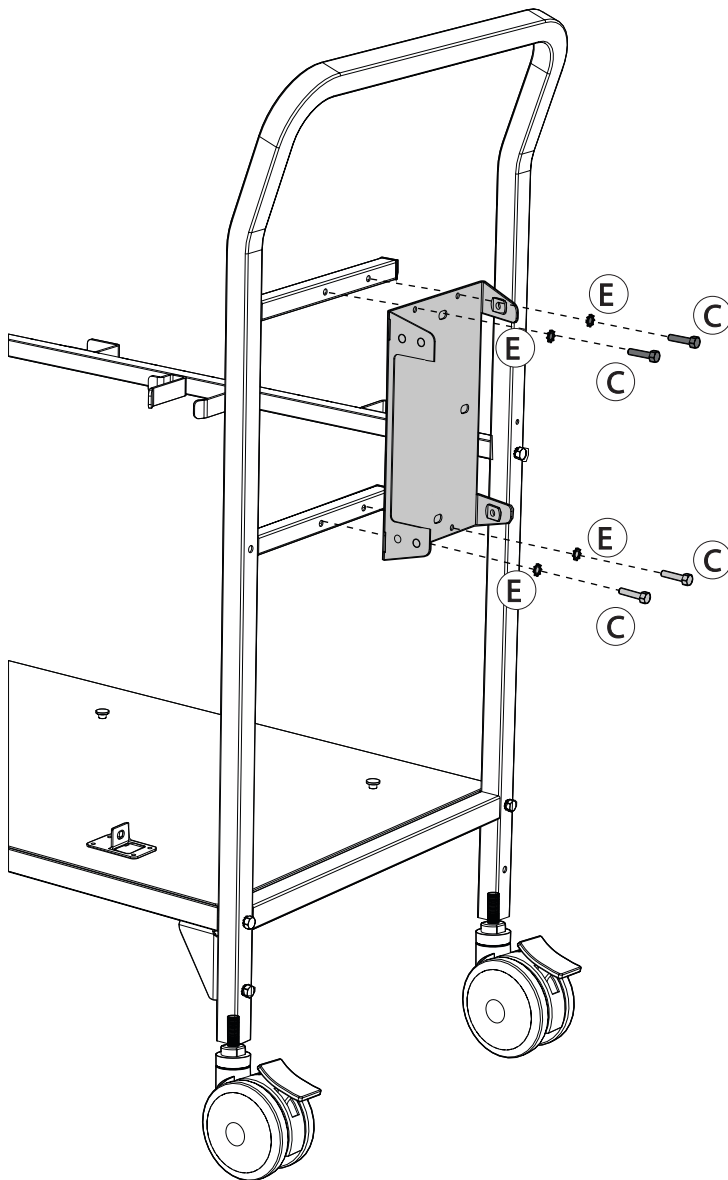
1 Fasten mounting bracket to right handle

2 Fasten power timer to mounting bracket

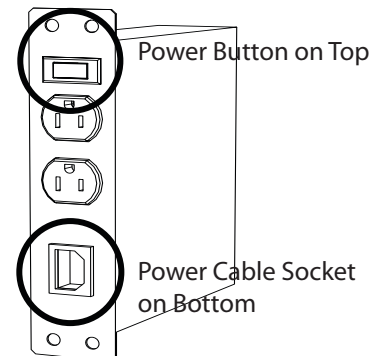


Important electrical  
safety component.

(E) M6 Star Washer  
8x



**Note:**  
Ensure the power timer  
is mounted in the  
correct orientation.



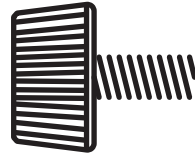
5

Actual Size:

(E) M6 Star Washer  
2x

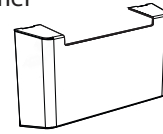


(I) M6 x 10mm Thumb Screw  
2x



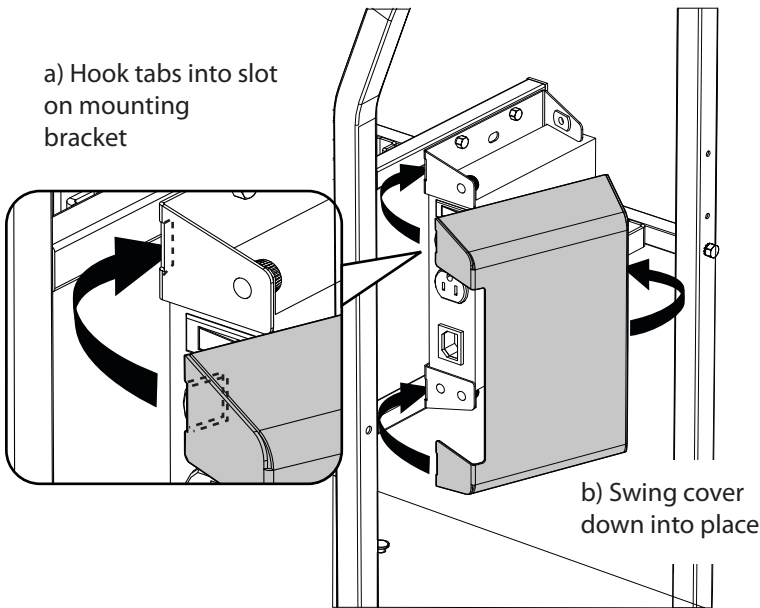
You will need: (Not to Scale)

Power Timer  
Cover  
1x

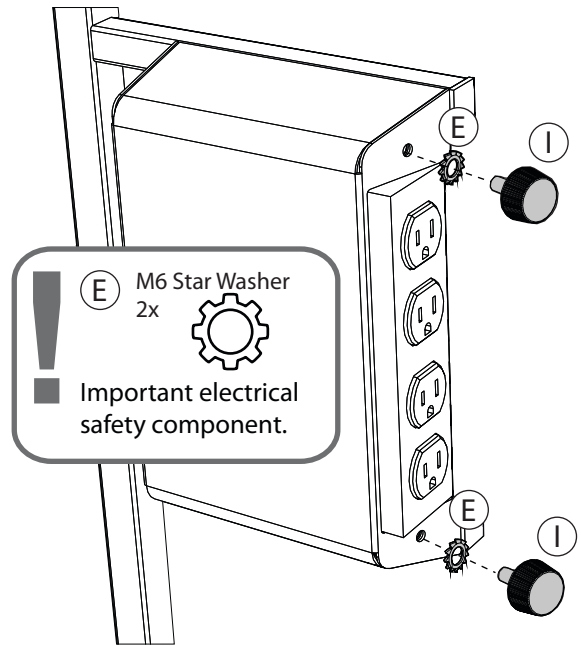


### Install Power Timer

1 Hook power timer cover onto mounting bracket



2 Fasten power timer cover to mounting bracket



6

Actual Size:

(D) M5 15mm  
2x



You will need: (Not to Scale)

Spring Steel  
Cable Hook  
1x

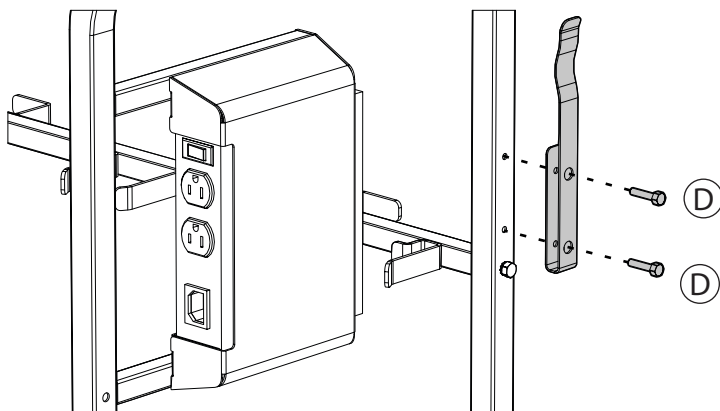


Allen Key  
1x



### Install Spring Steel Cable Hook

Fasten to right handle at the back



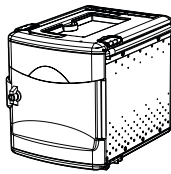
! Before proceeding to the next step please check the entire assembly for loose parts; tighten all casters, bolts, screws and nuts.

Tighten all casters using supplied caster wrench.

Keep wrench with unit. Casters must be tightened every 6 months for proper maintenance.

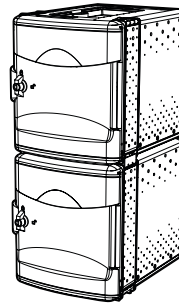
# 7

You will need: (Not to Scale)



Tech Tub<sup>2</sup>  
6 Device  
2x

OR



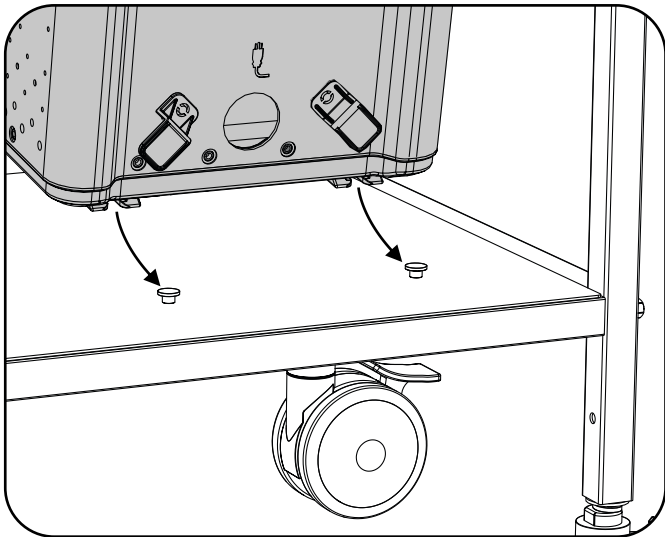
Tech Tub<sup>2</sup>  
10 Device  
2x

## Install Tech Tubs onto cart

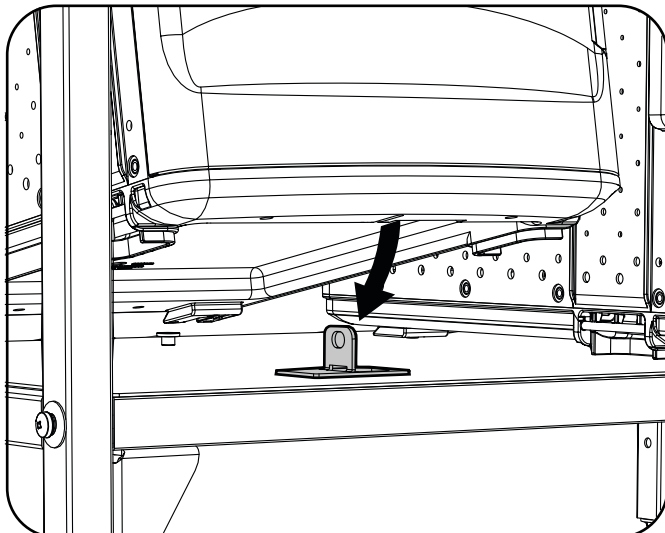
**!** Note: Please follow the assembly instructions that accompanied your Tech Tub<sup>2</sup>® and UV Tech Tub to get it ready for installation on the cart.

**★** Lock casters before installing tubs onto cart.

**1** Hook rear feet onto pins on the cart base

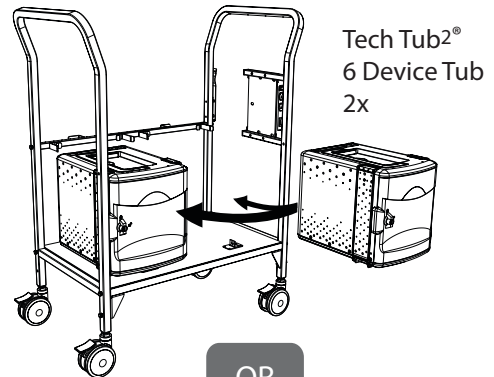


**2** Lower front of tub onto metal tab on cart base



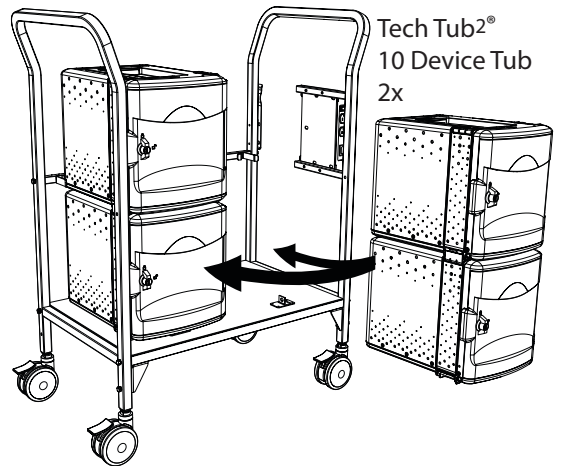
**3** Repeat steps 1 and 2 for other side of cart

18 Device UV cart (FTT718-UV, FTT718-USB-UV, FTT718-699-UV, FTT718-699-UV-CAN) and  
24 Device Cart (FTT724, FTT724-USB, FTT724-699)



OR

26 Device UV cart (FTT726-UV, FTT726-USB-UV, FTT726-699-UV, FTT726-699-UV-CAN) and  
32 Device Cart (FTT732, FTT732-USB, FTT732-699)

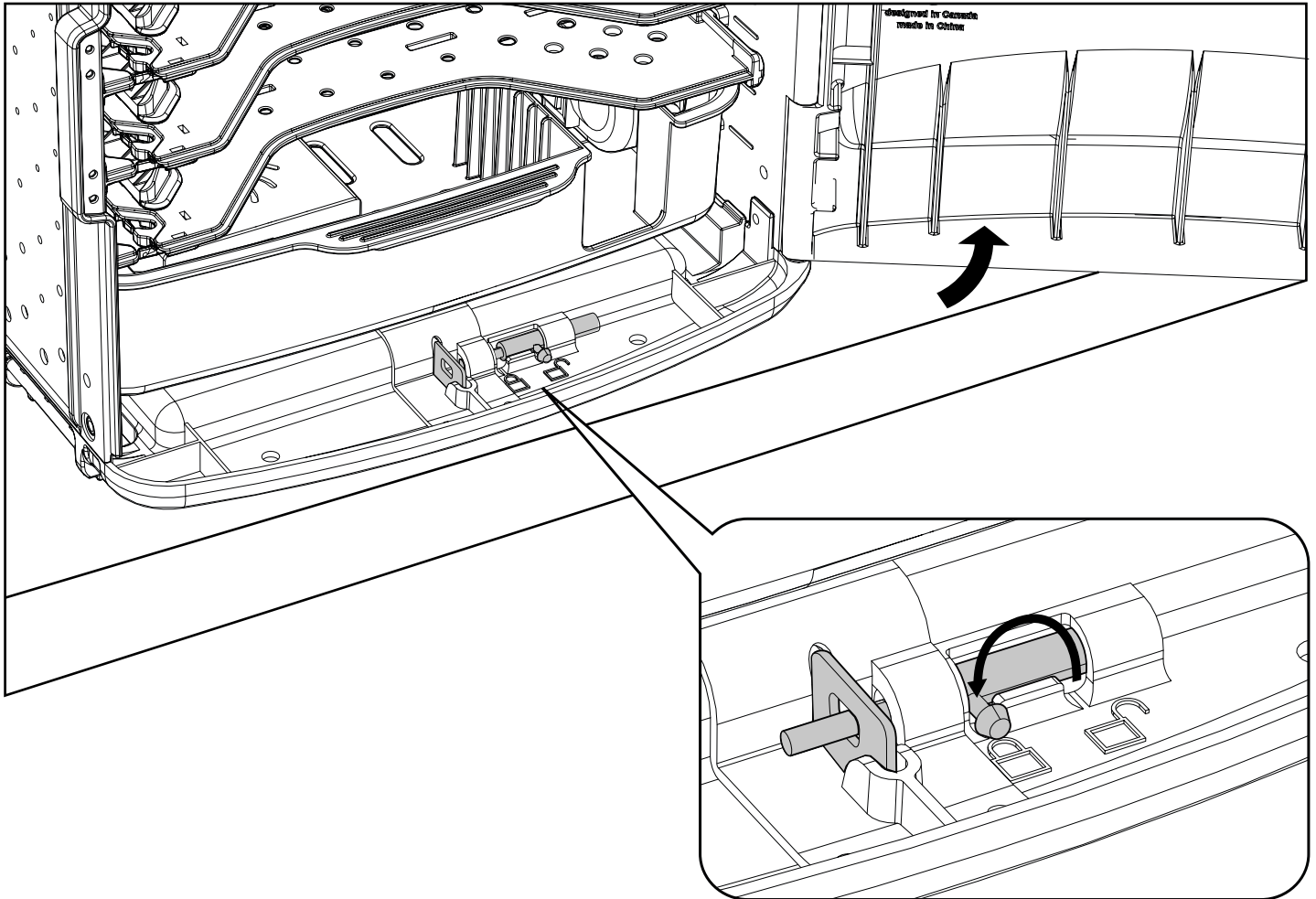


**!** Note: Ensure the 10 Device Tub is always mounted directly to the cart, not stacked on top of a 6 Device Tub.

Continue on next page...

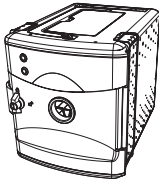
## Install Tech Tubs onto cart

- 7 Open front door of Tech Tub and slide metal locking pin through metal tab

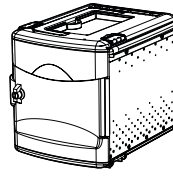


### NOTE:

! The locking process is the same for both left and right position on the cart.



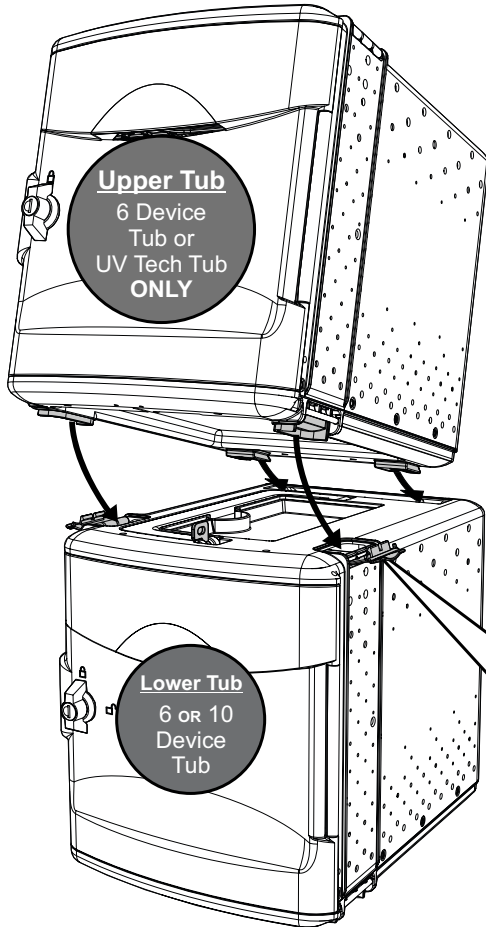
UV Tech Tub  
1x  
(May not be included with model)



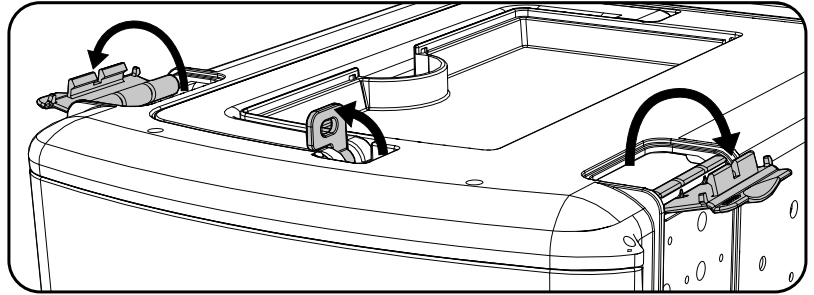
Tech Tub2®  
6 Device  
1x, 2x, 3x, or 4x  
(Quantity depends on model)

## Stack remaining tubs onto the cart

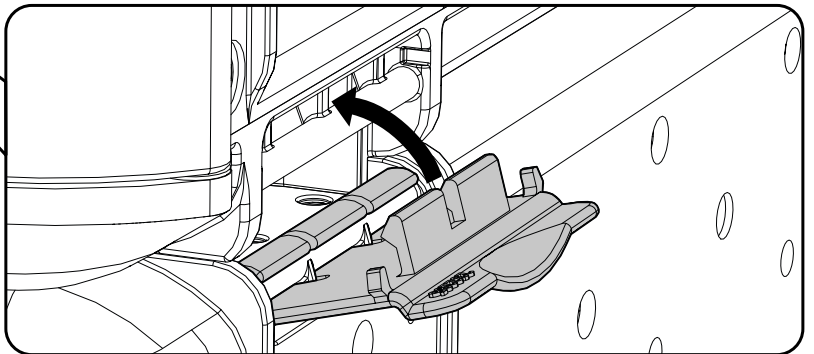
Refer to the next page for tub stacking configurations



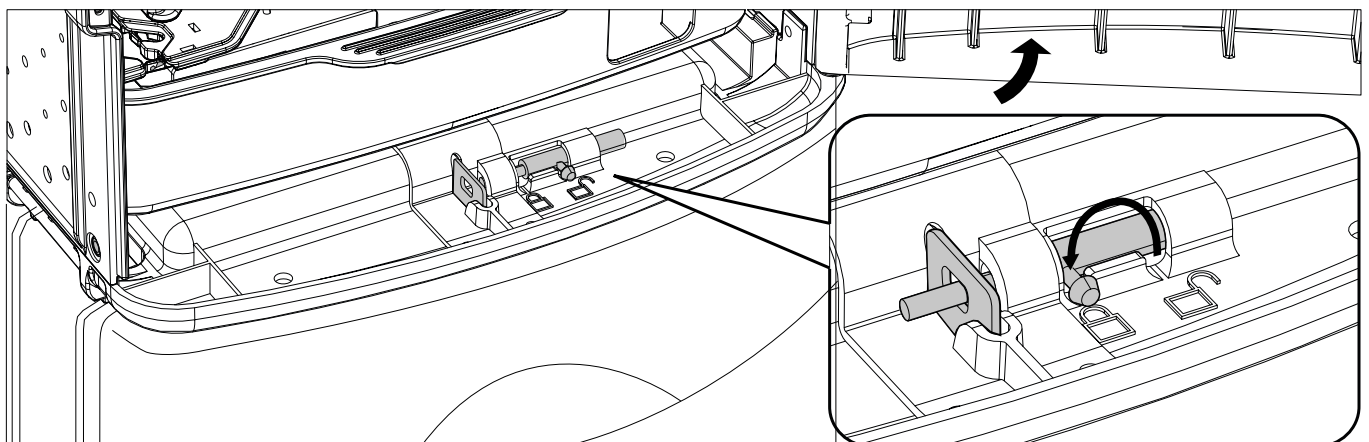
- 1 Flip up locking tab and open side flip locks on lower tub



- 2 Insert back feet of upper tub into slot on top of lower tub
- 3 Insert front feet of upper tub into holes on top of lower tub
- 4 Connect upper and lower tub using side flip locks



- 5 Open the front door of upper tub and slide locking pin through metal tab



- 6 Close and lock front door of tub to secure devices



Please see below for completed configurations

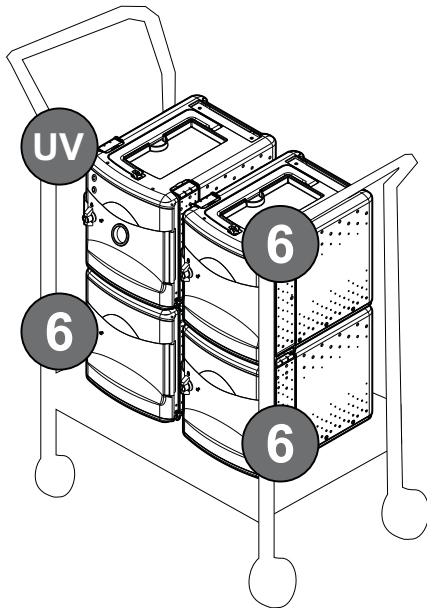
**6** 6 device Tech Tub

**10** 10 device Tech Tub

**UV** UV Tech Tub

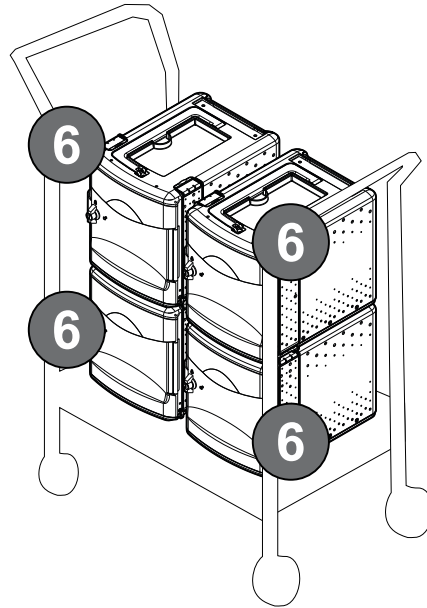
### 18 Device Cart:

(FTT718-UV, FTT718-USB-UV  
FTT718-699-UV, FTT718-699-UV-CAN)



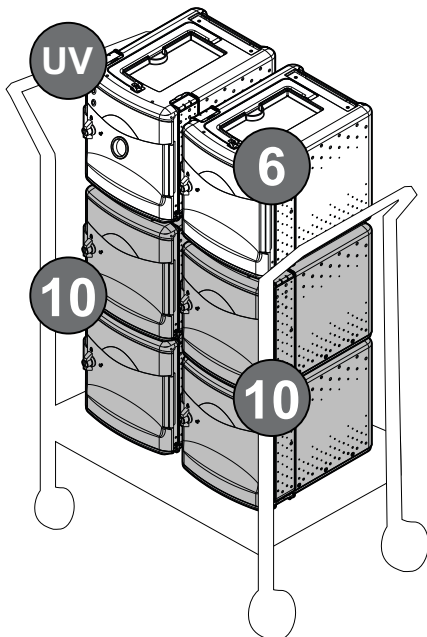
### 24 Device Cart:

(FTT724, FTT724-USB, FTT724-699)



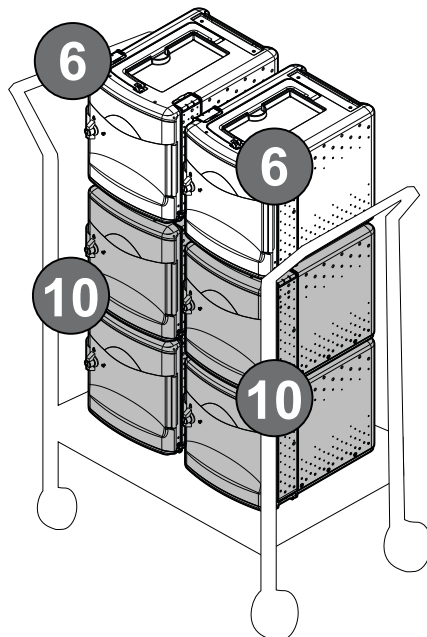
### 26 Device Cart:

(FTT726-UV, FTT726-USB-UV  
FTT726-699-UV, FTT726-699-UV-CAN)



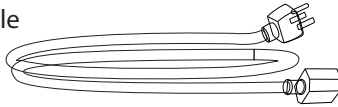
### 32 Device Cart:

(FTT732, FTT732-USB  
FTT732-699)



You will need: (Not to Scale)

15' Power Timer  
Cable  
1x

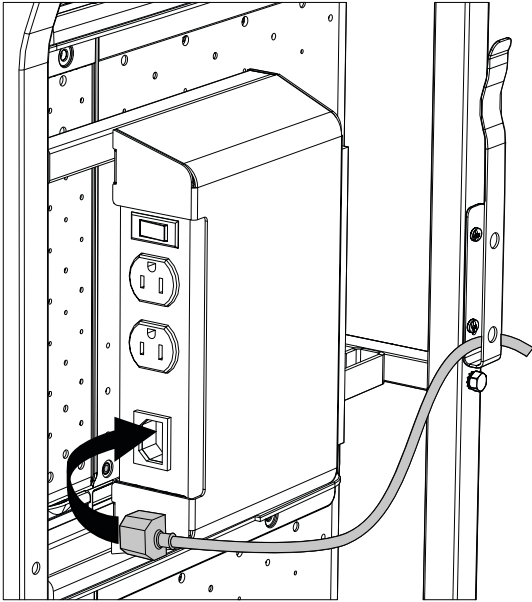


J Zip Tie  
2x

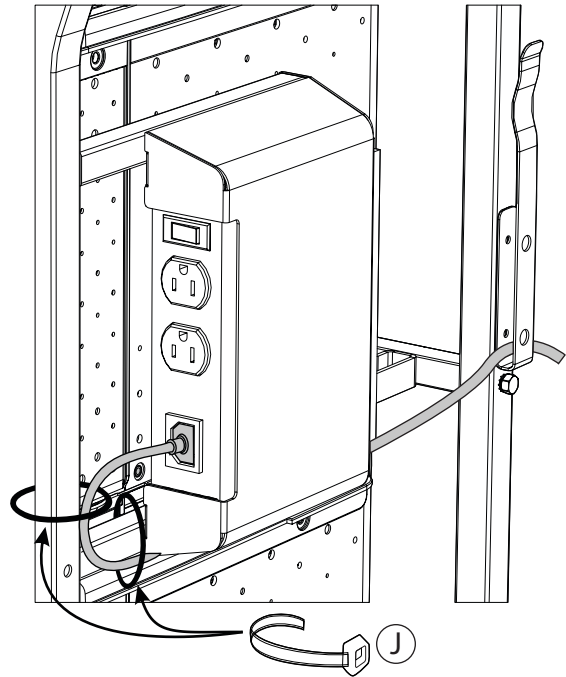


## Attach Power Cable to Power Timer

1 Plug power cable into power timer



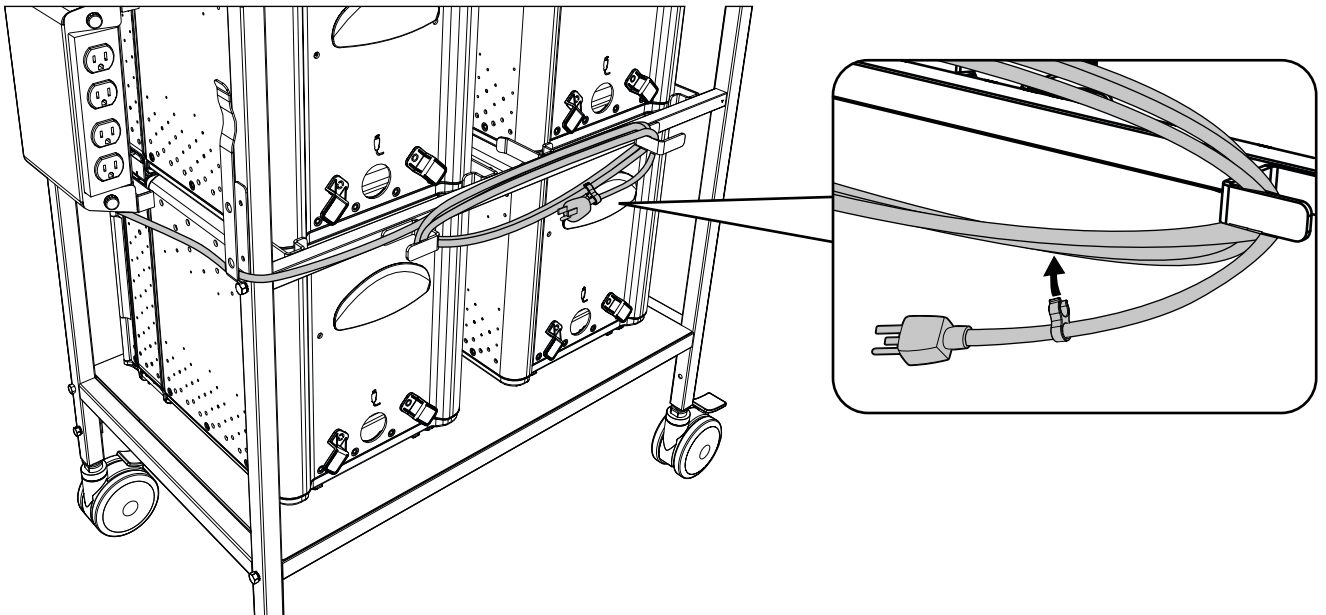
2 Zip tie power timer cable to frame



### Note:

- Leave some slack in cable when zip tying it to the cart to avoid excess strain on cable or power timer.
- Trim the ends of the zip ties once they are fully tightened around the power cable.

3 Wrap power timer cable on cable hook stretcher before moving cart



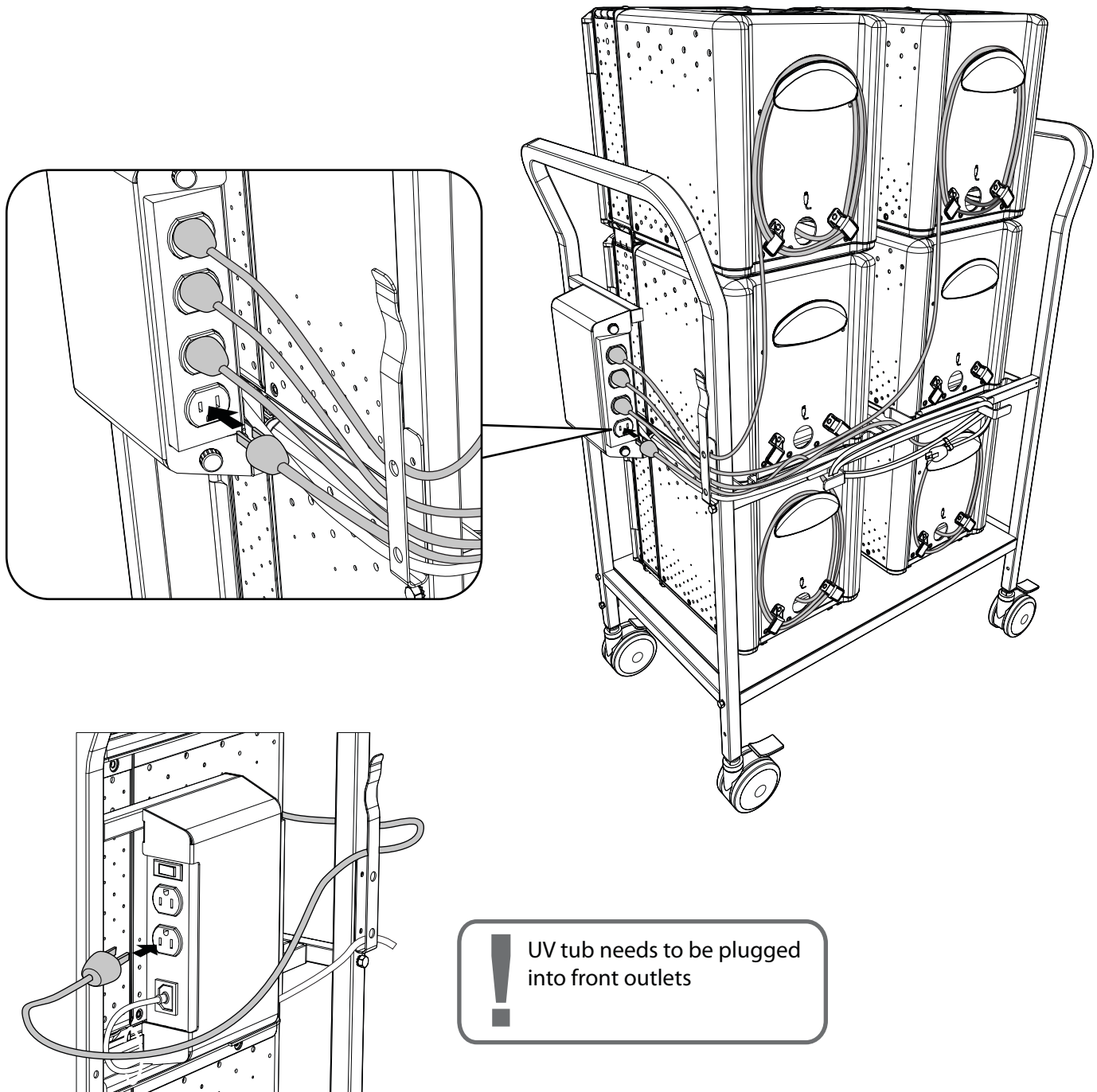
### Note:

- Use the attached clip to secure the power cable to itself before moving the cart.

## Plug Power Strip From Each Tech Tub Into Power Timer

Route power cables through spring steel cable hook and plug them into the power timer

- Note:**
- ! To keep the power cables organized keep the excess length of cable wrapped on the back of the Tech Tub<sup>2</sup>.
  - Ensure that there is enough slack to prevent unnecessary strain on the power cables or power timer.



UV tub needs to be plugged into front outlets