

# PRODUCT SPECIFICATIONS

## Intellect Wave® Classroom Furniture

May 2023

### TECHNICAL SPECIFICATIONS

#### Shell

One-piece contoured shell are made of static-free high-impact polypropylene. Colorfastness ensured through complete color impregnation throughout the molded part. Strength and durability are assured through an engineered internal structural cavity which eliminates the need for unsightly ribs on the back of the shell. Rolled edges for comfort and strength. Textured front and back. Wide, ergonomic handle molded into chair back for ease of mobility. Shell fastens to frame with six  $\frac{1}{4}$ -20 x  $\frac{3}{8}$ " Torx head screws. Upholstered chairs have partially exposed polypropylene surfaces. Fabric is upholstered over  $\frac{9}{16}$ " foam on the back and seat and fastened to an inner shell with screws. Back upholstery covers handle.

#### Frames

##### **Cantilever Chair, 4-Leg Chair, 4-Leg Chair On Casters, Music Chair, Café Stools (24" & 30"), & Double-Entry Desk**

Frames consist of  $\frac{3}{4}$ " x  $1\frac{1}{2}$ " O.D. 14-gauge elliptical steel tubing welded to a 14-gauge steel plate. Frame may be nickel-chrome plated or finished in powder-coat paint after all welding processes are complete. Double-entry desk models IWDE and IWX are only available in powder-coat paint. Music chair has a forward-tilted (5°) seat back and an elevated seat height to promote a more upright posture.

##### **Fixed-Height – 4-Leg Desk, Trapezoid Desk and Tripod Desk**

Frame is of  $\frac{3}{4}$ " x  $1\frac{1}{2}$ " O.D. 14-gauge elliptical steel tubing welded to a heavy 11-gauge steel plate. Frame is nickel-chrome plated or finished in powder-coat paint after all welding processes are complete. Legs fasten to top with K50 2.24 x 13 mm Torx head screws for hard plastic tops. Legs fasten to top with #12 x  $\frac{3}{4}$ " Phillips pan head screws for laminate tops.

##### **Fixed-Height – Cantilever Desk**

Frame consists of  $\frac{3}{4}$ " x  $1\frac{1}{2}$ " O.D. 14-gauge elliptical steel tubing welded to a heavy 11-gauge mounting bracket. Frame will be nickel-chrome plated or finished in powder-coat paint after all welding processes are complete. Frames fasten to top with K50 2.24 x 13 mm Torx head screws for hard plastic tops. Frames fasten to top with #12 x  $\frac{3}{4}$ " Phillips pan head screws for laminate tops.

##### **Adjustable-Height – 4-Leg Desk, Trapezoid Desk, Tripod Desk and ADA 4-Leg Desk**

Top frame consists of  $1\frac{1}{16}$ " x 1" O.D. 11-gauge elliptical steel tube welded to a heavy 11-gauge steel plate. Top section is nickel-chrome plated or finished in powder-coat paint after all welding processes are complete. Telescoping lower section of  $\frac{3}{4}$ " x  $1\frac{1}{2}$ " O.D. 14-gauge elliptical steel tube in bright chrome finish; locks with  $\frac{1}{4}$ " screw in 1" increments in a 22"-34" height range. Legs fasten to top with K50 2.24 x 13 mm Torx head screws for hard plastic tops. Legs fasten to top with #12 x  $\frac{3}{4}$ " Phillips pan head screws for laminate tops. Tripod desks have  $\frac{7}{16}$ " diameter steel wire crossbrace welded to the three legs.

##### **Adjustable-Height – Cantilever Desk, Sit/Stand Cantilever Desk and ADA Cantilever Desk**

Top section of frame is constructed from  $\frac{3}{4}$ " x  $1\frac{1}{2}$ " O.D. 14-gauge elliptical steel tube welded to a heavy 11-gauge steel mounting bracket. Top section is nickel-chrome plated or finished in powder-coat paint after all welding processes are complete. Telescoping lower section and section with footrest for sit/stand desk, is in bright chrome finish; locks with  $\frac{1}{4}$ " screw in 1" increments. Adjustable-height range is 24"-30", sit/stand height range is 29"-41" and ADA height range is 28"-34". Legs fasten to top with K50 2.24 x 13 mm Torx head screws for hard plastic tops. Legs fasten to top with #12 x  $\frac{3}{4}$ " Phillips pan head screws for laminate tops. Unique to the sit/stand cantilever desk, the desktop is slanted 3.5 degrees towards the user side.



## TECHNICAL SPECIFICATIONS

### Frames (cont.)

#### Task Chair and Task Stool

The frame is constructed of a 12-gauge base plate, powder-coated black.

#### Task Chair with Tilt Mechanism

The tilt mechanism is attached to the underside of the chair with a 10-gauge steel mounting plate.

### Pneumatic Height Adjustment

#### Task Chair and Task Stool

Lever-activated pneumatic cylinder enables seat height adjustment from 16<sup>1</sup>/<sub>2</sub>" to 21<sup>1</sup>/<sub>2</sub>" (large chair), 14" to 16<sup>1</sup>/<sub>2</sub>" (medium chair) and 20<sup>1</sup>/<sub>2</sub>" to 30<sup>3</sup>/<sub>4</sub>" (stool).

### Tilt Mechanism

#### Armless Task Chair Only

Tilt control is a stamped, welded mechanism with a coil spring to supply the force with a tension adjustment knob. The control also utilizes a single lever for both height adjustment and tilt lock. The at-rest seat angle is 3.5° with a total rearward travel of 19.5°.

### Task Base

#### Task Chair

Base is 24" injection-molded glass-reinforced nylon 5-blade design, in black only.

#### Task Stool

Base is 26" injection-molded glass-reinforced nylon 5-blade design, in black only.

### Top

#### Cantilever Desk, 4-Leg Desk, Linear Tripod Desk and Double-Entry Desk

Solid hard plastic tops are <sup>5</sup>/<sub>8</sub>" thick, of molded thermoset plastic and come with a pencil groove. Offered also is a top of <sup>3</sup>/<sub>4</sub>" thick high-density particleboard core covered with .030" high-pressure laminate top and .020" phenolic backing sheet and 73P polypropylene edge, without a pencil groove.

Hard Plastic tops, excluding ADA option, offer a straight front top or user-comfort curve front top, have 2<sup>3</sup>/<sub>8</sub>" radius corners and measures 19" x 26". ADA option is available in straight front style only without pencil groove, and measure 36<sup>15</sup>/<sub>32</sub>" x 20".

#### Contour Tripod Desk

High-density particleboard core covered with .030" high-pressure laminate top and .020" phenolic backing sheet and 73P polypropylene edge.

### Armrest

#### Task Chair And Task Stool

A tubular steel frame supports self-skinning urethane armrests. The support is bolted to the seat underside. Armrest paint color and top pad are always black. (Field installable). Arms are not available on chairs with tilt mechanisms.

## TECHNICAL SPECIFICATIONS

### Accessories

#### Book Bag Hook

Optional book bag hook is formed from  $\frac{1}{4}$ " solid wire rod. Chrome finish provides long lasting wear resistance. Fastens to underside of top with two K50 2.24 x 13 mm Torx head screws for hard plastic tops. Fastens to underside of top with two #12 x  $\frac{3}{4}$ " Phillips pan head screws for laminate tops.

#### Book Basket (Under Desk)

Optional book basket is made of chrome plated 7 mm diameter solid steel wire. Fastens to underside of top with eight K50 2.24 x 13 mm Torx head screws for hard plastic tops. Fastens to underside of top with eight #12 x  $\frac{3}{4}$ " Phillips pan head screws for laminate tops.

#### Book Box (Under Desk)

Optional solid molded thermoplastic polypropylene book box. Translucent finish helps provide safe environment while allowing for some degree of personal privacy. Molded-in pencil tray keeps items conveniently inside book box within easy reach, not on the floor or in the back of the book box. Book box for Cantilever desks is available only in translucent. Fastens to underside of top with nine K50 2.24 x 13 mm Torx head screws for hard plastic tops. Fastens to underside of top with six #12 x  $\frac{3}{4}$ " Phillips pan head screws for laminate tops.

#### Book Rack (Under Chair)

Optional book rack has an external framework of  $\frac{5}{16}$ " diameter solid wire rod attached to the chair frame with four  $\frac{1}{4}$ -14 x 1" Tek screws. Cross braces of  $\frac{5}{16}$ " diameter solid wire rod are welded between external framework.

#### Rocker

Optional rockers are field installed onto Wave cantilever frame chairs. Two rocker halves clamp onto each cantilever leg frame's foot tube, each pair using three #10 Allen socket head cap screws and locking nuts. Four rocker halves per chair. Rocker halves are made from molded clear polycarbonate plastic. Rockers are not usable on cantilever chairs with felt glides.

#### Glides

Swivel-type polished zinc-plated steel, nylon, or felt glides. KI recommends consulting with the floor manufacturer for specific glide recommendations. **Note:** Felt glides increase product height by  $\frac{1}{4}$ ".

#### Casters

##### Carpet Casters – Task Chair, Task Stool and 4-Leg Chair On Casters

Double wheels (50 mm) of high-impact thermoplastic. High-impact plastic frame. Black finish only.

##### Hard Floor Casters – Task Chair, Task Stool and 4-Leg Chair On Casters

Double wheels (55 mm) of soft plastic. High-impact plastic frame. Black finish only.

## TECHNICAL SPECIFICATIONS

### Transport Dolly

Frame is welded tubular steel construction with steel straps that are bent to conform to the nesting angle of the product being transported. Four steel casters (wheel housings) - two fixed and two swivel - are welded directly to the four corners of the dolly frame. Swivel casters have ball bearings for smooth operation. Wheels are 5" diameter by 1 3/8" wide hard rubber with Delrin bearings. Wheels are attached to the casters with 3/8" diameter bolts (axle). Black powder-coat finish.

	Stacking on Dolly Overall Dimensions			
	Qty	Width	Depth	Height
Extra Small 4-Leg				
Small 4-Leg				
Medium 4-Leg				
Medium 4-Leg Caster				
Large 4-Leg	10	22 1/2"	39"	65"
Large 4-Leg Caster	10	22 1/2"	39"	65"
Medium Music				
Large Music	5	22 1/2"	38"	53"
Small Cantilever				
Medium Cantilever				
Large Cantilever	7	22 1/2"	29"	62"

	Stacking on Floor Overall Dimensions			
	Qty	Width	Depth	Height
Extra Small 4-Leg	8	15"	26"	38 1/2"
Small 4-Leg	4	15"	23 1/2"	31 1/2"
Medium 4-Leg	6	17 1/2"	30"	38"
Medium 4-Leg Caster	6	17 1/2"	30"	38"
Large 4-Leg	8	21"	36"	50"
Large 4-Leg Caster	4	21"	33"	40"
Medium Music	5	21"	33"	43"
Large Music	5	21"	33"	43"
Small Cantilever	4	16"	24 1/2"	33 1/2"
Medium Cantilever	3	17 1/2"	25 1/2"	33"
Large Cantilever	5	21"	37"	44"

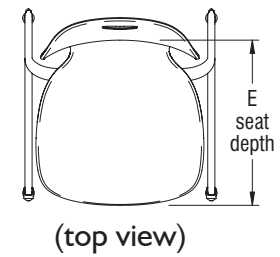
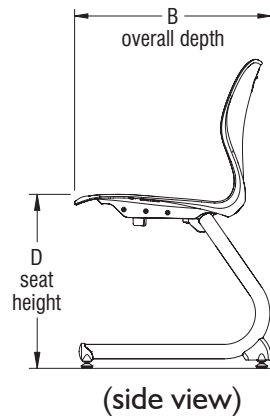
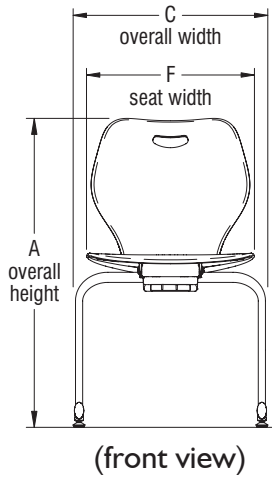
## CODE COMPLIANCE



## DIMENSIONS

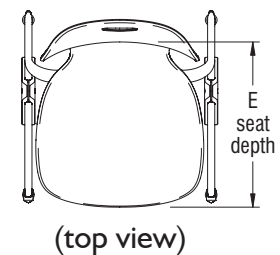
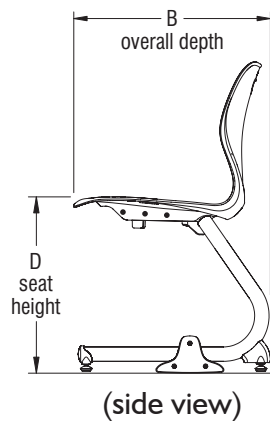
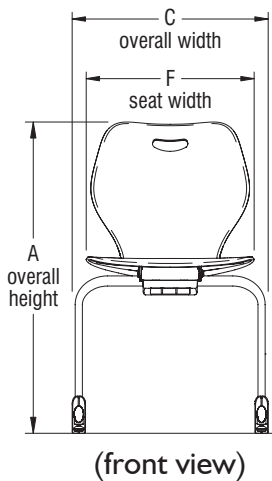
### Intellect Wave - Cantilever Chair - (model IWC18 shown)

Model Number	A Overall Height	B Overall Depth	C Overall Width	D Seat Height	E Seat Depth	F Seat Width
IWC13	23 <sup>7</sup> / <sub>8</sub> "	14 <sup>1</sup> / <sub>4</sub> "	15 <sup>3</sup> / <sub>8</sub> "	13 <sup>3</sup> / <sub>4</sub> "	12 <sup>3</sup> / <sub>8</sub> "	12 <sup>1</sup> / <sub>2</sub> "
IWC15	25 <sup>5</sup> / <sub>8</sub> "	17"	17 <sup>1</sup> / <sub>8</sub> "	15"	14"	14 <sup>3</sup> / <sub>8</sub> "
IWC18	32 <sup>1</sup> / <sub>4</sub> "	20 <sup>1</sup> / <sub>2</sub> "	20 <sup>3</sup> / <sub>8</sub> "	18 <sup>1</sup> / <sub>8</sub> "	17 <sup>1</sup> / <sub>4</sub> "	17 <sup>1</sup> / <sub>2</sub> "



### Intellect Wave - Cantilever Chair - Rocker Kit - (model IWC18 shown)

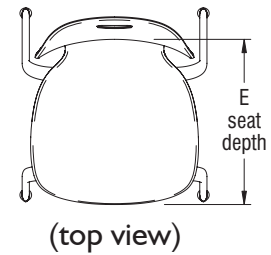
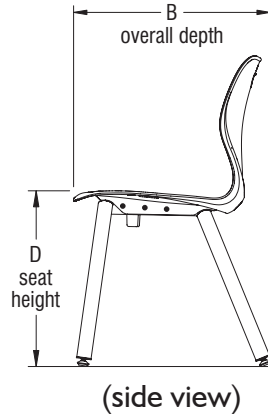
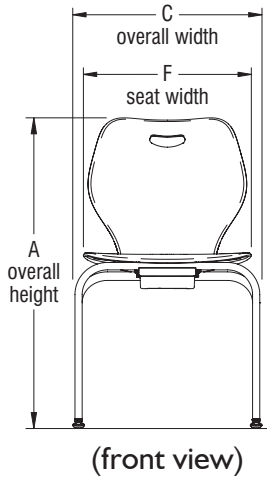
Model Number	A Overall Height	B Overall Depth	C Overall Width	D Seat Height	E Seat Depth	F Seat Width
IWCRI3	24"	14 <sup>1</sup> / <sub>4</sub> "	15 <sup>3</sup> / <sub>8</sub> "	14"	12 <sup>3</sup> / <sub>8</sub> "	12 <sup>1</sup> / <sub>2</sub> "
IWCRI5	25 <sup>3</sup> / <sub>4</sub> "	17"	17 <sup>1</sup> / <sub>8</sub> "	15 <sup>1</sup> / <sub>4</sub> "	14"	14 <sup>3</sup> / <sub>8</sub> "
IWCRI8	32 <sup>1</sup> / <sub>4</sub> "	20 <sup>1</sup> / <sub>2</sub> "	20 <sup>3</sup> / <sub>8</sub> "	18 <sup>3</sup> / <sub>8</sub> "	17 <sup>1</sup> / <sub>4</sub> "	17 <sup>1</sup> / <sub>2</sub> "



## DIMENSIONS

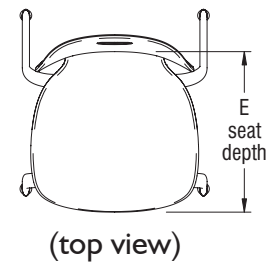
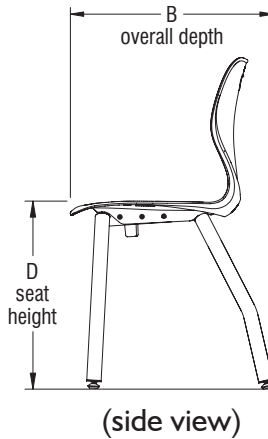
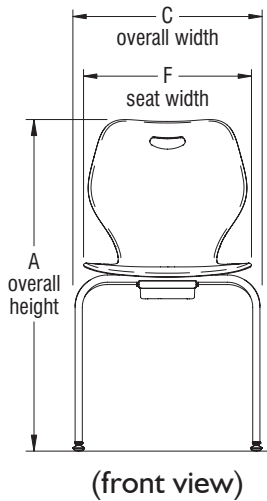
### Intellect Wave - 4-Leg Chair - (model IW418 shown)

Model Number	A Overall Height	B Overall Depth	C Overall Width	D Seat Height	E Seat Depth	F Seat Width
IW410	20"	14"	14 <sup>7</sup> / <sub>8</sub> "	9 <sup>3</sup> / <sub>4</sub> "	12 <sup>3</sup> / <sub>8</sub> "	12 <sup>1</sup> / <sub>2</sub> "
IW413	23 <sup>1</sup> / <sub>8</sub> "	15"	14 <sup>7</sup> / <sub>8</sub> "	13"	12 <sup>3</sup> / <sub>8</sub> "	12 <sup>1</sup> / <sub>2</sub> "
IW415	26 <sup>3</sup> / <sub>4</sub> "	17"	16 <sup>3</sup> / <sub>4</sub> "	15"	14 <sup>1</sup> / <sub>8</sub> "	14 <sup>3</sup> / <sub>8</sub> "
IW418	32 <sup>1</sup> / <sub>4</sub> "	20 <sup>1</sup> / <sub>2</sub> "	19 <sup>3</sup> / <sub>4</sub> "	18 <sup>1</sup> / <sub>8</sub> "	17 <sup>1</sup> / <sub>4</sub> "	17 <sup>1</sup> / <sub>2</sub> "



### Intellect Wave - Music Chair - (model IWMC19 shown)

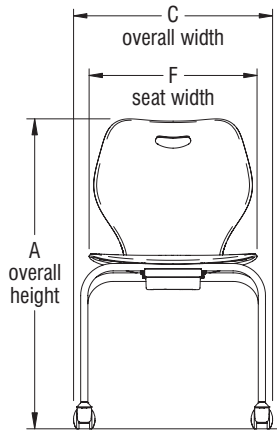
Model Number	A Overall Height	B Overall Depth	C Overall Width	D Seat Height	E Seat Depth	F Seat Width
IWMC16	29 <sup>3</sup> / <sub>8</sub> "	17 <sup>1</sup> / <sub>2</sub> "	16 <sup>3</sup> / <sub>4</sub> "	16 <sup>1</sup> / <sub>2</sub> "	13 <sup>5</sup> / <sub>8</sub> "	14 <sup>3</sup> / <sub>8</sub> "
IWMC19	32 <sup>1</sup> / <sub>4</sub> "	21 <sup>1</sup> / <sub>8</sub> "	19 <sup>3</sup> / <sub>4</sub> "	19 <sup>1</sup> / <sub>8</sub> "	17 <sup>1</sup> / <sub>4</sub> "	17 <sup>1</sup> / <sub>2</sub> "



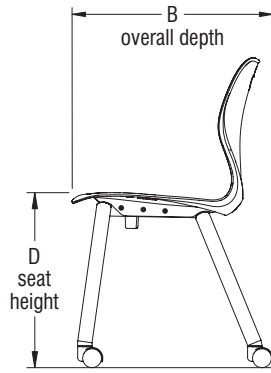
## DIMENSIONS

### Intellect Wave - 4-Leg Chair with Casters - (model IW418C shown)

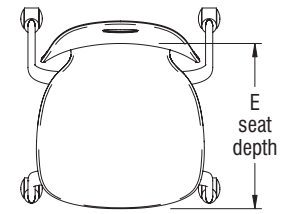
Model Number	A Overall Height	B Overall Depth	C Overall Width	D Seat Height	E Seat Depth	F Seat Width
IW415C	26 <sup>5</sup> / <sub>8</sub> "	17 <sup>3</sup> / <sub>8</sub> "	17 <sup>3</sup> / <sub>4</sub> "	15"	14 <sup>1</sup> / <sub>8</sub> "	14 <sup>3</sup> / <sub>8</sub> "
IW418C	32 <sup>1</sup> / <sub>4</sub> "	20 <sup>3</sup> / <sub>8</sub> "	20 <sup>3</sup> / <sub>4</sub> "	18 <sup>1</sup> / <sub>4</sub> "	17 <sup>1</sup> / <sub>4</sub> "	17 <sup>1</sup> / <sub>2</sub> "



(front view)



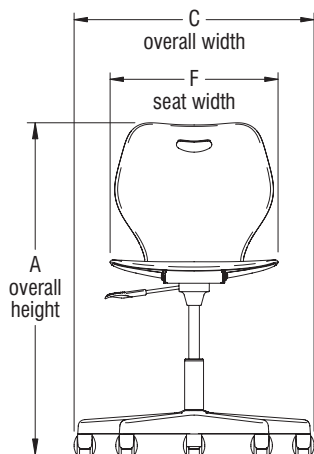
(side view)



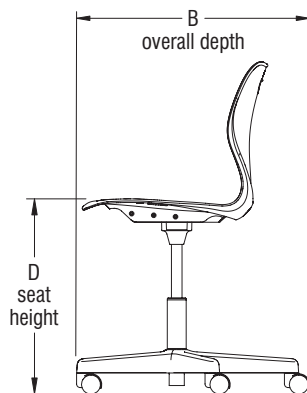
(top view)

### Intellect Wave - Task Chair - (model IWPD18 shown)

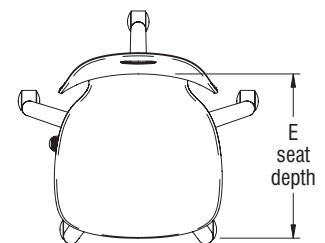
Model Number	A Overall Height	B Overall Depth	C Overall Width	D Seat Height	E Seat Depth	F Seat Width
IWPD15	25 <sup>1</sup> / <sub>2</sub> " - 28 <sup>3</sup> / <sub>8</sub> "	23 <sup>7</sup> / <sub>8</sub> "	24 <sup>1</sup> / <sub>4</sub> "	14" - 16 <sup>7</sup> / <sub>8</sub> "	13 <sup>5</sup> / <sub>8</sub> "	14 <sup>3</sup> / <sub>8</sub> "
IWPD18	30 <sup>3</sup> / <sub>8</sub> " - 35 <sup>3</sup> / <sub>8</sub> "	24 <sup>3</sup> / <sub>8</sub> "	25"	15 <sup>3</sup> / <sub>4</sub> " - 20 <sup>3</sup> / <sub>4</sub> "	17 <sup>1</sup> / <sub>4</sub> "	17 <sup>1</sup> / <sub>2</sub> "



(front view)



(side view)

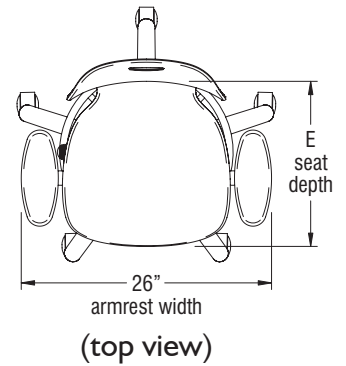
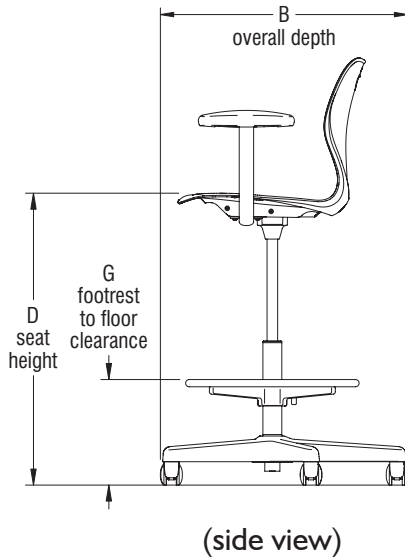
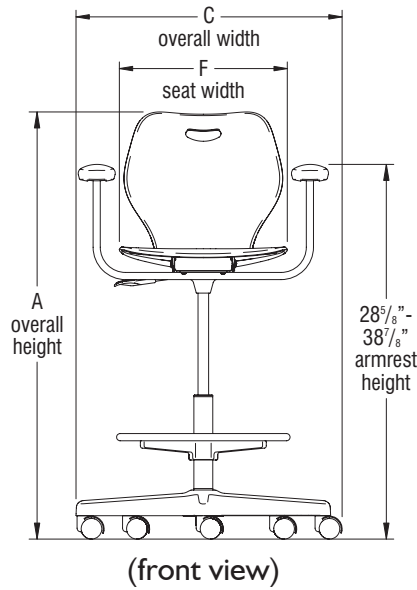


(top view)

## DIMENSIONS

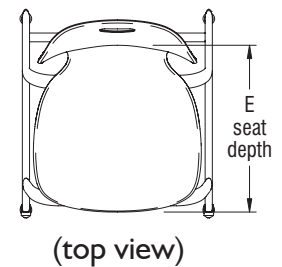
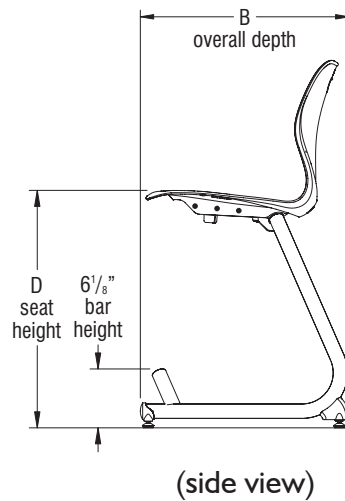
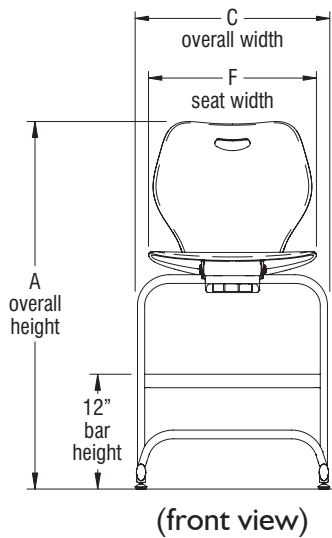
### Intellect Wave - Task Stool - (model IWSA shown)

Model Number	A Overall Height	B Overall Depth	C Overall Width	D Seat Height	E Seat Depth	F Seat Width	G Footrest-to-Floor Clearance
IWS	34 <sup>1</sup> / <sub>4</sub> " - 44 <sup>1</sup> / <sub>2</sub> "	22 <sup>1</sup> / <sub>4</sub> "	23 <sup>1</sup> / <sub>2</sub> "	20 <sup>1</sup> / <sub>2</sub> " - 30 <sup>3</sup> / <sub>4</sub> "	17 <sup>1</sup> / <sub>2</sub> "	18 <sup>1</sup> / <sub>4</sub> "	17 <sup>1</sup> / <sub>2</sub> "
IWSA	34 <sup>1</sup> / <sub>4</sub> " - 44 <sup>1</sup> / <sub>2</sub> "	25 <sup>7</sup> / <sub>8</sub> "	27 <sup>5</sup> / <sub>8</sub> "	20 <sup>1</sup> / <sub>2</sub> " - 30 <sup>3</sup> / <sub>4</sub> "	17 <sup>1</sup> / <sub>2</sub> "	18 <sup>1</sup> / <sub>4</sub> "	17 <sup>1</sup> / <sub>2</sub> "



### Intellect Wave - Café Stool - (model IWCS24 shown)

Model Number	A Overall Height	B Overall Depth	C Overall Width	D Seat Height	E Seat Depth	F Seat Width
IWCS24	38 <sup>1</sup> / <sub>4</sub> "	21 <sup>3</sup> / <sub>4</sub> "	20 <sup>3</sup> / <sub>8</sub> "	24 <sup>5</sup> / <sub>8</sub> "	17 <sup>3</sup> / <sub>8</sub> "	17 <sup>1</sup> / <sub>2</sub> "
IWCS30	44 <sup>1</sup> / <sub>4</sub> "	22"	22"	30 <sup>5</sup> / <sub>8</sub> "	17 <sup>1</sup> / <sub>2</sub> "	17 <sup>1</sup> / <sub>2</sub> "

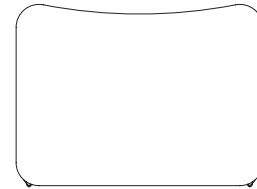
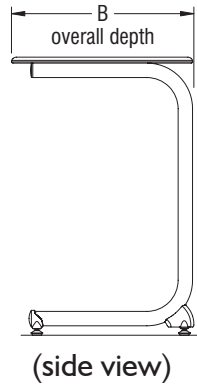
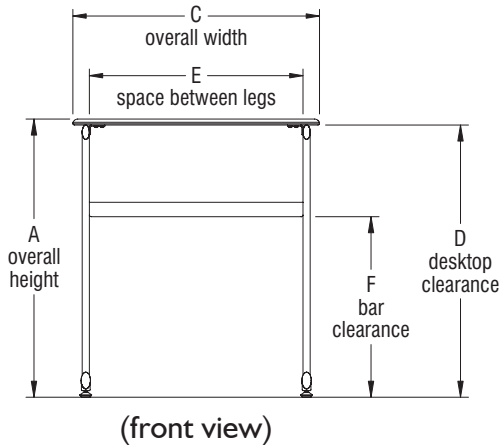




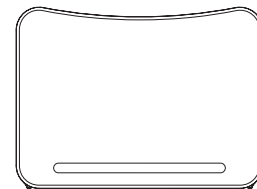
## DIMENSIONS

### Intellect Wave - Fixed-Height Height Cantilever Desk - (model IWDCH29 shown)

Model Number	A Overall Height	B Overall Depth	C Overall Width	D Desktop Clearance	E Space Between Legs	F Bar Clearance
IWDCH29	29"	18 <sup>7</sup> / <sub>8</sub> "	25 <sup>3</sup> / <sub>4</sub> "	28 <sup>3</sup> / <sub>8</sub> "	22 <sup>1</sup> / <sub>4</sub> "	18 <sup>7</sup> / <sub>8</sub> "
IWDCL29	29 <sup>1</sup> / <sub>8</sub> "	18 <sup>7</sup> / <sub>8</sub> "	25 <sup>3</sup> / <sub>4</sub> "	28 <sup>3</sup> / <sub>8</sub> "	22 <sup>1</sup> / <sub>4</sub> "	18 <sup>7</sup> / <sub>8</sub> "



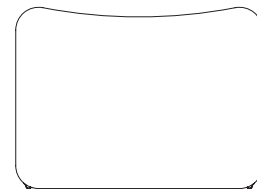
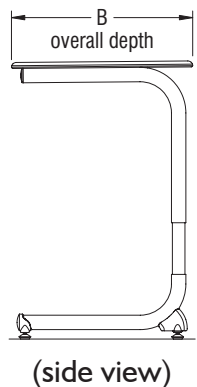
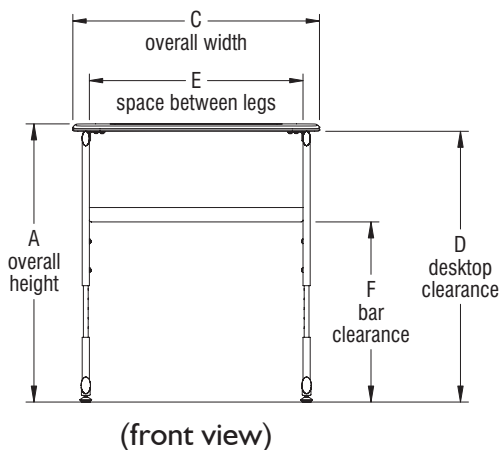
Laminate  
(top view)



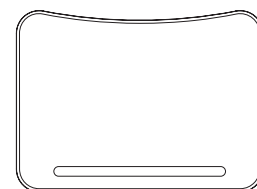
Hard Plastic  
(top view)

### Intellect Wave - Adjustable-Height Cantilever Desk - (model IWDCHA shown)

Model Number	A Overall Height	B Overall Depth	C Overall Width	D Desktop Clearance	E Space Between Legs	F Bar Clearance
IWDCHA	24" - 30"	18 <sup>7</sup> / <sub>8</sub> "	25 <sup>3</sup> / <sub>4</sub> "	23 <sup>3</sup> / <sub>8</sub> " - 29 <sup>3</sup> / <sub>8</sub> "	22 <sup>1</sup> / <sub>4</sub> "	14" - 20"
IWDCLA	24 <sup>1</sup> / <sub>2</sub> " - 30 <sup>1</sup> / <sub>2</sub> "	18 <sup>7</sup> / <sub>8</sub> "	25 <sup>3</sup> / <sub>4</sub> "	23 <sup>7</sup> / <sub>8</sub> " - 29 <sup>7</sup> / <sub>8</sub> "	22 <sup>1</sup> / <sub>4</sub> "	14" - 20"



Laminate  
(top view)

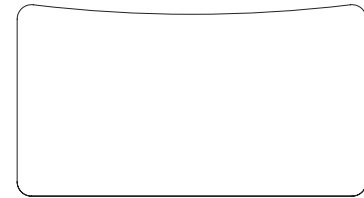
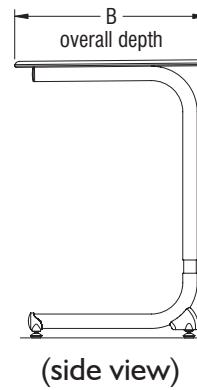
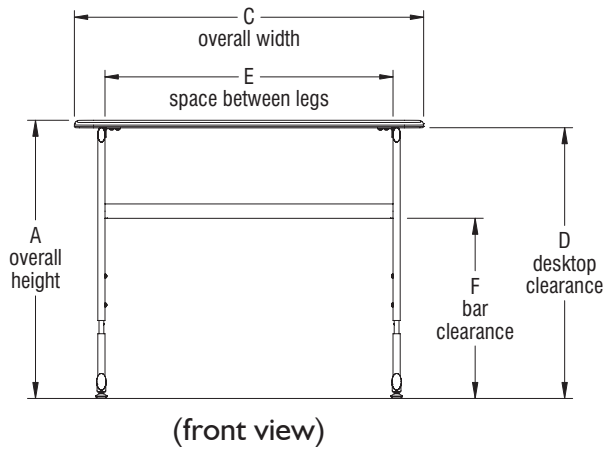


Hard Plastic  
(top view)

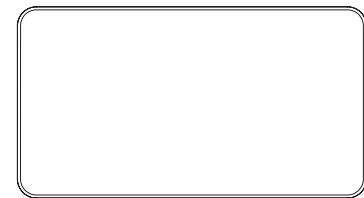
## DIMENSIONS

### Intellect Wave - ADA Adjustable-Height Cantilever Desk - (model IWDCHADA shown)

Model Number	A Overall Height	B Overall Depth	C Overall Width	D Desktop Clearance	E Space Between Legs	F Bar Clearance
IWDCHADA	28" - 34"	20"	36 <sup>3</sup> / <sub>8</sub> "	27 <sup>3</sup> / <sub>8</sub> " - 33 <sup>3</sup> / <sub>8</sub> "	30"	18" - 24"
IWDCLADA	28 <sup>1</sup> / <sub>4</sub> " - 34 <sup>1</sup> / <sub>4</sub> "	20"	36 <sup>3</sup> / <sub>8</sub> "	27 <sup>1</sup> / <sub>2</sub> " - 33 <sup>1</sup> / <sub>2</sub> "	30"	18" - 24"



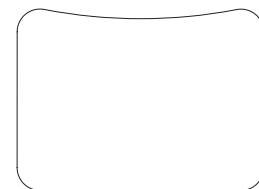
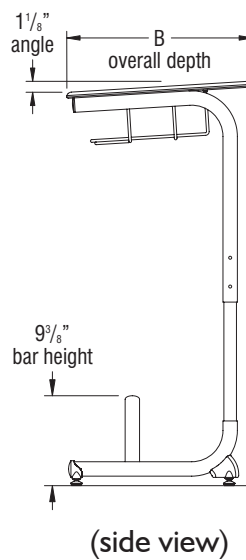
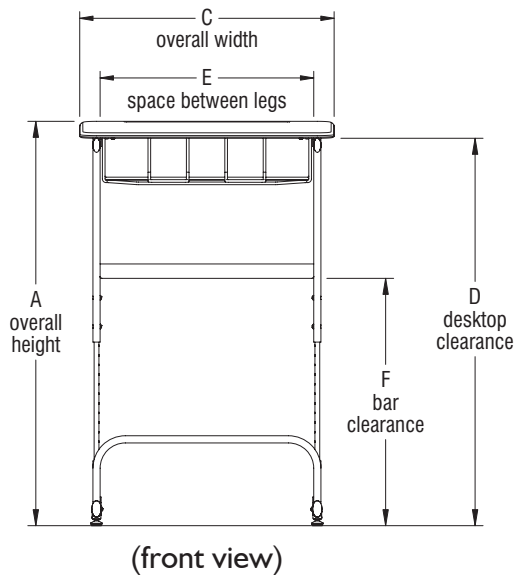
Laminate  
(top view)



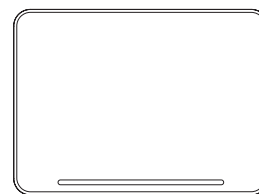
Hard Plastic  
(top view)

### Intellect Wave - Sit/Stand-Height Cantilever Desk - (model IWDSH shown)

Model Number	A Overall Height	B Overall Depth	C Overall Width	D Desktop Clearance	E Space Between Legs	F Bar Clearance
IWDSH	30" - 42"	18 <sup>7</sup> / <sub>8</sub> "	25 <sup>3</sup> / <sub>4</sub> "	28 <sup>1</sup> / <sub>4</sub> " - 40 <sup>1</sup> / <sub>4</sub> "	22 <sup>1</sup> / <sub>4</sub> "	14" - 26"
IWDSL	30 <sup>1</sup> / <sub>2</sub> " - 42 <sup>1</sup> / <sub>2</sub> "	18 <sup>7</sup> / <sub>8</sub> "	25 <sup>3</sup> / <sub>4</sub> "	28 <sup>5</sup> / <sub>8</sub> " - 40 <sup>5</sup> / <sub>8</sub> "	22 <sup>1</sup> / <sub>4</sub> "	14" - 26"



Laminate  
(top view)

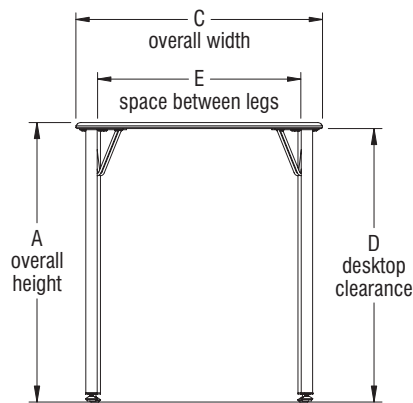


Hard Plastic  
(top view)

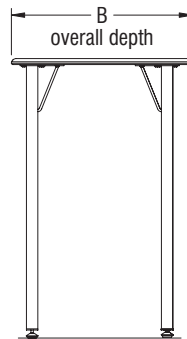
## DIMENSIONS

### Intellect Wave - Fixed-Height 4-Leg Desk - (model IWD4FH29 shown)

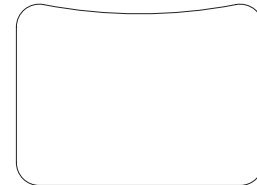
Model Number	A Overall Height	B Overall Depth	C Overall Width	D Desktop Clearance	E Space Between Legs
IWD4FH29	29"	18 <sup>7</sup> / <sub>8</sub> "	25 <sup>3</sup> / <sub>4</sub> "	28 <sup>3</sup> / <sub>8</sub> "	20 <sup>5</sup> / <sub>8</sub> "
IWD4FL29	29"	19 <sup>3</sup> / <sub>8</sub> "	26 <sup>1</sup> / <sub>2</sub> "	28 <sup>3</sup> / <sub>8</sub> "	20 <sup>5</sup> / <sub>8</sub> "



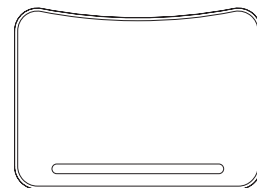
(front view)



(side view)



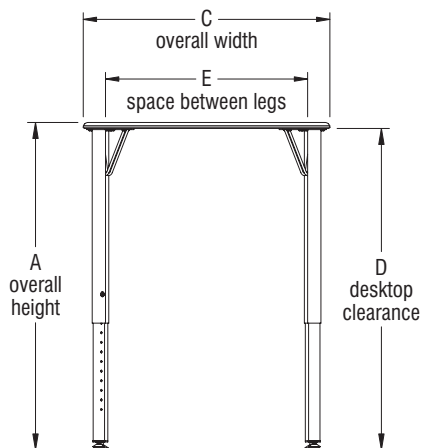
Laminate  
(top view)



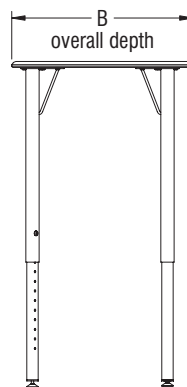
Hard Plastic  
(top view)

### Intellect Wave - Adjustable-Height 4-Leg Desk - (model IWD4FHA shown)

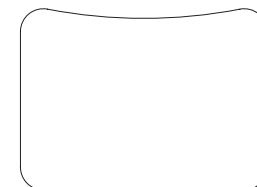
Model Number	A Overall Height	B Overall Depth	C Overall Width	D Desktop Clearance	E Space Between Legs
IWD4FHA	22" - 34"	18 <sup>7</sup> / <sub>8</sub> "	25 <sup>3</sup> / <sub>4</sub> "	21 <sup>3</sup> / <sub>8</sub> " - 33 <sup>3</sup> / <sub>8</sub> "	20 <sup>5</sup> / <sub>8</sub> "
IWD4FLA	22" - 34"	19 <sup>3</sup> / <sub>8</sub> "	26 <sup>1</sup> / <sub>2</sub> "	21 <sup>3</sup> / <sub>8</sub> " - 33 <sup>3</sup> / <sub>8</sub> "	20 <sup>5</sup> / <sub>8</sub> "



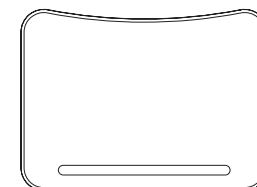
(front view)



(side view)



Laminate  
(top view)

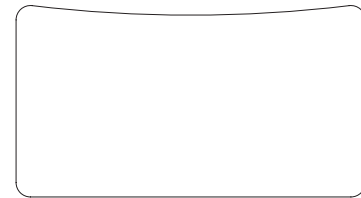
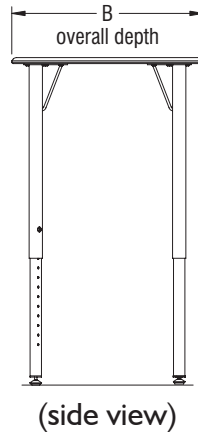
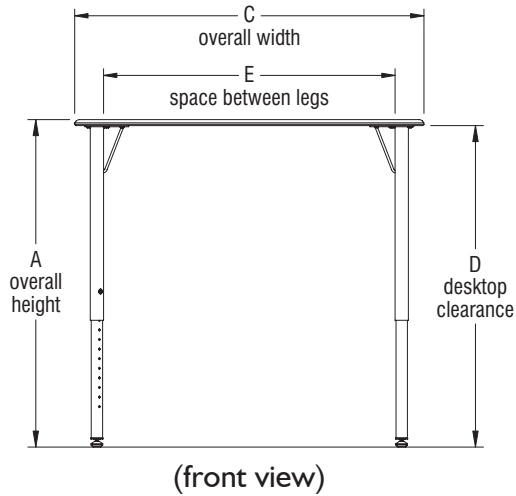


Hard Plastic  
(top view)

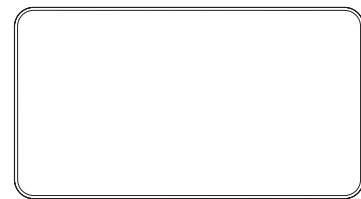
## DIMENSIONS

### Intellect Wave - ADA Adjustable-Height 4-Leg Desk - (model IWD4FHADA shown)

Model Number	A Overall Height	B Overall Depth	C Overall Width	D Desktop Clearance	E Space Between Legs
IWD4FHADA	22" - 34"	20"	36 <sup>3</sup> / <sub>8</sub> "	21 <sup>3</sup> / <sub>8</sub> " - 33 <sup>3</sup> / <sub>8</sub> "	30 <sup>3</sup> / <sub>8</sub> "
IWD4FLADA	22 <sup>1</sup> / <sub>4</sub> " - 34 <sup>1</sup> / <sub>4</sub> "	20"	36 <sup>3</sup> / <sub>8</sub> "	21 <sup>3</sup> / <sub>8</sub> " - 33 <sup>3</sup> / <sub>8</sub> "	30 <sup>3</sup> / <sub>8</sub> "



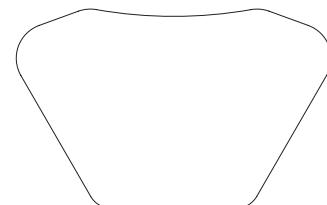
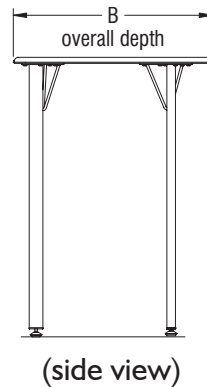
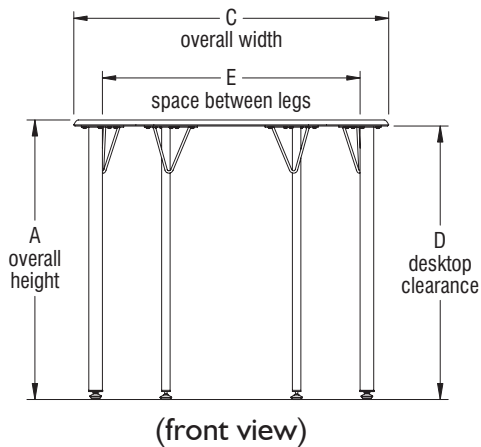
Laminate  
(top view)



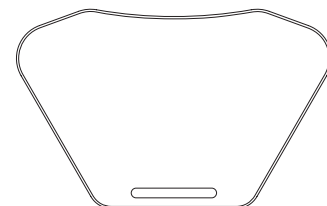
Hard Plastic  
(top view)

### Intellect Wave - Fixed-Height Trapezoid Desk - (model IWDTFH29 shown)

Model Number	A Overall Height	B Overall Depth	C Overall Width	D Desktop Clearance	E Space Between Legs
IWDTFH29	29"	20 <sup>3</sup> / <sub>4</sub> "	32 <sup>7</sup> / <sub>8</sub> "	28 <sup>3</sup> / <sub>8</sub> "	26 <sup>7</sup> / <sub>8</sub> "
IWDTFL29	29 <sup>1</sup> / <sub>4</sub> "	20 <sup>3</sup> / <sub>4</sub> "	32 <sup>7</sup> / <sub>8</sub> "	28 <sup>3</sup> / <sub>8</sub> "	26 <sup>7</sup> / <sub>8</sub> "



Laminate  
(top view)

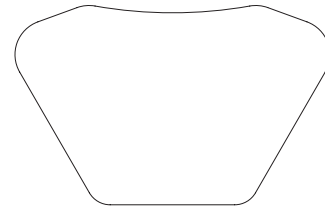
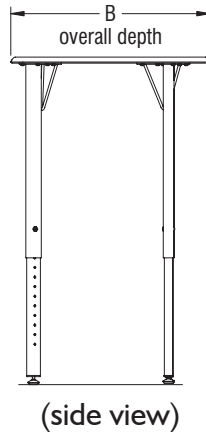
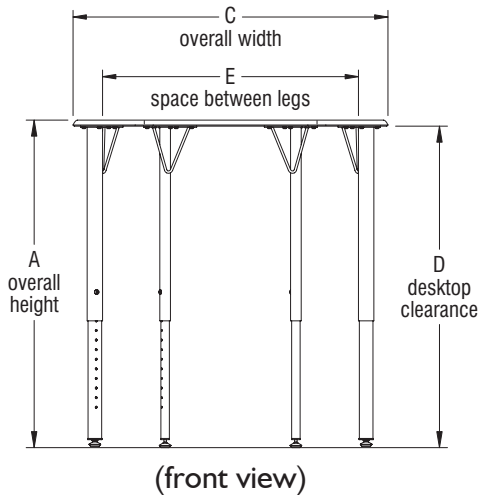


Hard Plastic  
(top view)

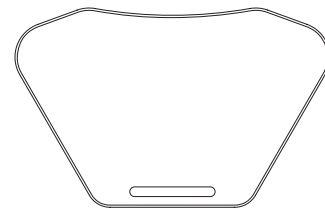
## DIMENSIONS

### Intellect Wave - Adjustable-Height Trapezoid Desk - (model IWDTFHA shown)

Model Number	A Overall Height	B Overall Depth	C Overall Width	D Desktop Clearance	E Space Between Legs
IWDTFHA	22" - 34"	20 <sup>3</sup> / <sub>4</sub> "	32 <sup>7</sup> / <sub>8</sub> "	21 <sup>3</sup> / <sub>8</sub> " - 33 <sup>3</sup> / <sub>8</sub> "	26 <sup>5</sup> / <sub>8</sub> "
IWDTFLA	22 <sup>1</sup> / <sub>4</sub> " - 34 <sup>1</sup> / <sub>4</sub> "	20 <sup>3</sup> / <sub>4</sub> "	32 <sup>7</sup> / <sub>8</sub> "	21 <sup>3</sup> / <sub>8</sub> " - 33 <sup>3</sup> / <sub>8</sub> "	26 <sup>5</sup> / <sub>8</sub> "



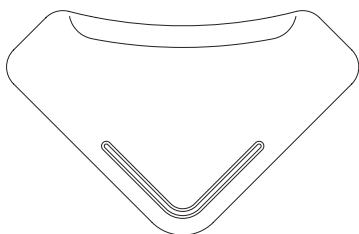
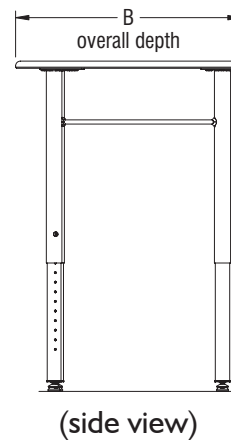
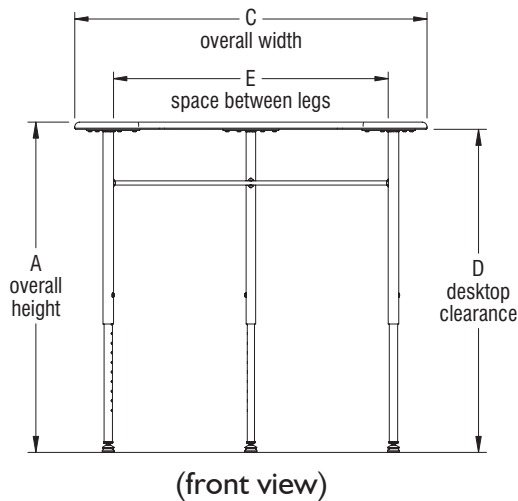
Laminate (top view)



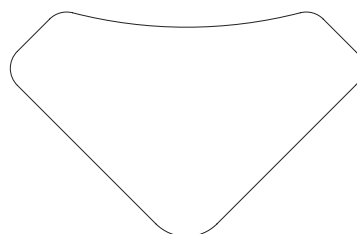
Hard Plastic (top view)

### Intellect Wave - Adjustable-Height Tripod Desk - (model IWD3LCA shown)

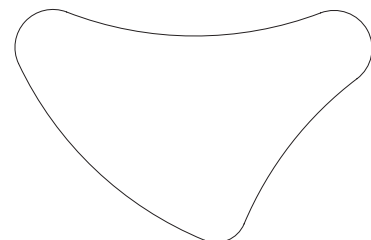
Model Number	A Overall Height	B Overall Depth	C Overall Width	D Desktop Clearance	E Space Between Legs
IWD3LCA	25", 27", or 29"	23 <sup>1</sup> / <sub>2</sub> "	36 <sup>3</sup> / <sub>4</sub> "	24 <sup>3</sup> / <sub>8</sub> ", 26 <sup>3</sup> / <sub>8</sub> ", or 28 <sup>3</sup> / <sub>8</sub> "	28 <sup>9</sup> / <sub>16</sub> "
IWD3LLA	25", 27", or 29"	24 <sup>1</sup> / <sub>4</sub> "	37 <sup>1</sup> / <sub>4</sub> "	24 <sup>3</sup> / <sub>8</sub> ", 26 <sup>3</sup> / <sub>8</sub> ", or 28 <sup>3</sup> / <sub>8</sub> "	28 <sup>9</sup> / <sub>16</sub> "
IWD3HLA	25", 27", or 29"	23 <sup>1</sup> / <sub>2</sub> "	36 <sup>3</sup> / <sub>4</sub> "	24 <sup>3</sup> / <sub>8</sub> ", 26 <sup>3</sup> / <sub>8</sub> ", or 28 <sup>3</sup> / <sub>8</sub> "	28 <sup>9</sup> / <sub>16</sub> "



Hard Plastic (top view)



Laminate (top view)

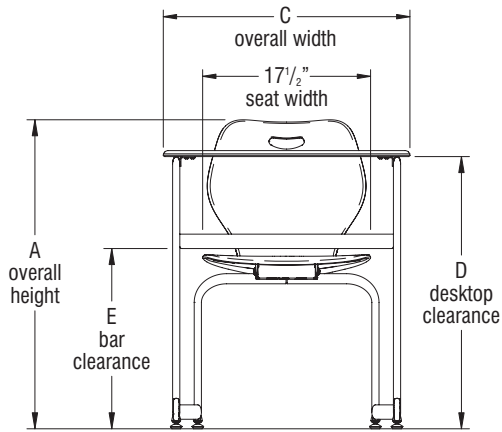


Laminate (top view)

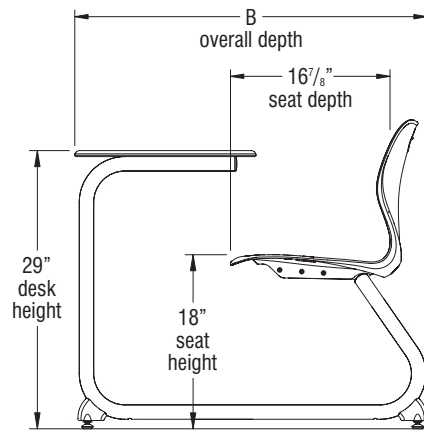
## DIMENSIONS

### Intellect Wave - Double Entry Desk - (model IWDEH shown)

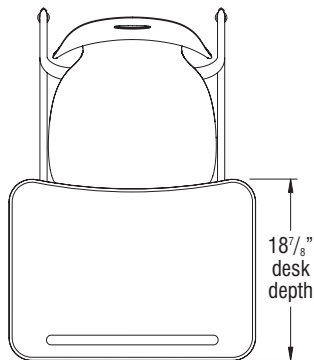
Model Number	A Overall Height	B Overall Depth	C Overall Width	D Desktop Clearance	E Bar Clearance
IWDEH	29"	36 <sup>3</sup> / <sub>4</sub> "	25 <sup>3</sup> / <sub>4</sub> "	28 <sup>3</sup> / <sub>8</sub> "	18 <sup>3</sup> / <sub>4</sub> "
IWDEL	29 <sup>1</sup> / <sub>2</sub> "	36 <sup>3</sup> / <sub>4</sub> "	26 <sup>3</sup> / <sub>8</sub> "	28 <sup>3</sup> / <sub>8</sub> "	18 <sup>3</sup> / <sub>4</sub> "



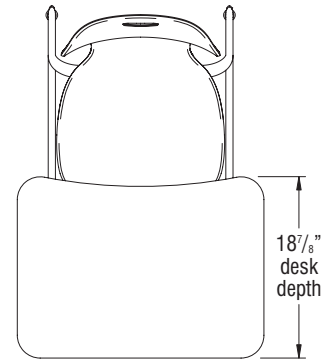
(front view)



(side view)



Hard Plastic  
(top view)

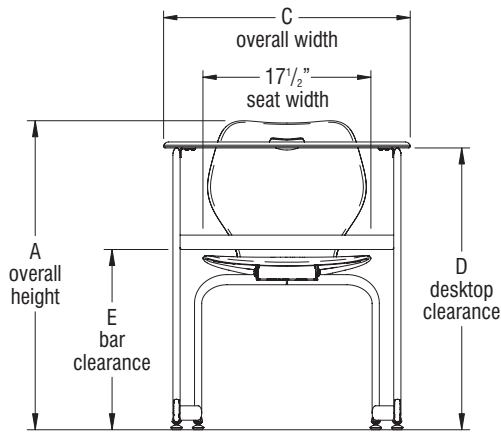


Laminate  
(top view)

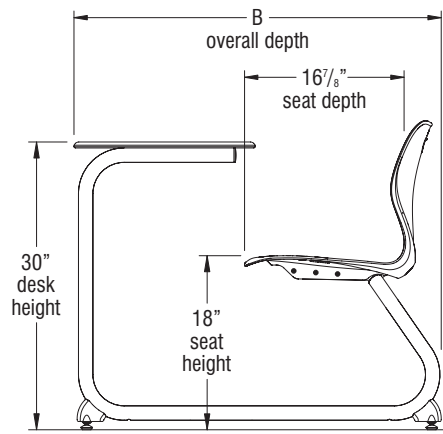
## DIMENSIONS

### Intellect Wave - XL Double Entry Desk - (model IWXDH shown)

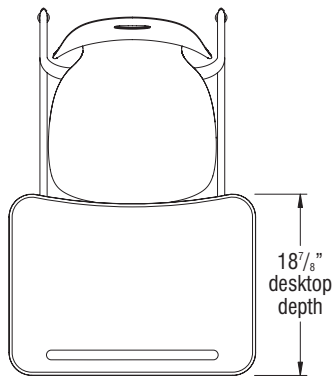
Model Number	A Overall Height	B Overall Depth	C Overall Width	D Desktop Clearance	E Bar Clearance
IWXDH	30"	38 <sup>3</sup> / <sub>8</sub> "	25 <sup>3</sup> / <sub>4</sub> "	29 <sup>3</sup> / <sub>8</sub> "	18 <sup>3</sup> / <sub>4</sub> "
IWXDL	30 <sup>1</sup> / <sub>2</sub> "	38 <sup>3</sup> / <sub>8</sub> "	26 <sup>3</sup> / <sub>8</sub> "	29 <sup>3</sup> / <sub>8</sub> "	18 <sup>3</sup> / <sub>4</sub> "



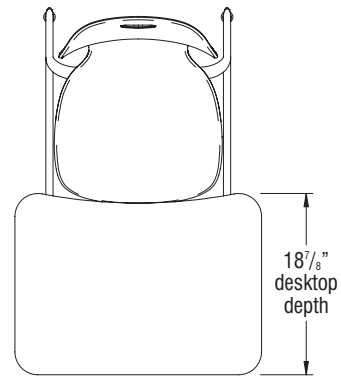
(front view)



(side view)



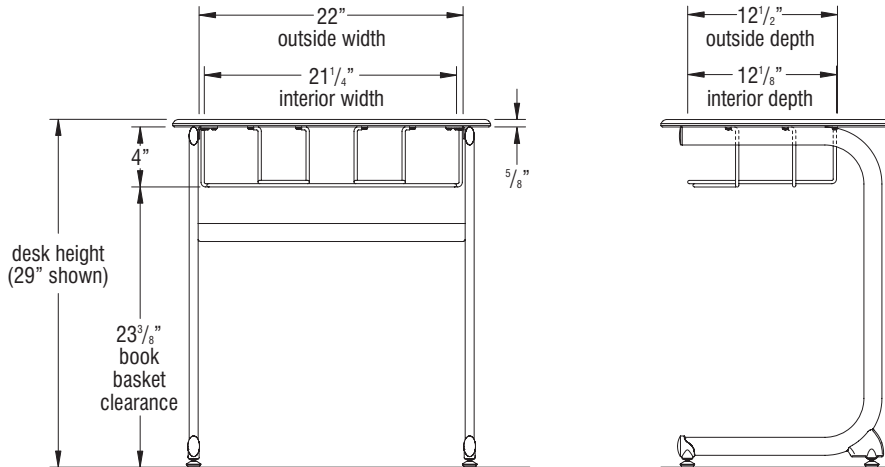
Hard Plastic  
(top view)



Laminate  
(top view)

## DIMENSIONS - Desk Storage Dimensions

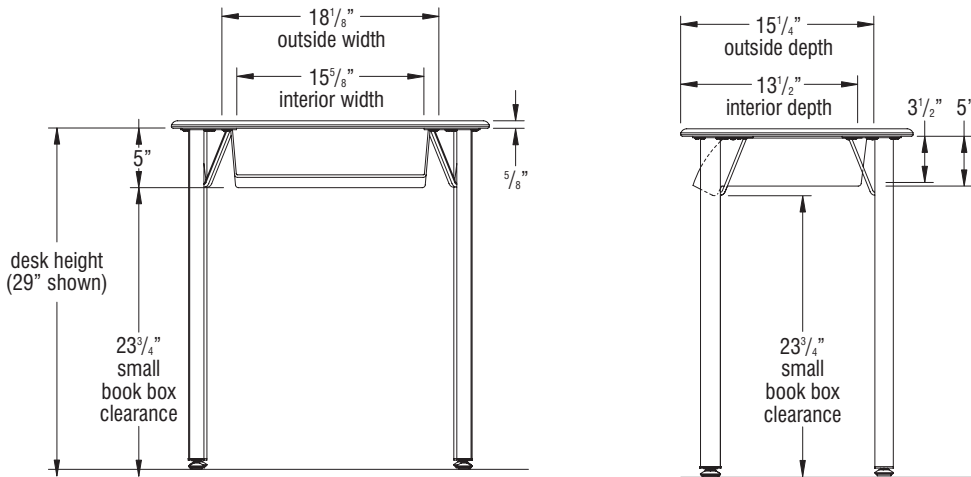
### Book Basket



	Book Basket
Model Number	46.9351
Outside Width	22"
Outside Depth	12 1/2"
Outside Height	4"
Interior Width	21 1/4"
Interior Depth	12 1/8"
Interior Height	3 1/2"

**Note:** Desks are shown with a height of 29". Adjustable-height desks adjust in 1" increments. If height is adjusted, add or subtract an inch per notch past the original set height of 29".

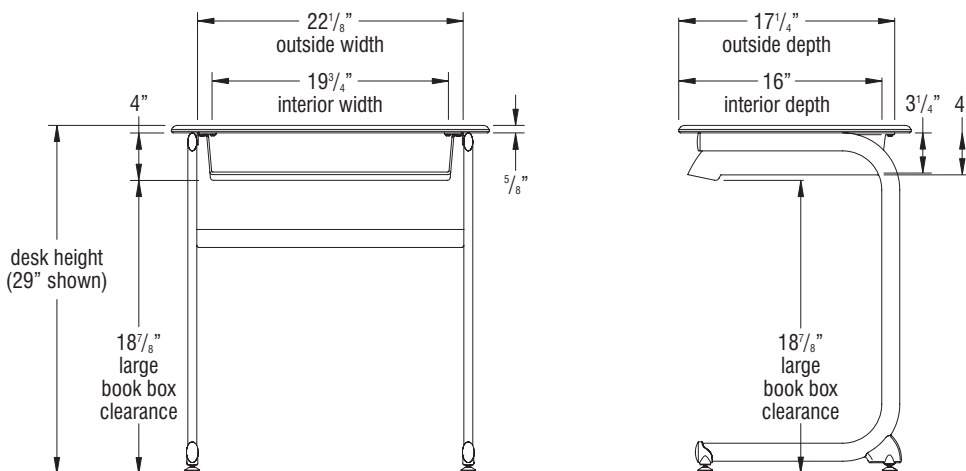
### Small Book Box



	Small Book Box
Model Number	46.6232
Outside Width	18 1/8"
Outside Depth	15 1/4"
Outside Height	5"
Interior Width	15 5/8"
Interior Depth	13 1/2"
Interior Height	3 1/2"

**Note:** Desks are shown with a height of 29". Adjustable-height desks adjust in 1" increments. If height is adjusted, add or subtract an inch per notch past the original set height of 29".

### Large Book Box



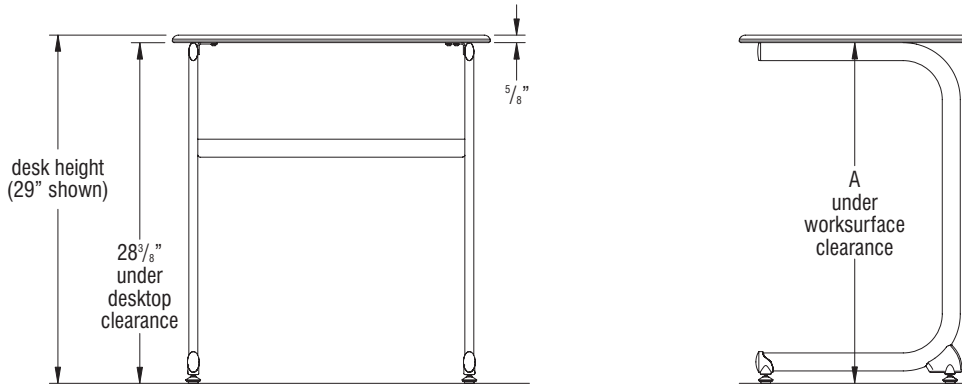
	Large Book Box
Model Number	46.9359
Outside Width	22 1/8"
Outside Depth	17 1/4"
Outside Height	4"
Interior Width	19 3/4"
Interior Depth	15 7/8"
Interior Height	3 1/4"

**Note:** Desks are shown with a height of 29". Adjustable-height desks adjust in 1" increments. If height is adjusted, add or subtract an inch per notch past the original set height of 29".



## DIMENSIONS - Desk Storage Dimensions

### Intellect Wave (with no storage)



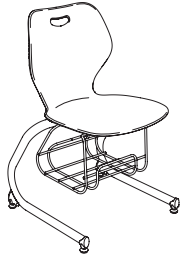
**Note:** Desks are shown with a height of 29". Adjustable-height desks adjust in 1" increments. If height is adjusted, add or subtract an inch per notch past the original set height of 29".

STATEMENT OF LINE

Intellect Wave - Cantilever Chairs (18" seat height shown)



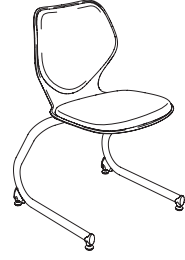
Cantilever Chair  
IWC13  
IWC15  
IWC18



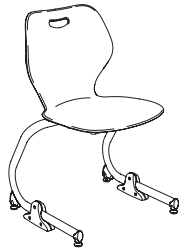
Cantilever Chair with Book Rack  
IWC18BR



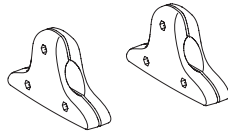
Upholstered Seat Cantilever Chair  
IWC18US  
IWC18BRUS



Upholstery Seat/Back Cantilever Chair  
IWC18UB  
IWC18BRUB



Cantilever Chair with Rocker Kit  
IWCR13  
IWCR15  
IWCR18



Intellect Wave Cantilever  
Chair Rocker Kit Only  
IWCRKIT

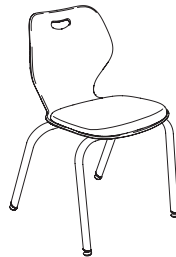
Intellect Wave - 4-Leg Chairs (18" seat height shown)



4-Leg Chair  
IW410  
IW413  
IW415  
IW418



4-Leg Chair with Book Rack  
IW418BR



Upholstered Seat 4-Leg Chair  
IW18US  
IW418BRUS

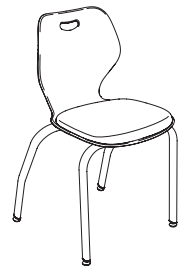


Upholstery Seat/Back 4-Leg Chair  
IW418UB  
IW418BRUB

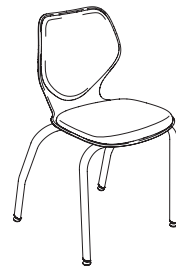
Intellect Wave - Music Chairs (19" seat height shown)



Music Chair  
IWMC16  
IWMC19  
IWMC19BR



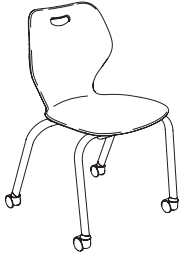
Upholstered Seat 4-Leg Chair  
IWMC19US  
IWMC19BRUS



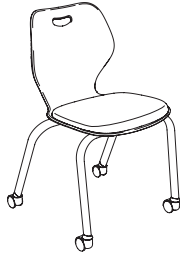
Upholstered Seat/Back 4-Leg Chair  
IWMC19UB  
IWMC19BRUB

## STATEMENT OF LINE

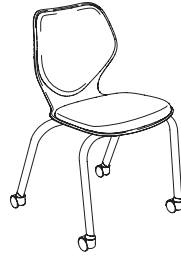
### Intellect Wave - 4-Leg Chairs with Casters (18" seat height shown)



4-Leg Chair with Casters  
IW415C  
IW418C  
IW418CBR



Upholstered Seat  
4-Leg Chair with Casters  
IW418CUS  
IW418CBRUS



Upholstered Seat/Back  
4-Leg Chair with Casters  
IW418CUB  
IW418CBRUB

### Intellect Wave - Task Chairs (18" seat height shown)



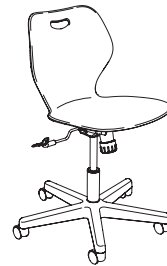
Task Chair  
IWPD15  
IWPD18  
IWPD18A



Upholstered Seat Task Chair  
IWPD18US  
IWPD18AUS



Upholstered Seat/Back Task Chair  
IWPD18UB  
IWPD18AUB



Task Chair with Tilt  
IWPD18T  
IWPD18TUS  
IWPD18TUB



Task Chair  
IWPD18A

### Intellect Wave - Task Stools



Task Stool  
IWS  
IWSA



Upholstered Seat Task Stool  
IWSUS  
IWSAUS



Upholstered Seat/Back Task Stool  
IWSUB  
IWSAUB



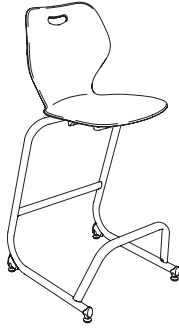
Task Stool  
IWSA

## STATEMENT OF LINE

### Intellect Wave - Café Stools

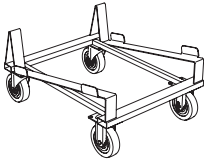


24" Café Stool  
IWCS24  
IWCS24US  
IWCS24UB

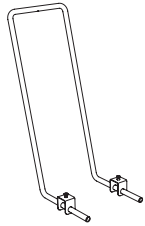


30" Café Stool  
IWCS30  
IWCS30US  
IWCS30UB

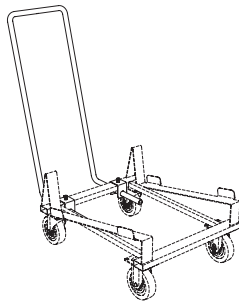
### Intellect Wave - Accessories



Dolly  
IWD.BL



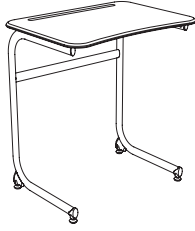
Universal Dolly Handle  
UDH.BL



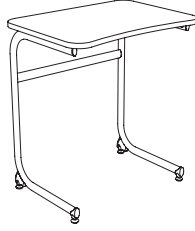
Dolly with Universal Dolly Handle  
IWD.BL and UDH.BL

# STATEMENT OF LINE

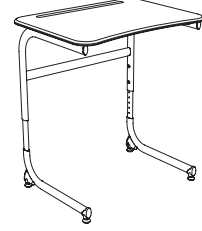
## Intellect Wave - Cantilever Desk



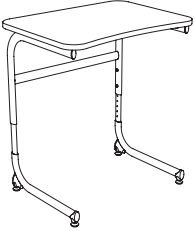
29" Height Hard Plastic Top Cantilever Desk  
IWDCH29



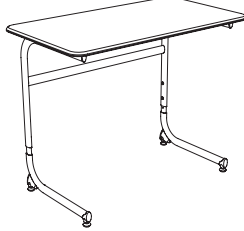
29" Height Laminate Top Cantilever Desk  
IWDCL29



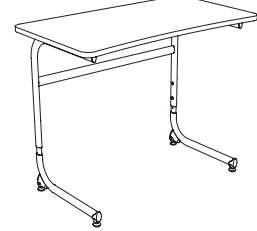
Adjustable-Height Hard Plastic Top Cantilever Desk  
IWDCHA



Adjustable-Height Laminate Top Cantilever Desk  
IWDCLA

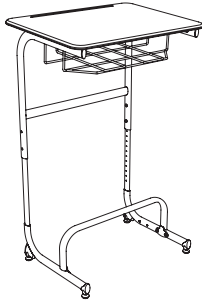


ADA Adjustable-Height Hard Plastic Top Cantilever Desk  
IWDCHADA

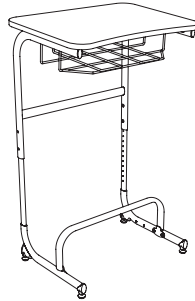


ADA Adjustable-Height Laminate Top Cantilever Desk  
IWDCLADA

## Intellect Wave - Sit/Stand Cantilever Desk

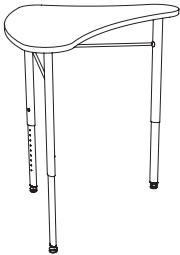


Sit/Stand Height Hard Plastic Top Cantilever Desk  
IWDSSH

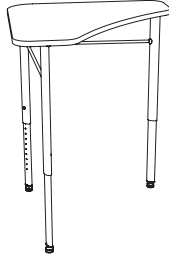


Sit/Stand Height Laminate Top Cantilever Desk  
IWDSSL

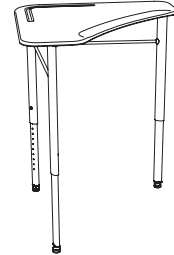
## Intellect Wave - Adjustable Height Tripod Desk



Adjustable-Height Laminate Top Tripod Desk  
IWD3LCA



Adjustable-Height Laminate Top Tripod Desk  
IWD3LLA



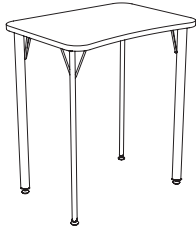
Adjustable-Height Hard Plastic Top Tripod Desk  
IWD3HLA

# STATEMENT OF LINE

## Intellect Wave - 4-Leg Desk



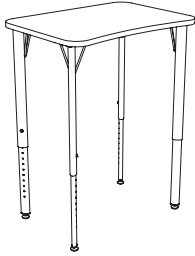
29" Height Hard Plastic Top 4-Leg Desk  
IWD4FH29



29" Height Laminate Top 4-Leg Desk  
IWD4FL29



Adjustable-Height Hard Plastic Top 4-Leg Desk  
IWD4FHA



Adjustable-Height Laminate Top 4-Leg Desk  
IWD4FLA

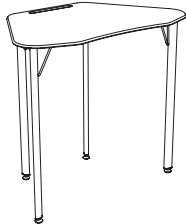


ADA Adjustable-Height Hard Plastic Top 4-Leg Desk  
IWD4FHADA

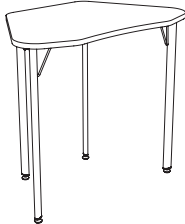


ADA Adjustable-Height Laminate Top 4-Leg Desk  
IWD4FLADA

## Intellect Wave - Trapezoid Desk



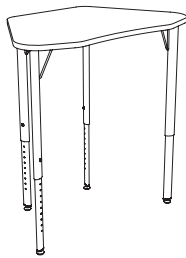
29" Height Hard Plastic Top Trapezoid Desk  
IWDTFH29



29" Height Laminate Top Trapezoid Desk  
IWDTFL29



Adjustable-Height Hard Plastic Top Trapezoid Desk  
IWDTFHA

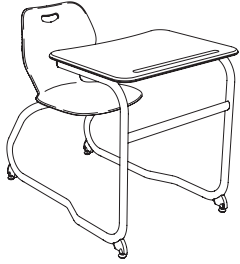


Adjustable-Height Laminate Top Trapezoid Desk  
IWDTFLA

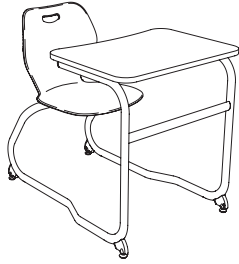
STATEMENT OF LINE

CODE COMPLIANCE

Intellect Wave - Double Entry Desk

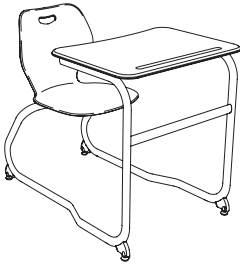


Hard Plastic Top Double Entry Desk  
IWDEH  
IWDEHBR  
IWDEHUS  
IWDEHBRUS  
IWDEHUB  
IWDEHBRUB

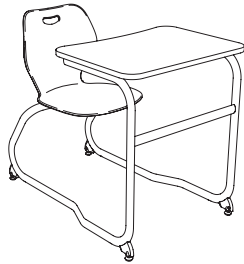


Laminate Top Double Entry Desk  
IWDEL  
IWDELBR  
IWDELUS  
IWDELBRUS  
IWDELUB  
IWDELBRUB

Intellect Wave - XL Double Entry Desk



Hard Plastic Top XL Double Entry Desk  
IWXDH  
IWXDHBR  
IWXDHUS  
IWXDHBRUS  
IWXDHUB  
IWXDHBRUB



Laminate Top XL Double Entry Desk  
IWXDL  
IWXDLBR  
IWXDLUS  
IWXDLBRUS  
IWXDLUB  
IWXDLBRUB