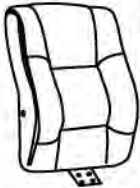





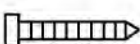


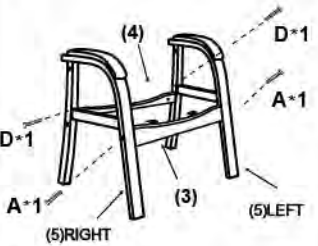
**IMPORTANT NOTICE:
HARDWARE PACKAGE IS ATTACHED
ON THE BOTTOM OF SEAT CUSHION.**

MODEL: AELD40 / B8999

(1)X1  Back	(2)X1  Seat	(3)X1  WF031-FB Front Bar
(4)X1  WF031-BB Back Bar	(5)X1 (L)  WF031-RF Wood Frame-Right	(5)X1 (R)  WF031-LF Wood Frame-Left

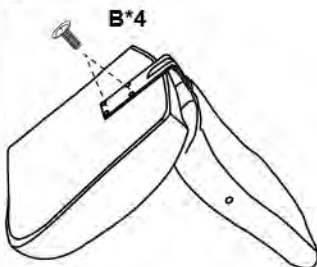
- (A)x2  **M6*65 Front Frame**
- (B)x4  **M6*25 L-bar**
- (C)x2  **M6*20 Front Bar**
- (D)x4  **M6*35 Back Frame**
- (E)x6  **Insert Caps**
- (F)x1  **Allen key**

1

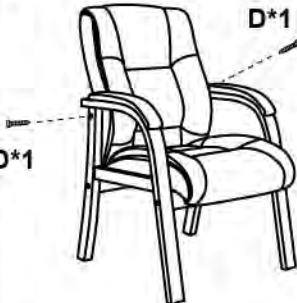


Note: Lightly tighten all screws.

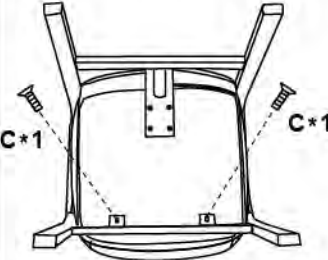
2



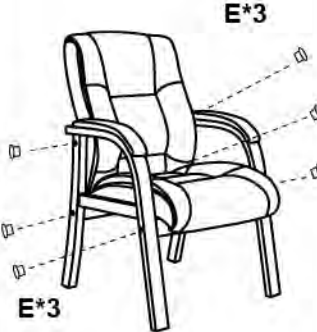
3



4



5



NOTE: Before insert all 6 (E) wood caps to screw holes:
1. Tighten ALL 6 screws on step 4, then insert ALL 6 (D) wood caps to finish.

Insert and loosely tighten all screws. When assembly is completed, fully tighten all screws before using. This chair is only intended for sitting. Any other use will void the warranty.

