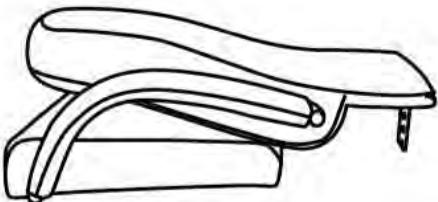
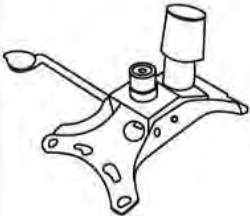
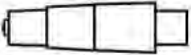

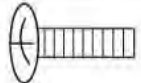
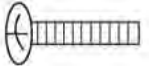


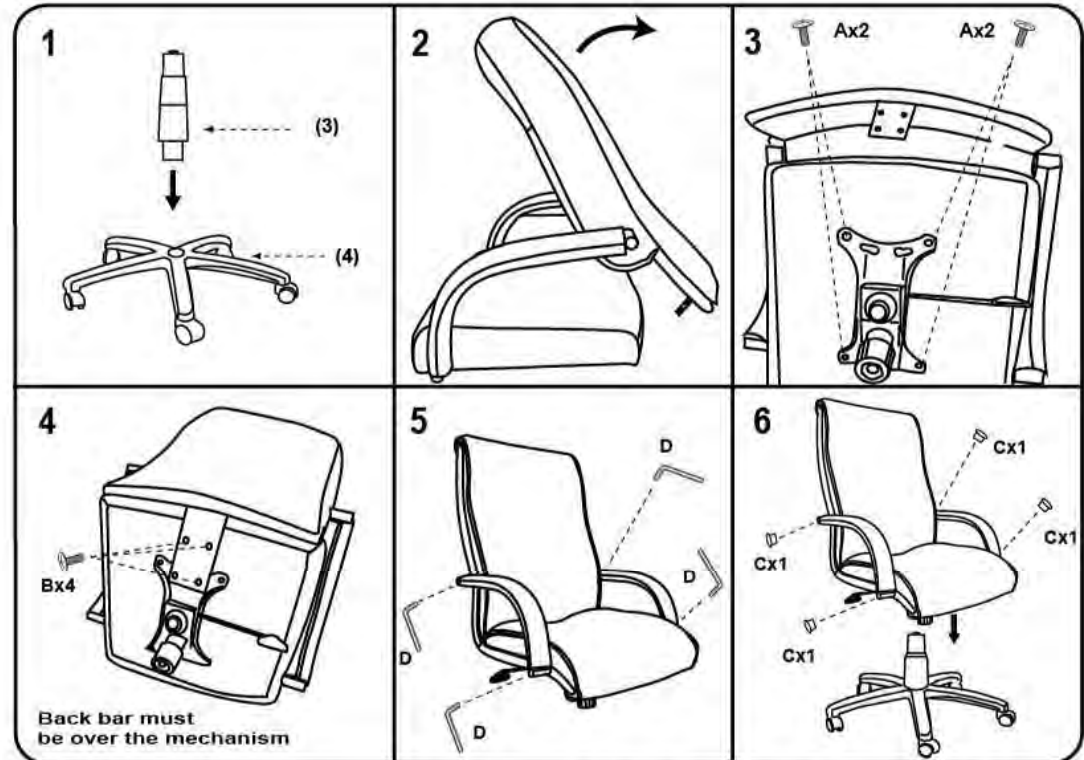


**IMPORTANT NOTICE:  
HARDWARE PACKAGE IS ATTACHED  
ON THE BOTTOM OF SEAT CUSHION.**

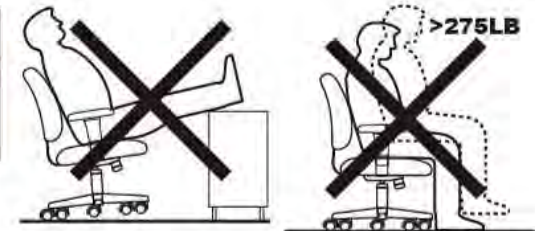
MODEL: B8376/B8386/B8901/B8906/B8911/B8912/HS1080 Series  
1245 1265

(1)x1		
 <p>Back &amp; Seat W/ ARMS</p>		
(2)x1	(3)x1	(4)x1
 <p>Mechanism</p>	 <p>Gas Lift W/ Cover</p>	 <p>5-Star Base</p>
(A)*4PCS		<b>M8*22 MECHANISM SCREW</b>
(B)*4PCS		<b>M6*30 BACK BAR SCREWS</b>
(C)*4PCS		<b>ARM CAP</b>
(D)*1PC		<b>ALLEN KEY</b>



**Note: Please tighten all arm screws using allen key before step 6**

**Insert and loosely tighten all screws. When assembly is completed, fully tighten all screws before using. This chair is only intended for sitting. Any other use will void the warranty.**



**If the chair is not working properly, is missing a part, is damaged, or if you have any questions, please call customer service hotline before returning.**