

# Repair & Replacement Instructions ■

Doni®, Grazie®, Intellect Wave®, Ruckus™, Strive® & Versa® Seating  
4-Leg Stack Chair Glide Replacement

March 2019

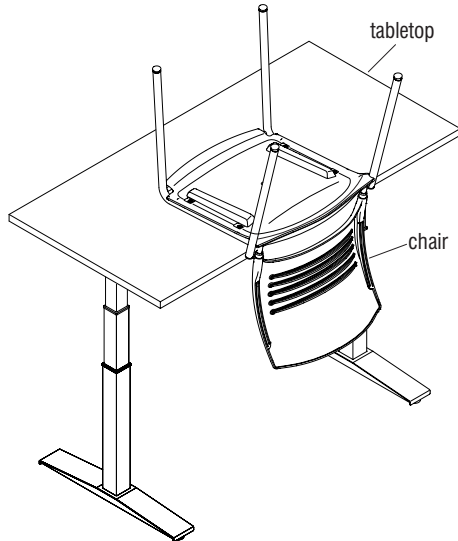


Figure 1

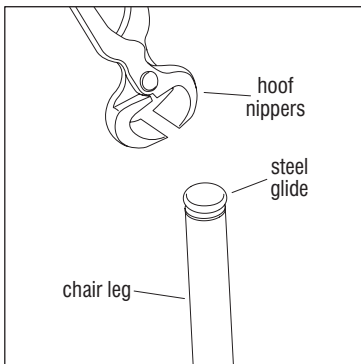


Figure 2

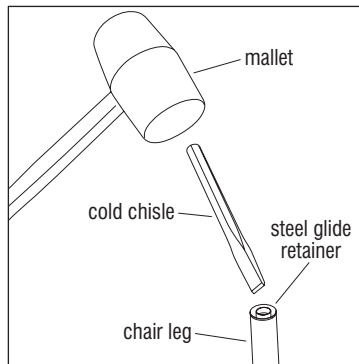


Figure 3

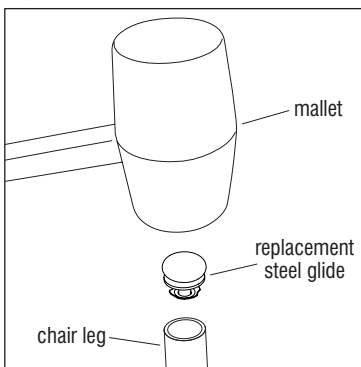


Figure 4

## Steel Glide Replacement

1. Place chair upside down onto a soft, protective surface or with the seat portion sitting on a table as illustrated (Figure 1).
2. Using a hoof nippers, cut/break the glide portion off. Throw un-used glide end away (Figure 2).
3. Next, using a mallet and cold chisel, knock the glide retainer deeper into the leg so that there is enough room to insert a new glide (Figure 3).
4. With retainer out of the way, insert new glide and press into the leg. The glide may need to be lightly tapped in using a rubber mallet (Figure 4).



Assemble units as described herein only. To do otherwise may result in instability. All screws, nuts and bolts must be tightened securely and must be checked periodically after assembly. Failure to assemble properly, or to secure parts may result in assembly failure and personal injury.

# ■ Doni®, Grazie®, Intellect Wave®, Ruckus™, Strive® & Versa® Seating - 4-Leg Stack Chair Glide Replacement Repair & Replacement Instructions



Assemble units as described herein only. To do otherwise may result in instability. All screws, nuts and bolts must be tightened securely and must be checked periodically after assembly. Failure to assemble properly, or to secure parts may result in assembly failure and personal injury.

## Poly Glide Replacement

1. Place chair upside down onto a soft, protective surface or with the seat portion sitting on a table as illustrated (Figure 1).
2. Using a putty knife, pry up on the glide edge until it is free (Figure 2).
3. Once glide is removed, press in the new replacement glide (Figure 3).

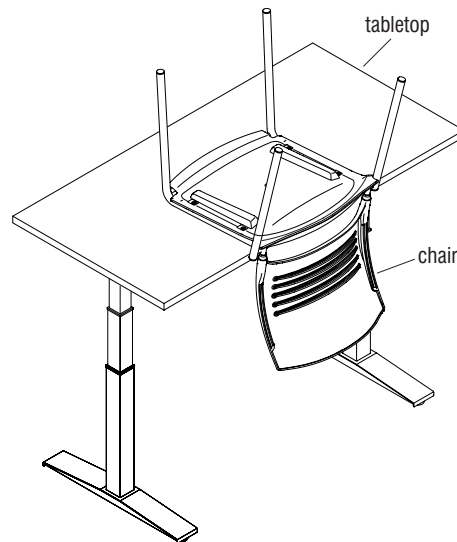


Figure 1

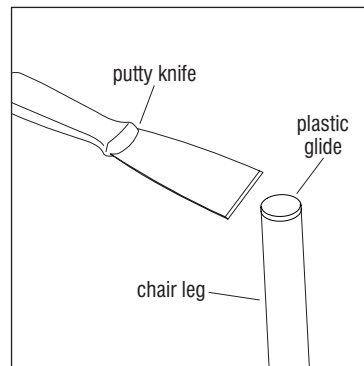


Figure 2

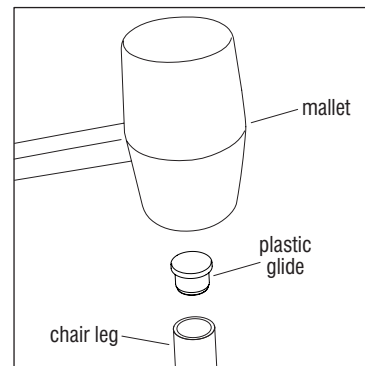


Figure 3