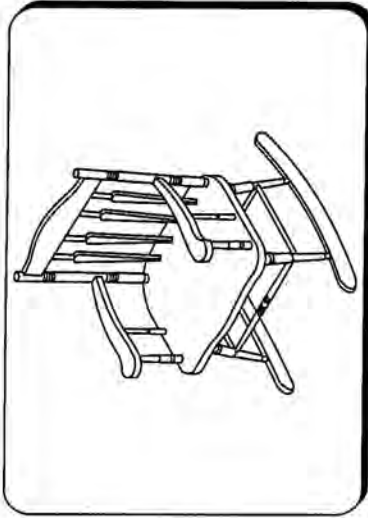


Whitney Bros. Co.
Since 1904

EARLY LEARNING MATERIALS

**SHERWOOD CHILDS ROCKING CHAIR
ASSEMBLY INSTRUCTIONS**



⚠ WARNING:

Contains bolts and other small parts that may present a choking hazard for children.
This unit must be assembled by an adult.

TO CLEAN:

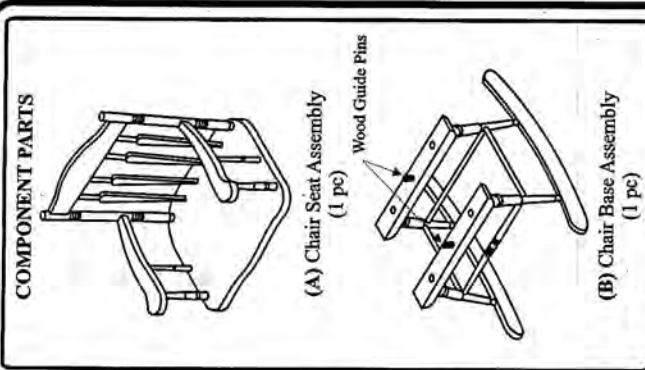
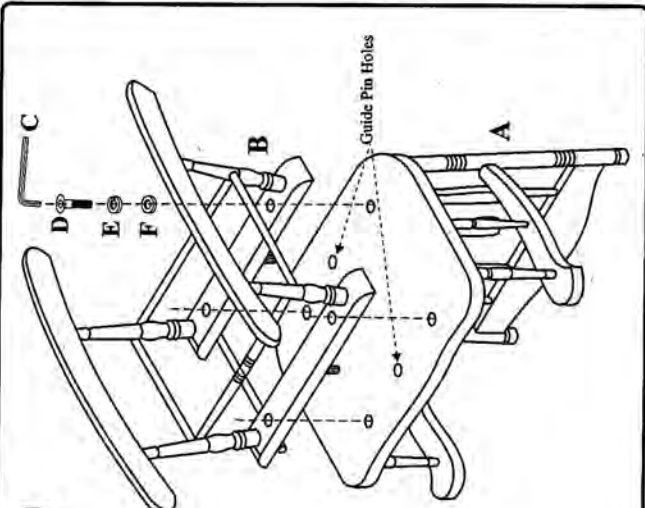
Wash with mild soap and a damp cloth. Do not use abrasives. Avoid furniture polish that may be hazardous to a child. If refinishing, use a non-toxic finish specified for Children's products.

To Assemble chair:

- Take all parts out of the box and remove all hardware from the plastic bag. DISCARD BAG immediately as it can be a suffocation hazard.
- As shown in diagram, assemble the top and bottom of the rocking chair with the bolts supplied. Ensure that you use the washers as shown for a stronger assembly. To make assembly easier, two wood guide pins have been factory assembled on the base of the chair. Simply line these up with the holes in the bottom of the seat. Ensure that the base is pointed in the correct direction as shown. ONLY hand tighten the bolts at this time.
- When all bolts are in place you can tighten with the Allen head/Hex Wrench supplied. Do not over tighten bolt.
- Save instruction sheet and assembly tools in a safe place for future use.

⚠ CAUTION: Periodically check the safety of your product by making certain all screws, nuts, and bolts are tightened securely.

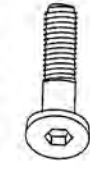
1



ASSEMBLY HARDWARE SET



(C) Allen Key
(1 pc)
#07-00001



(D) Assembly Bolt
(4 pcs)
#07-02650



(E) Lock Washer
(4 pcs)
#07-01003



(F) Washer
(4 pcs)
#07-01002

Whitney Bros. Co.
Since 1904
EARLY LEARNING MATERIALS

Whitney Bros. Co.
Box 644, Keene, NH 03431
1-800-225-5381
www.whitneybros.com

MADE IN CHINA