

CABINET BASES

Take advantage of the space under your work surface. All welded steel construction makes these free-standing cabinet bases the right choice to support and organize your existing work area. Choose single-door, double-door, sliding-door, all drawer and door-drawer combination cabinets for a strong foundation to your shop, lab or factory.



Options:

Add an optional base riser & add 4" in height.

Risers are 18" or 21" deep.

All cabinets come with one shelf.

Additional shelves can be added.

Add trolley base with casters.

Add a woodworking vise to maple top.

Tops

Maple Top (2 1/4" thick)

Steel Cap Top (2" thick)

Top Width x Depth:

48" x 24"

60" x 24"

72" x 24"

96" x 24"

64" x 54"

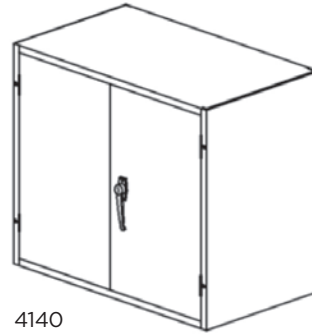
Cabinet Bases

21"D Cabinets

- 4140 Double Door with lock
- 4140PK Individual Cartoned Unit

- 4135 Sliding Door with lock
- 4135PK Individual Cartoned Unit

- 4180 Double Drawer/Double Door with lock
- 4180PK Individual Cartoned Unit



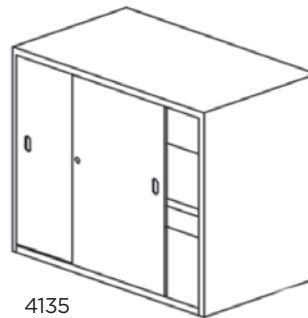
4140



4139

Base Risers

- 4" Risers (adaptable to all cabinet models)
- No. 36214 36" wide x 21" deep x 4" high
- No. 36184 36" wide x 18" deep x 4" high
- No. 18214 18" wide x 21" deep x 4" high
- No. 18184 18" wide x 18" deep x 4" high
- No. 12214 12" wide x 21" deep x 4" high
- No. 12184 12" wide x 18" deep x 4" high



4135

Cylinder Locks

- 870049 Sliding Doors
 - 8700491 Sliding Doors - Installed
 - 870053 Drawers or Hinged Doors
 - 8700531 Drawers or Hinged Doors - Installed
 - 870240 Locking Handle
 - 8702401 Locking Handle - Installed
 - 870241 Master Key for locking handle
 - 870247 Master Key for cylinder lock
- All locks are keyed differently

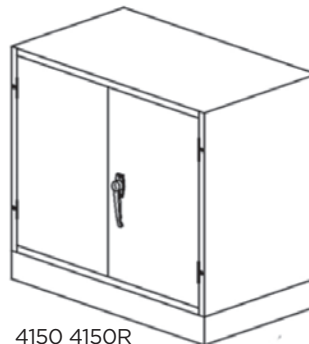


4180

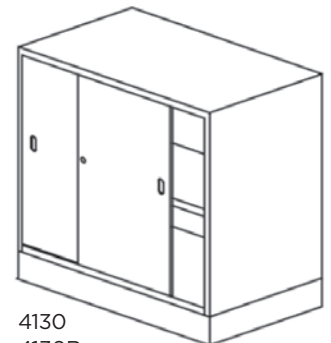
Attaching Angles - Pairs

Attaching angles for mounting hardboard, maple, an steel cap tops (with cores) to 4000 and 5000 series cabinets and lockers.

- No. 21 17" for 21" deep applications
- No. 42 38" for 42" deep applications



4150 4150R



4130
4130R