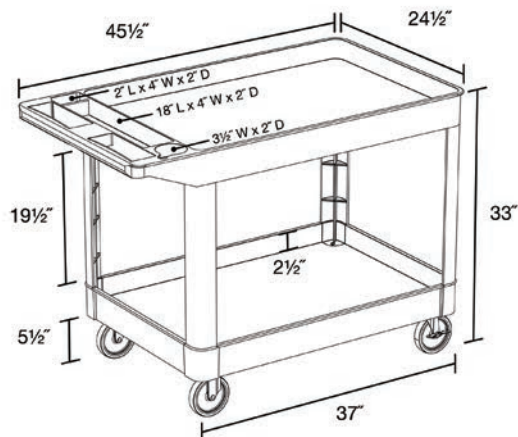


# XLC11-B-OUTRIG

## 24.5" X 45.5" HEAVY DUTY UTILITY TUB CART - TWO SHELVES WITH OUTRIGGER UTILITY CART BINS

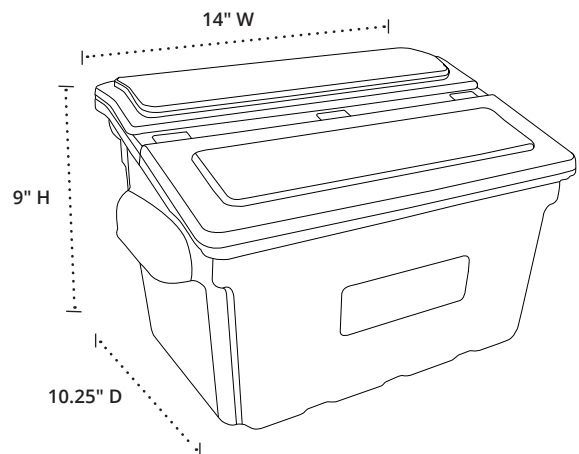
### Product Specifications

<b>Item Number</b>	<b>XLC11-B</b>
<b>Material</b>	Injection molded thermoplastic resin - Legs: polyvinyl chloride (PVC) - Shelves: high density polyethylene (HDPE)
<b>Color Options</b>	Black
<b>Cart Dimensions:</b>	24.5" W x 45.5" L x 33" - 36" H (height varies by caster size)
<b>Weight</b>	37.8 lbs.
<b>Shelf Quantity</b>	2
<b>Shelf Dimensions</b>	37" W x 24.5" D
<b>Shelf Depth</b>	2.5"
<b>Distance Between Shelves</b>	22.5"
<b>Casters (4)</b>	4 caster options (non-marking, each with 2 locking brakes): • 5" heavy-duty • 5" semi-pneumatic • 6" semi-pneumatic • 8" fully-pneumatic
<b>Weight Capacity</b>	500 lbs.
<b>Made in USA</b>	Yes
<b>Shipping Method</b>	Ground
<b>Shipping Carton Dims</b>	1 carton: 25" W x 45" D x 8" H
<b>Shipping Weight</b>	46 lbs.
<b>Assembly Required</b>	Yes
<b>Meets ANSI/BIFMA Standards</b>	Yes



<b>Item Number</b>	<b>OUTRIGBIN-2PK</b>
<b>Material</b>	Injection molded polypropylene
<b>Color Options</b>	Black
<b>Overall Dimensions</b>	10.25" D x 14" W x 9" H
<b>Mounting Lip Dimensions</b>	5/8" D x 13" W x 6/8" H
<b>Weight</b>	4.85 lbs.
<b>Interior Capacity</b>	3 gallons
<b>Weight Capacity</b>	25 lbs.
<b>Grab Handles</b>	2 (one on each side)
<b>Includes:</b>	2 bins, 2 lids
<b>Shipping Method</b>	Ground
<b>Shipping Carton Dims</b>	1 carton: 16" W x 11" D x 15" H
<b>Shipping Weight</b>	7 lbs.

To Order, Call Your Sales Representative  
or 800-323-4656



# LUXOR

INNOVATIVE WORKSPACE PRODUCT SOLUTIONS