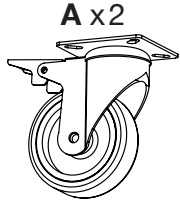


Parts Key



Caster, Locking



Caster, Non-Locking



Bolt, Phillips Head



Lock Washer



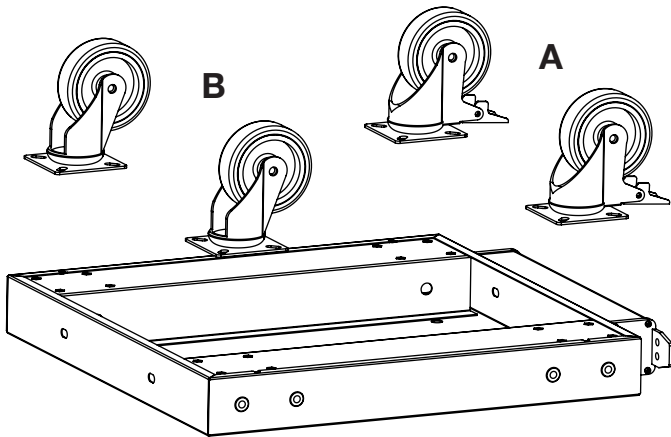
Flat Washer



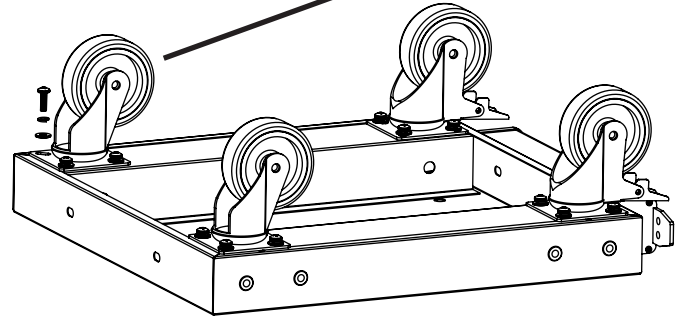
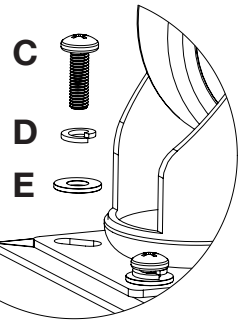
Thumbscrew

- 1** Flip the Dolly over and position the casters over the corresponding threaded mount holes.

IMPORTANT: Position the locking casters on the end next to the power strip.



- 2** Insert each bolt into a lock washer, then a flat washer, then use to attach the casters to the Dolly.



- 3** Using the thumbscrews, attach the Modular Charging Cabinet.

IMPORTANT: Position the Charging Cabinet so the cabinet door faces perpendicular to the edge of the Dolly with the power strip.

