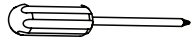


# LUXOR WORKSPACES

www.luxorworkspaces.com  
800-323-4656

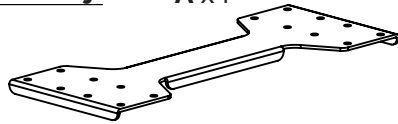
## LLMCDC Modular Charging Cabinet - Dolly Connection Plate Assembly Instructions

**Tools Required:**  
Phillips Head Screwdriver



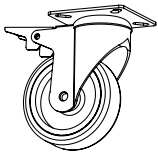
\* Phillips head bolts come with the Dolly assemblies.  
\*\* Thumbscrews come with the Modular Charging Cabinet assemblies.

### Parts Key



Connection Plate

**B x 4**



Caster,  
Locking

**C x 4**



Caster,  
Non-Locking

**D x 32**



Bolt,  
Phillips Head

**E x 32**



Lock Washer

**F x 32**



Flat  
Washer

**G x 8**

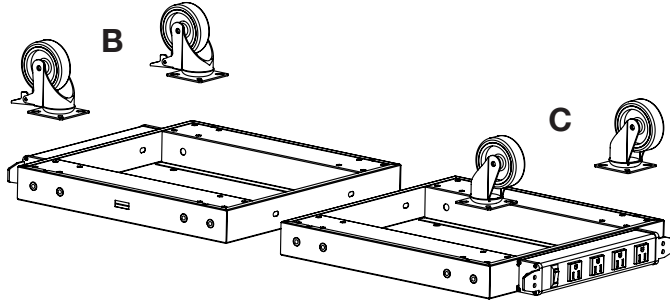


Thumbscrew

**1**

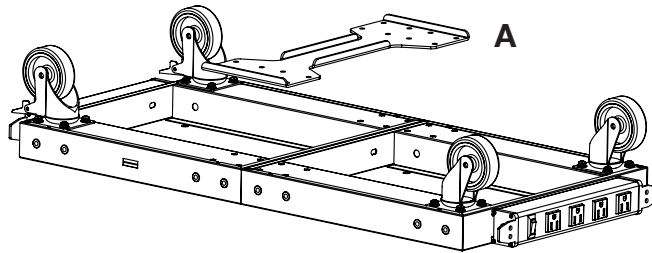
Flip the Dollies over, position them end-to-end with the power strips facing out, and position the casters at each corner over the corresponding threaded mount holes.

**IMPORTANT:** Position at least one set of locking casters on one end. If desired, you can place a locking caster at all four corners.



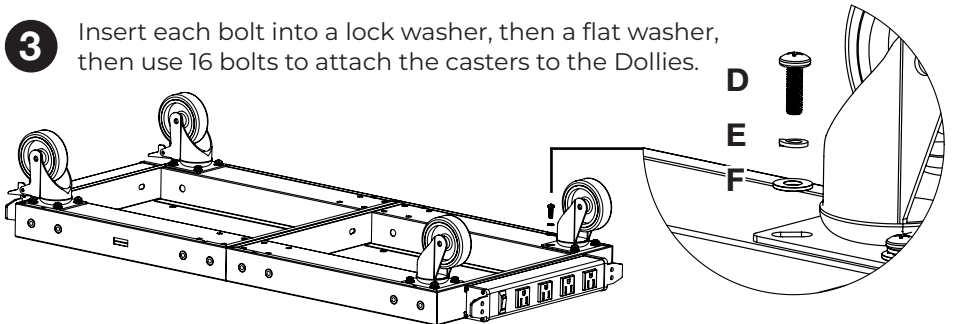
**2**

Position the Connection Plate over the corresponding threaded mount holes where the two Dollies are joined.



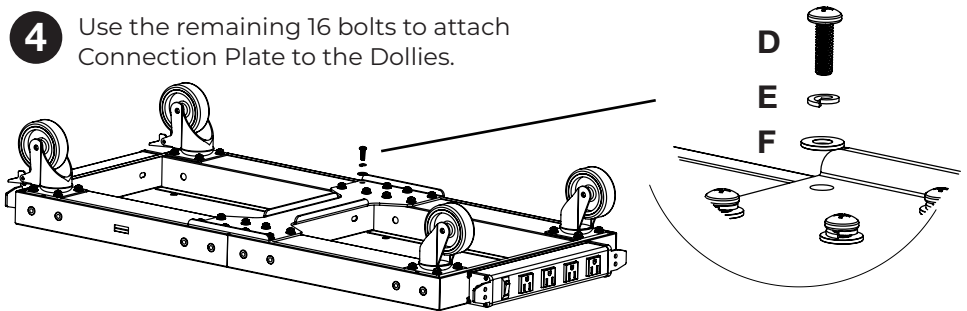
**3**

Insert each bolt into a lock washer, then a flat washer, then use 16 bolts to attach the casters to the Dollies.



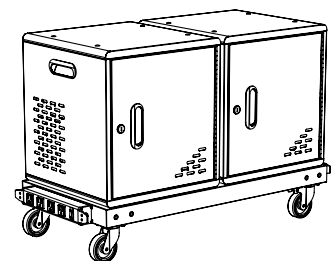
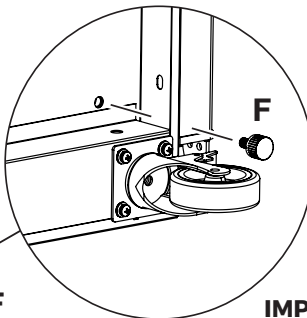
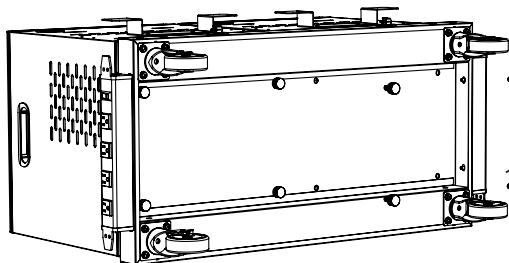
**4**

Use the remaining 16 bolts to attach Connection Plate to the Dollies.



**5**

Using the thumbscrews, attach the Modular Charging Cabinets.



**IMPORTANT:** Position the Charging Cabinets so the cabinet doors face perpendicular to the power strips.