

SONIK® SOFT SEATING SINGLE CHAIR

MADE BY  MARCO

FEATURES

- All Foam Construction
- Durable Vinyl Upholstery Covering
- Reinforced Seams and Stitching
- Wood Base
- 1.5" Carpin Glides (4 total)



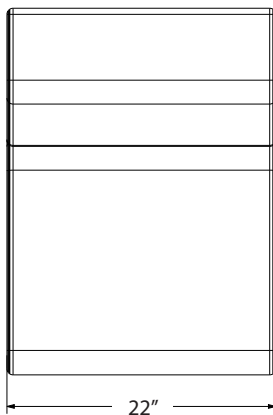
Combine with Outer Wedge and Single Chair models to create circular, straight, angled or serpentine arrangements.



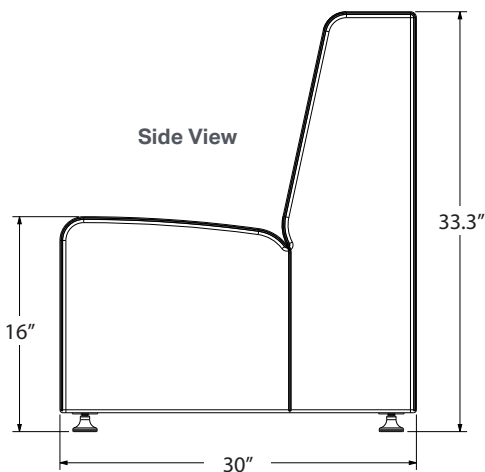
Single Chair

Model LF1003

Top View



Side View



| MODEL | DESCRIPTION | HEIGHT | WIDTH | DEPTH | WEIGHT | F.C. |
|------------|------------------|--------|-------|-------|---------|------|
| LF1003-xxx | 16"(seat height) | 33.3" | 22" | 30" | 25 lbs. | 250 |
| LF1004-xxx | 18"(seat height) | 35.3" | 22" | 30" | 26 lbs. | 250 |

OPTIONAL ACCESSORIES

CASTERS Model # 98-1007

The twin-wheel nylon casters deliver smooth, agile mobility that helps enhance in-class collaboration by allowing quick classroom rearranging when you need it.



STANDARD FABRIC OPTIONS



Special order colors are also available. See our catalog for details or go to marcogroupinc.com > [resources](#) > [materials and finishes](#) to see our full line of fabric options.

LEAD-TIME: Models ordered with Standard Colors ship within 4-6 weeks. Models ordered with Special Order Colors ship within 6-8 weeks. **Note:** To ship in 4-6 weeks, all products on a purchase order MUST be 6-week lead-time or less. If any item on a purchase order is not considered a 6-week lead-time or less, the entire order will ship at the time the longest lead-time item is available.

