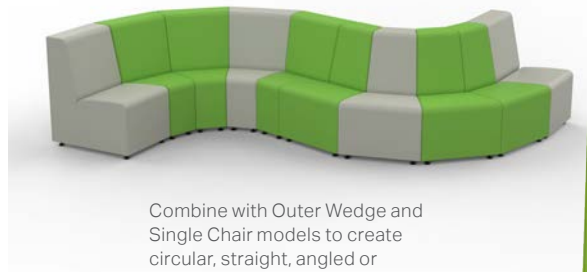


# SONIK® SOFT SEATING INNER WEDGE CHAIR

MADE BY  MARCO

## FEATURES

- All Foam Construction
- Durable Vinyl Upholstery Covering
- Reinforced Seams and Stitching
- Wood Base
- 1.5" Carpin Glides (4 total)



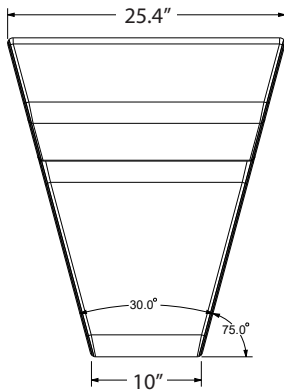
Combine with Outer Wedge and Single Chair models to create circular, straight, angled or serpentine arrangements.



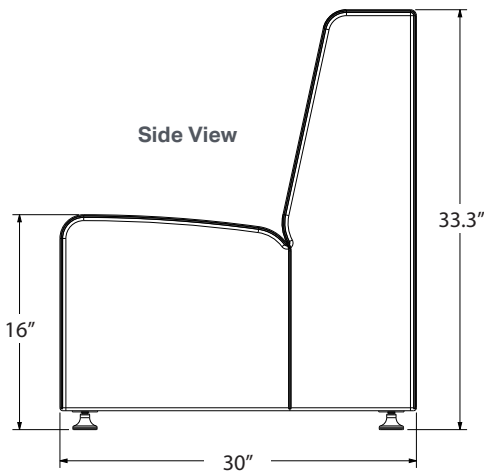
## Inner Wedge Chair

Model LF1022

Top View



Side View



MODEL	DESCRIPTION	HEIGHT	WIDTH	DEPTH	WEIGHT	F.C.
LF1022-xxx	16"(seat height)	33.3"	25.4"	30"	23 lbs.	250
LF1023-xxx	18"(seat height)	35.3"	25.4"	30"	24 lbs.	250

## OPTIONAL ACCESSORIES

### CASTERS Model # 98-1007

The twin-wheel nylon casters deliver smooth, agile mobility that helps enhance in-class collaboration by allowing quick classroom rearranging when you need it.



## STANDARD FABRIC OPTIONS



Special order colors are also available. See our catalog for details or go to [marcogroupinc.com](http://marcogroupinc.com) > [resources](#) > [materials and finishes](#) to see our full line of fabric options.

**LEAD-TIME:** Models ordered with Standard Colors ship within 4-6 weeks. Models ordered with Special Order Colors ship within 6-8 weeks. **Note:** To ship in 4-6 weeks, all products on a purchase order MUST be 6-week lead-time or less. If any item on a purchase order is not considered a 6-week lead-time or less, the entire order will ship at the time the longest lead-time item is available.

