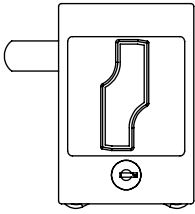
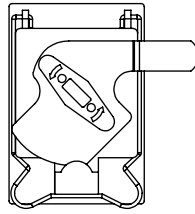


Lock Removal and Installation Instruction Sheet

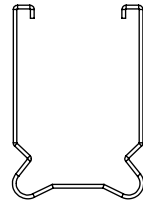
Requires: Flat Head or Phillips Screwdriver



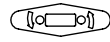
Lock Body (Front)



Lock Body (Back)

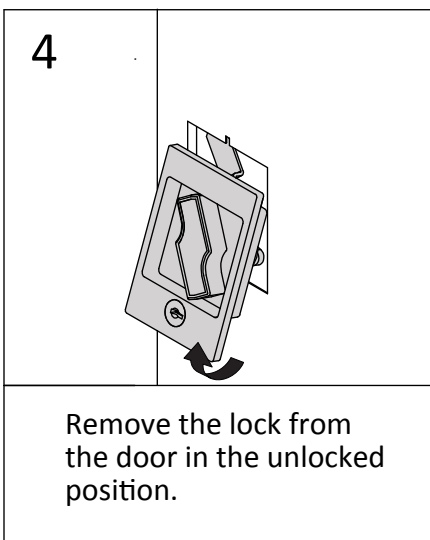
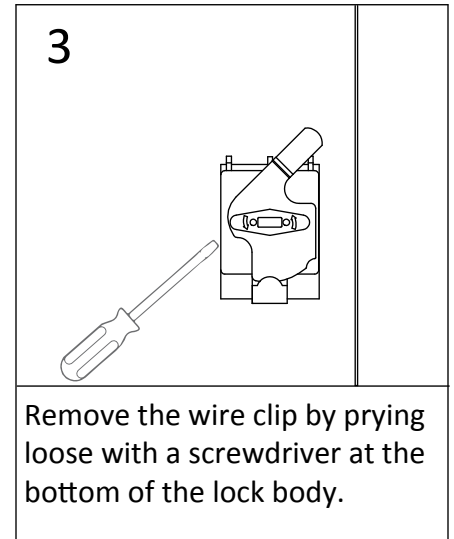
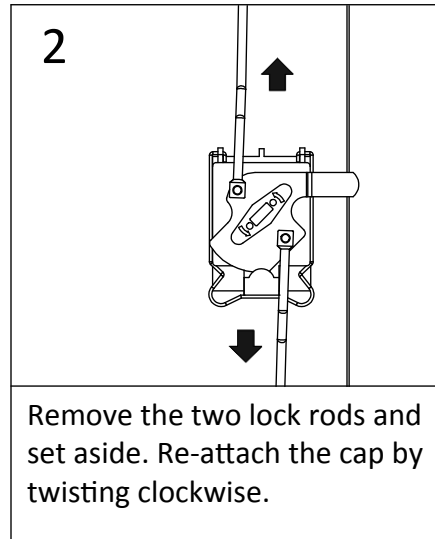
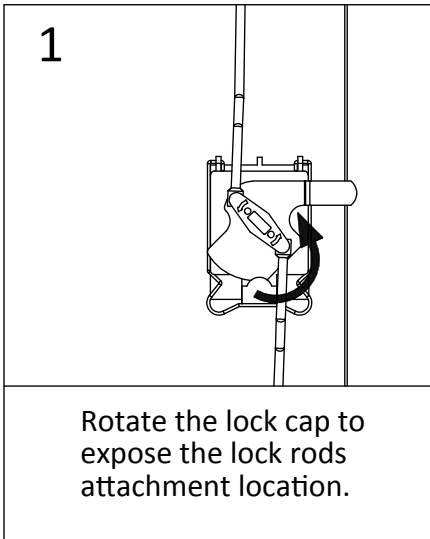


Wire Clip



Cap

Lock Removal:



Lock Installation:

Step 1: In the unlock position, insert the lock into the door. (Image 4)

Step 2: Secure the lock to the door by placing the wireclip as shown until it snaps into place. (Image 5)

Step 3: Remove the cap and attach the lock rods, then reattach the cap (Image 2)

