

# Swerve

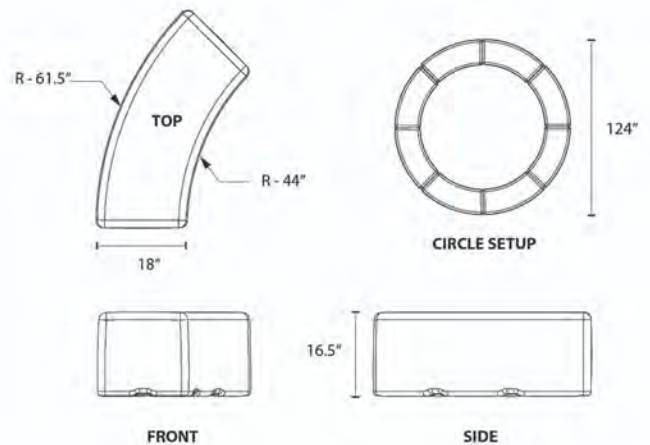
Session - Recovered Coastal Plastic



## Item # 11701BX\_\_: Swerve Bench (arc design)

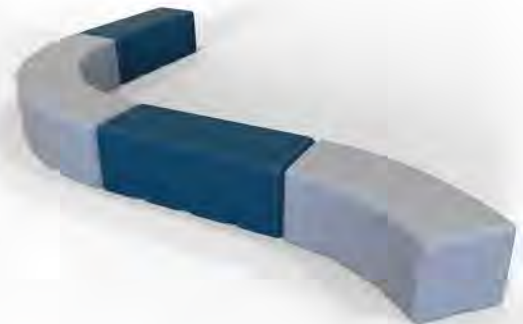
47" Length - 18" Width - 16.5" Seat Height, 35 lbs

Tenjam has made a giant leap forward in recycled materials and proven that Recovered Coastal Plastic (RCP) can be economically recovered, recycled, and turned into high performance products. RCP is plastic debris recovered from shorelines, waterways, and coastal communities where it's intercepted before entering the ocean. All Tenjam Session Series products include a varying percentage of RCP material in their construction. This is a hard plastic product suitable for indoor and outdoor environments. 100% recyclable. Certified for healthy indoor air quality.



## Session Series Standard Colors

			
<b>Yellow</b>	<b>Orange</b>	<b>Red</b>	<b>Violet</b>
Color Code: <b>YE</b>	Color Code: <b>OR</b>	Color Code: <b>RD</b>	Color Code: <b>VI</b>
			
<b>Pure Green</b>	<b>Lime Green</b>	<b>Anthracite Gray</b>	<b>Medium Gray</b>
Color Code: <b>PG</b>	Color Code: <b>LM</b>	Color Code: <b>AG</b>	Color Code: <b>MG</b>
			
<b>Light Blue</b>	<b>Surf Blue</b>	<b>Medium Blue</b>	<b>Dark Blue</b>
Color Code: <b>LB</b>	Color Code: <b>SB</b>	Color Code: <b>MB</b>	Color Code: <b>DB</b>
			
<b>Cobblestone</b>	<b>Gray Granite</b>	<b>River Rock</b>	
Color Code: <b>CS</b>	Color Code: <b>GG</b>	Color Code: <b>RR</b>	

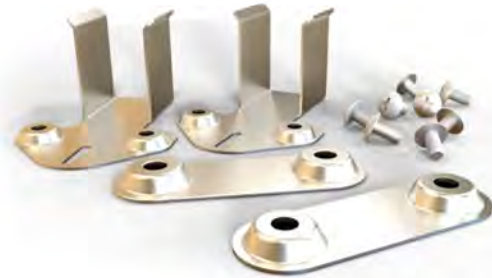


## GANGING INSTRUCTIONS - SWERVE & DASH

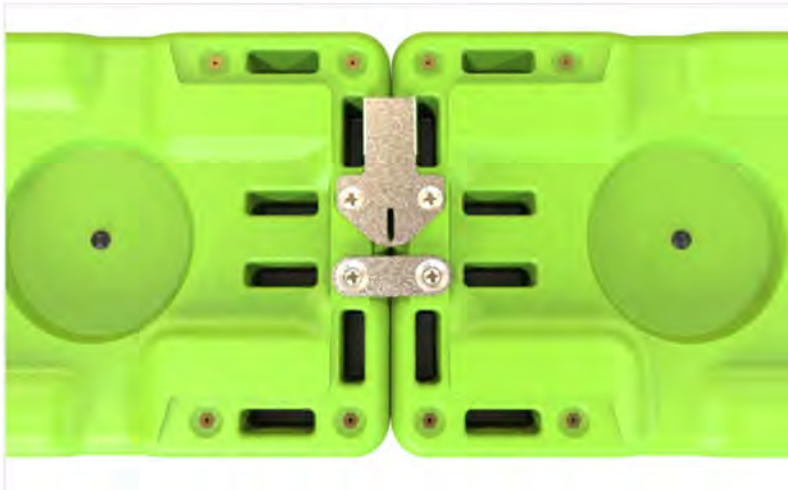
### Ganging Bracket Kit for Dash & Swerve

Optional Item # 90501XXSS

Both Swerve and Dash have the ability to be connected to one another in several different configurations, or to be anchored to the floor. This is done with optional ganging brackets made of stainless steel. Kit #90501XXSS includes 2 Deluxe Brackets, 2 Straight Brackets, and 8 mounting screws.



### Inline Connections - Hidden Hardware



The pieces can be connected as shown. Connect inline combinations of Dash & Swerve modular benches together using one Deluxe Bracket and one Simple Bracket.



#### 90 Degree Turn

A single Deluxe Bracket can be used to connect two Dash units at a 90 degree angle, as shown.

### Securing to the Ground



The Deluxe Brackets can be turned so the head faces outward and reveals the anchoring slot in the bracket. Add your own anchoring fasteners for your type of flooring.