

Amped Chair

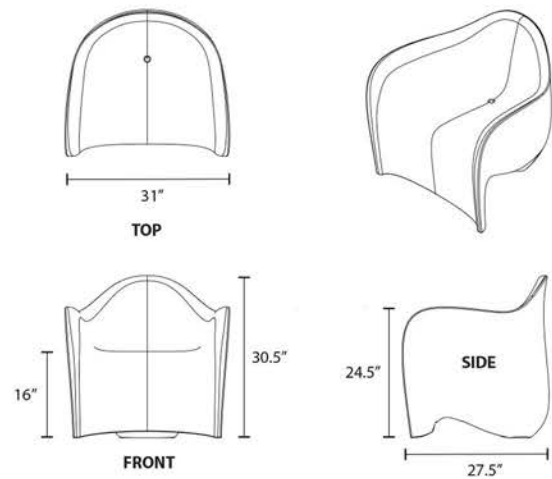
Designed by: Julien Bergignat, France | Session - Recovered Coastal Plastic



Item # 22101BX__: Amped Chair

16" Seat Height, 40 lbs

Tenjam has made a giant leap forward in recycled materials and proven that Recovered Coastal Plastic (RCP) can be economically recovered, recycled, and turned into high performance products. RCP is plastic debris recovered from shorelines, waterways, and coastal communities where it's intercepted before entering the ocean. All Tenjam Session Series products include a varying percentage of RCP material in their construction. This is a hard plastic product suitable for indoor and outdoor environments. 100% recyclable. Certified for healthy indoor air quality.



Session Series Standard Colors

			
Yellow	Orange	Red	Violet
Color Code: YE	Color Code: OR	Color Code: RD	Color Code: VI
			
Pure Green	Lime Green	Anthracite Gray	Medium Gray
Color Code: PG	Color Code: LM	Color Code: AG	Color Code: MG
			
Light Blue	Surf Blue	Medium Blue	Dark Blue
Color Code: LB	Color Code: SB	Color Code: MB	Color Code: DB
			
Cobblestone	Gray Granite	River Rock	
Color Code: CS	Color Code: GG	Color Code: RR	

