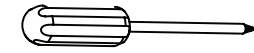


ECMBSKBC-B

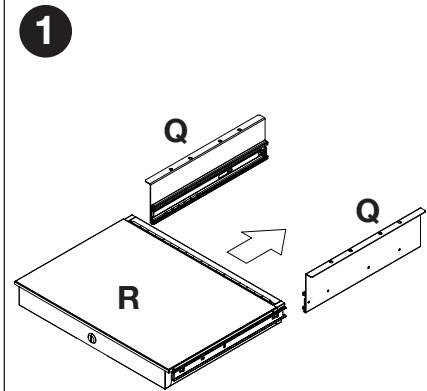
Teacher Cart Assembly Instructions

Tools Required:
Philips Screw Driver
(not included)

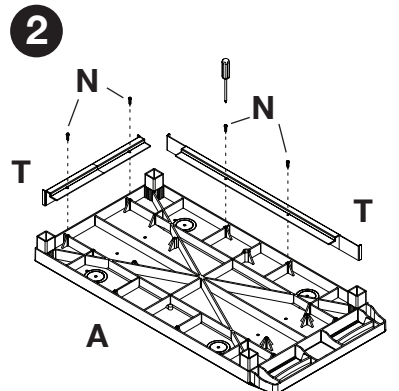


Parts Key

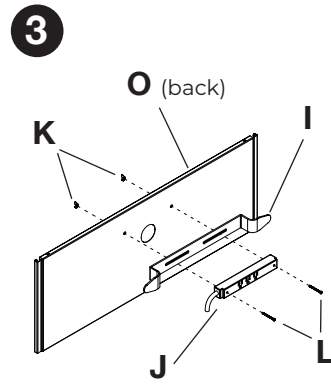
<p>Box 1</p> <p>A Top C Middle (1) C Middle (2) B Bottom</p>	<p>D x4</p>	<p>E x4</p>	<p>F x4</p>	<p>Box 2</p> <p>M x1</p>	<p>Box 3</p> <p>O x1</p> <p>P x5</p> <p>N x8</p> <p>Q x2</p> <p>R x1</p> <p>S x1</p> <p>T x1</p>
	<p>G x2</p>	<p>I x1</p>	<p>K x1</p>		
	<p>H x2</p>	<p>J x1</p>	<p>L x1</p>		



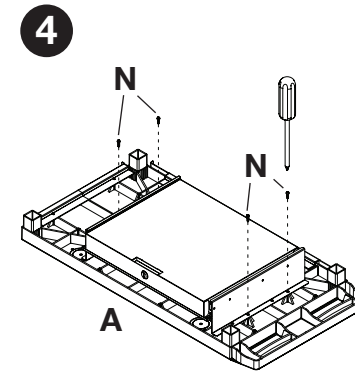
Place padded side of drawer (**R**) facing up and attach left and right drawer glides (**Q**). They will click when in place.



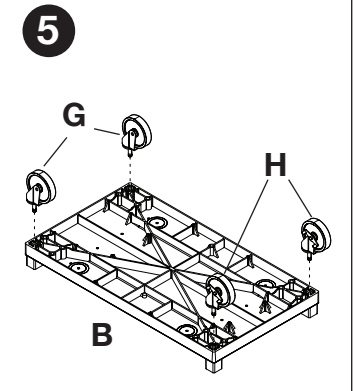
Install the short and long rails (**T**) with the included screws (**N**) onto the underside of the top shelf (**A**) using a Philips screw driver.



Using the screws (**L**) and wing nuts (**K**), attach the electric outlet (**J**) and cord wrap (**I**) to the cabinet's back panel (**O**).

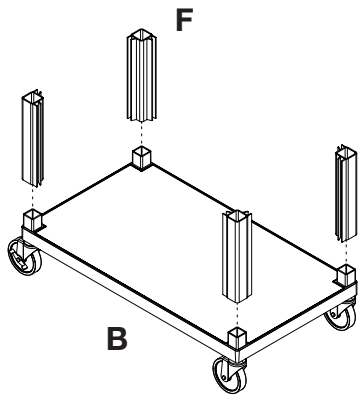


Install the assembled drawer with the included screws (**N**) onto the underside of the top shelf (**A**) using a Philips screw driver.



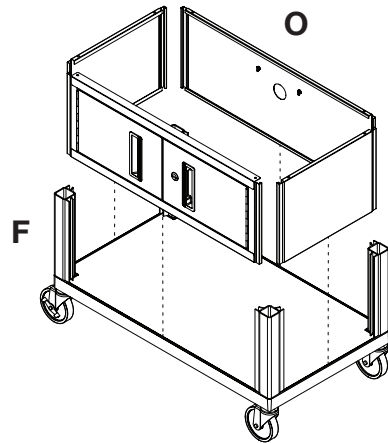
Install the casters into the bottom shelf (**B**). Put two locking casters (**H**) on the same short side.

6



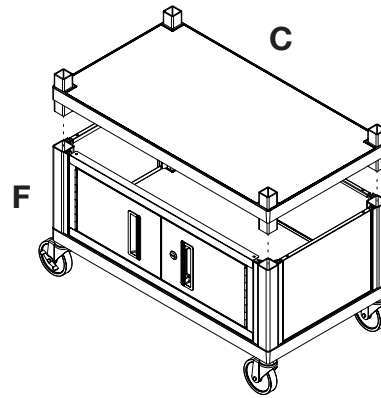
Install the fluted legs (F) onto the bottom shelf (B).

7



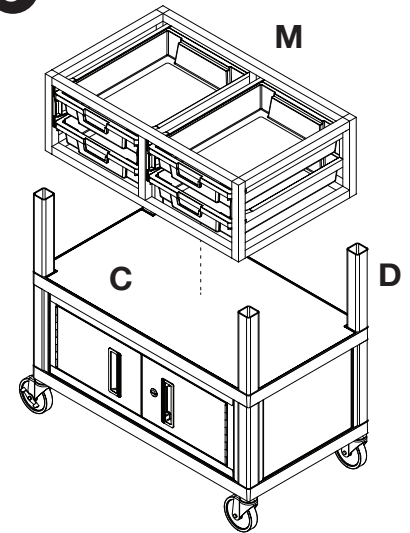
Install the cabinet pack panels (O) into the fluted legs (F).

8



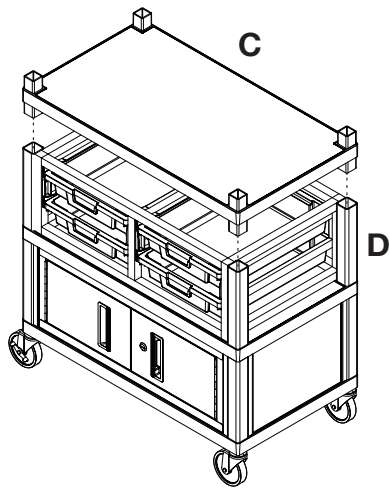
Install the first middle shelf (C) onto the fluted legs (F).

9



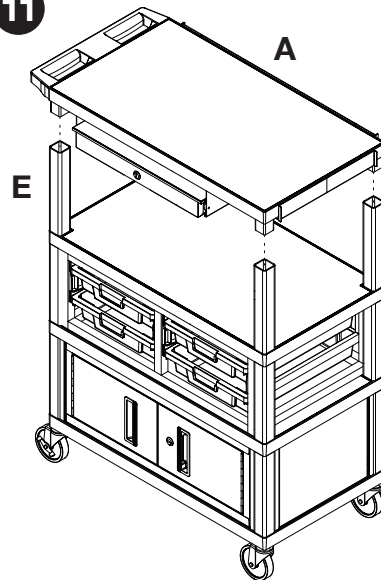
Install the short legs (D) onto the middle shelf (C), then install the bin system (M).

10



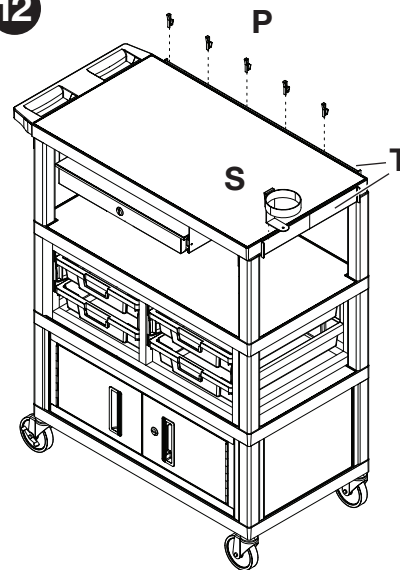
Install the second middle shelf (C) onto the short legs (D).

11



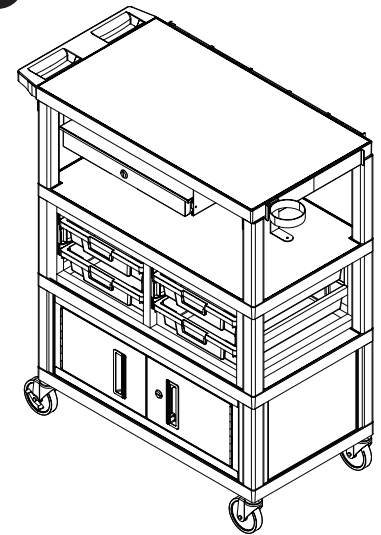
Install the assembled top shelf (A) onto the long legs (E).

12



Install the hooks (P) and cup holder (S) onto the rails (T).

13



Final Assembly View