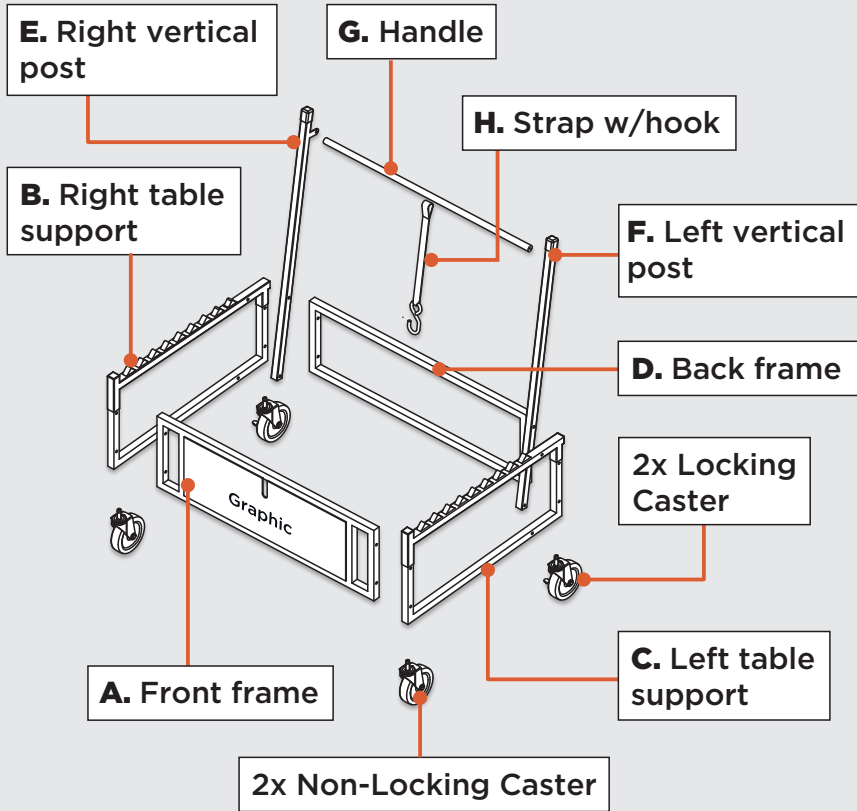


ASSEMBLY INSTRUCTIONS

TABLE ASSIST DOLLY MODEL #TAD

DOLLY COMPONENTS



INCLUDED HARDWARE



12x Large Bolts



12x Lock nuts



2x Small Bolts



2x Washers

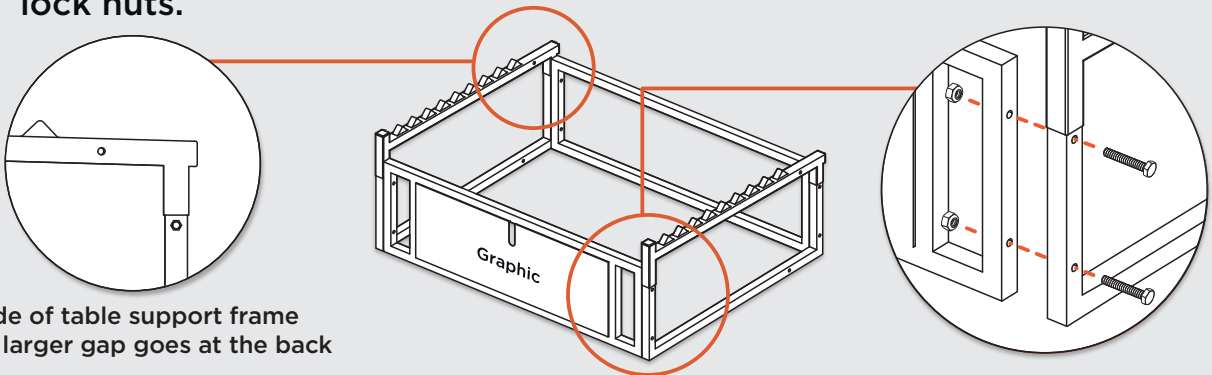
TOOLS FOR ASSEMBLY



17mm or 11/16"
and 10mm or
13/32" Wrench

DOLLY FRAME ASSEMBLY

- 1 Attach both front(A) and back(D) frames with the table support frames(B, C) using two large bolts in each side and tighten with lock nuts.



Side of table support frame with larger gap goes at the back

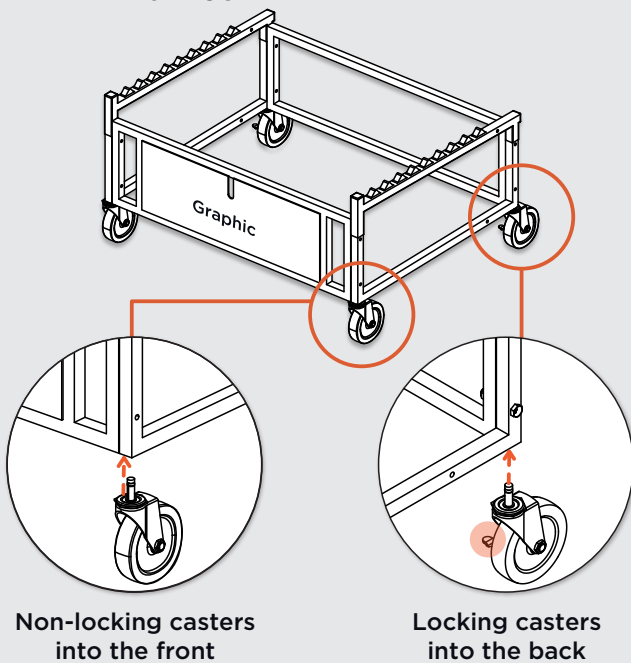


Be sure that all bolts are fully tightened.

Dear Customer, Thank you for your purchase. Although extreme care goes into manufacturing & packaging of this product, mistakes are possible. If you encounter any missing parts or difficulty in assembly, please contact our customer service Toll Free at **1-800-261-4112** or **info@nationalpublicseating.com** for courteous & immediate resolution to your problem.

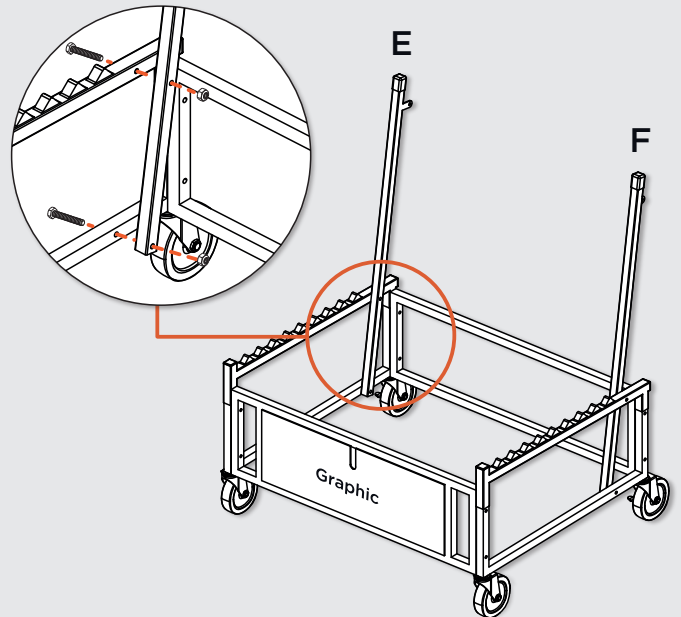
CASTER INSTALLATION

- 2** Install casters by firmly pushing the stems into the square tubing of the table support frames.

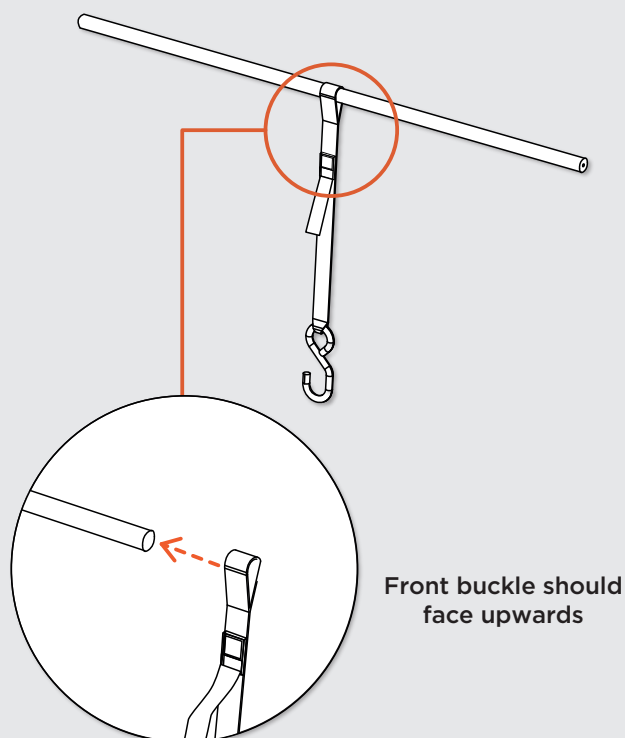


HANDLE INSTALLATION

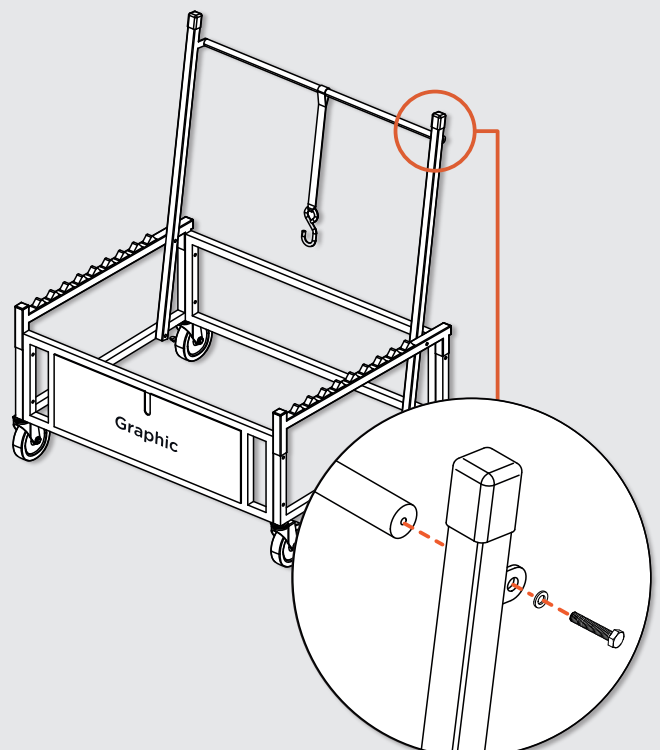
- 3** Attach both vertical posts (E, F) to inside of rear of right and left table support frames using two large bolts and tighten with lock nuts in each side.



- 4** Place strap loop (H) over round handle (G).



- 5** Attach Round handle (G) to right & left vertical posts using two small bolts and washers.



Congratulations, your dolly is now assembled and ready to be used!