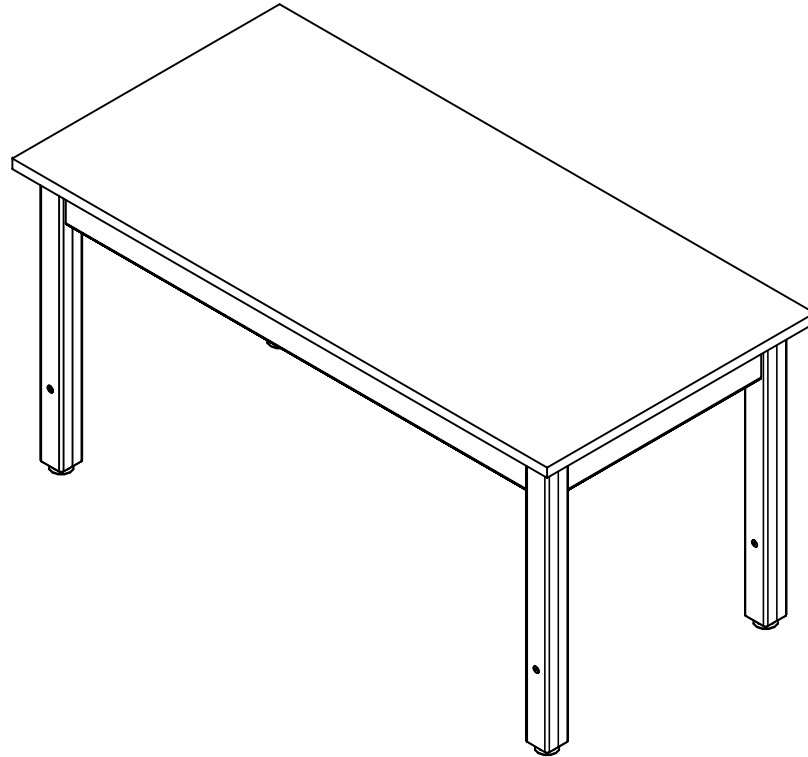


# ADJUSTABLE HEIGHT TABLE

A7000 SERIES TABLES (OAK OR MAPLE)  
ASSEMBLY INSTRUCTIONS



**NOTE:**

1. MODEL VIEWS MAY NOT REPRESENT EXACT MODEL PURCHASED

|   |         |     |           |         |
|---|---------|-----|-----------|---------|
| ALL DIMENSIONS ARE IN INCHES UNLESS NOTED OTHERWISE | DWN BY: | EMR | DATE DWN: | 8/21/14 |
| DECIMALS: $\frac{X}{100} = \pm .000$                | APR BY: |     | DATE APR: |         |
| $\frac{XX}{100} = \pm .020$                         | APR BY: |     | DATE APR: |         |
| $\frac{XXX}{1000} = \pm .010$                       | APR BY: |     | DATE APR: |         |
| ANGLES: $\frac{X}{100} = \pm .1^\circ$              | APR BY: |     | DATE APR: |         |
| CABINET SQUARENESS: $\frac{X}{1000} = \pm .0625$    | APR BY: |     | DATE APR: |         |

CONFIDENTIAL:  
ALL DESIGN RIGHTS RESERVED  
THE INFORMATION, DATA, DESIGN, AND DRAWINGS EMBODIED IN THIS DOCUMENT AND ALL REPRODUCTIONS THEREOF ARE THE EXCLUSIVE PROPERTY OF DIVERSIFIED WOODCRAFTS, INC.

THESE DOCUMENTS ARE SUPPLIED WITH THE UNDERSTANDING THAT THEY WILL NOT BE DISCLOSED TO THIRD PARTIES WITHOUT WRITTEN CONSENT OF DIVERSIFIED WOODCRAFTS, INC. ANY REPRODUCTION IN PART OR WHOLE WITHOUT WRITTEN CONSENT IS SUBJECT TO LEGAL ACTION.



300 South Krueger Street  
Suring, WI 54174  
diversifiedwoodcrafts.com

TITLE:  
ADJUSTABLE HEIGHT TABLE  
ASSEMBLY INSTRUCTIONS

| REV.           | DESCRIPTION                   | DATE    | NAME | ECN NO. |
|----------------|-------------------------------|---------|------|---------|
| A              | CREATED ASSEMBLY INSTRUCTIONS | 8/21/14 | EMR  | -       |
| REVISION LEVEL |                               |         |      |         |

|                     |        |        |           |
|---------------------|--------|--------|-----------|
| DRAWING NUMBER:     | SCALE: | SHEET: | REVISION: |
| A7000 SERIES TABLES | NTS    | 1 OF 6 | REV A     |

## TOOLS REQUIRED

|  |
|--|
| 1/2" WRENCH                              |
| 1/2" SOCKET AND TORQUE WRENCH - OPTIONAL |

## ASSEMBLY COMPONENTS

| ITEMS INCLUDED         | PART # | PART DESCRIPTION                 | QTY |
|------------------------|--------|----------------------------------|-----|
| TOP AND APRON ASSEMBLY | N/A    | TOP ASSEMBLY (FACTORY ASSEMBLED) | 1   |
| LEG HARDWARE           | 520001 | LEG HARDWARE KIT, 1 LEG          | 4   |
| LEGS                   | VARIES | LEG, 2.25X2.25X28.25             | 4   |

**NOTE:**

1. COMPONENTS VARY WITH STYLE OF TABLE PURCHASED.
  - 1.1. TOP SELECTIONS:
    - 1.1.1. CHEMGUARD, PHENOLIC, EPOXY, COLORED PLASTIC LAMINATE, OR BLACK PLASTIC LAMINATE W/ T-MOLD.

|  |             |                   |
|--|-------------|-------------------|
| ALL DIMENSIONS ARE IN INCHES UNLESS NOTED OTHERWISE<br>DECIMALS: X = ± .030<br>XX = ± .020<br>XXX = ± .010<br>ANGLES: = ± 1°<br>CABINET SQUARENESS: = ± .0625  | DWN BY: EMR | DATE DWN: 8/21/14 |
| CONFIDENTIAL:<br>ALL DESIGN RIGHTS RESERVED<br>THE INFORMATION, DATA, DESIGN, AND DRAWINGS EMBODIED IN THIS DOCUMENT AND ALL REPRODUCTIONS THEREOF ARE THE EXCLUSIVE PROPERTY OF DIVERSIFIED WOODCRAFTS, INC.                                      | APR BY:     | DATE APR:         |
| THESE DOCUMENTS ARE SUPPLIED WITH THE UNDERSTANDING THAT THEY WILL NOT BE DISCLOSED TO THIRD PARTIES WITHOUT WRITTEN CONSENT OF DIVERSIFIED WOODCRAFTS, INC. ANY REPRODUCTION IN PART OR WHOLE WITHOUT WRITTEN CONSENT IS SUBJECT TO LEGAL ACTION. | APR BY:     | DATE APR:         |

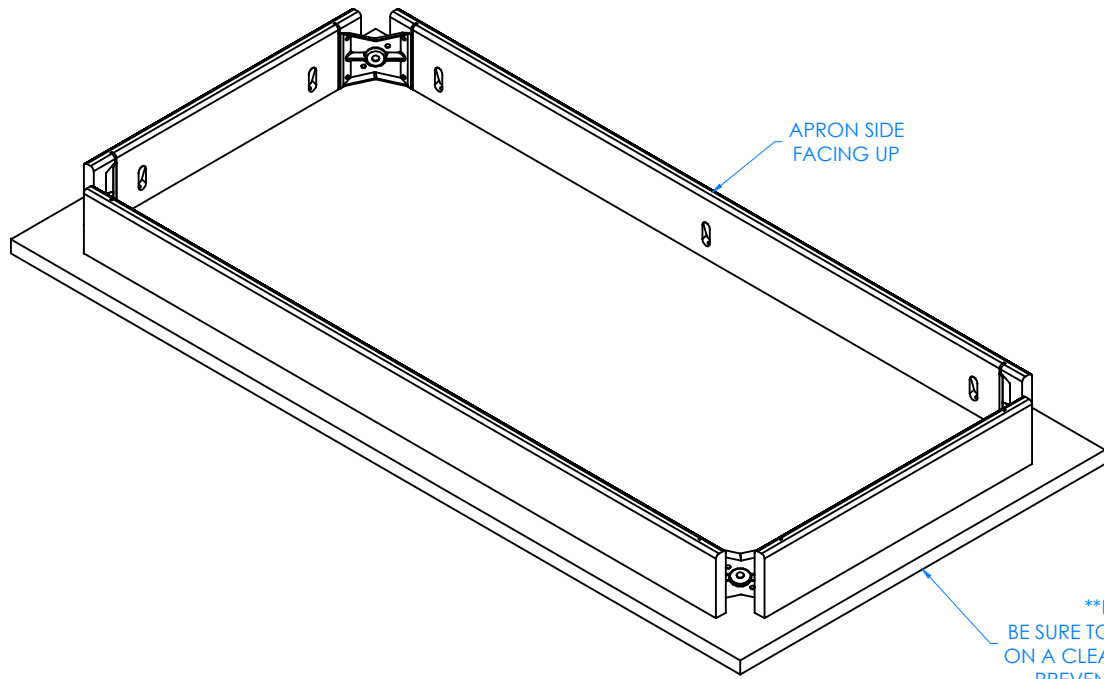


300 South Krueger Street  
Suring, WI 54174  
diversifiedwoodcrafts.com

**TITLE:**  
ADJUSTABLE HEIGHT TABLE  
TOOLS AND ASSEMBLY COMPONENTS

|   |               |                  |                    |
|---|---------------|------------------|--------------------|
| DRAWING NUMBER:<br><b>A7000 SERIES TABLES</b> | SCALE:<br>NTS | SHEET:<br>2 OF 6 | REVISION:<br>REV A |
|---|---------------|------------------|--------------------|

| REV.           | DESCRIPTION                   | DATE    | NAME | ECN NO. |
|----------------|-------------------------------|---------|------|---------|
| A              | CREATED ASSEMBLY INSTRUCTIONS | 8/21/14 | EMR  | -       |
| REVISION LEVEL |                               |         |      |         |



STEP 1:

- LAY TOP ASSEMBLY ON FLOOR WITH APRON SIDE FACING UP.


NOTE:

1.

|   |         |     |           |         |
|---|---------|-----|-----------|---------|
| ALL DIMENSIONS ARE IN INCHES UNLESS NOTED OTHERWISE | DWN BY: | EMR | DATE DWN: | 8/21/14 |
| DECIMALS: $\frac{X}{100}$ = ± .020                  | APR BY: |     | DATE APR: |         |
| ANGLES: $\frac{XXX}{100}$ = ± .010                  | APR BY: |     | DATE APR: |         |
| CABINET SQUARENESS: = ± .0625                       | APR BY: |     | DATE APR: |         |

CONFIDENTIAL:  
 ALL DESIGN RIGHTS RESERVED  
 THE INFORMATION, DATA, DESIGN, AND DRAWINGS EMBODIED IN THIS DOCUMENT AND ALL REPRODUCTIONS THEREOF ARE THE EXCLUSIVE PROPERTY OF DIVERSIFIED WOODCRAFTS, INC.

THESE DOCUMENTS ARE SUPPLIED WITH THE UNDERSTANDING THAT THEY WILL NOT BE DISCLOSED TO THIRD PARTIES WITHOUT WRITTEN CONSENT OF DIVERSIFIED WOODCRAFTS, INC. ANY REPRODUCTION IN PART OR WHOLE WITHOUT WRITTEN CONSENT IS SUBJECT TO LEGAL ACTION.

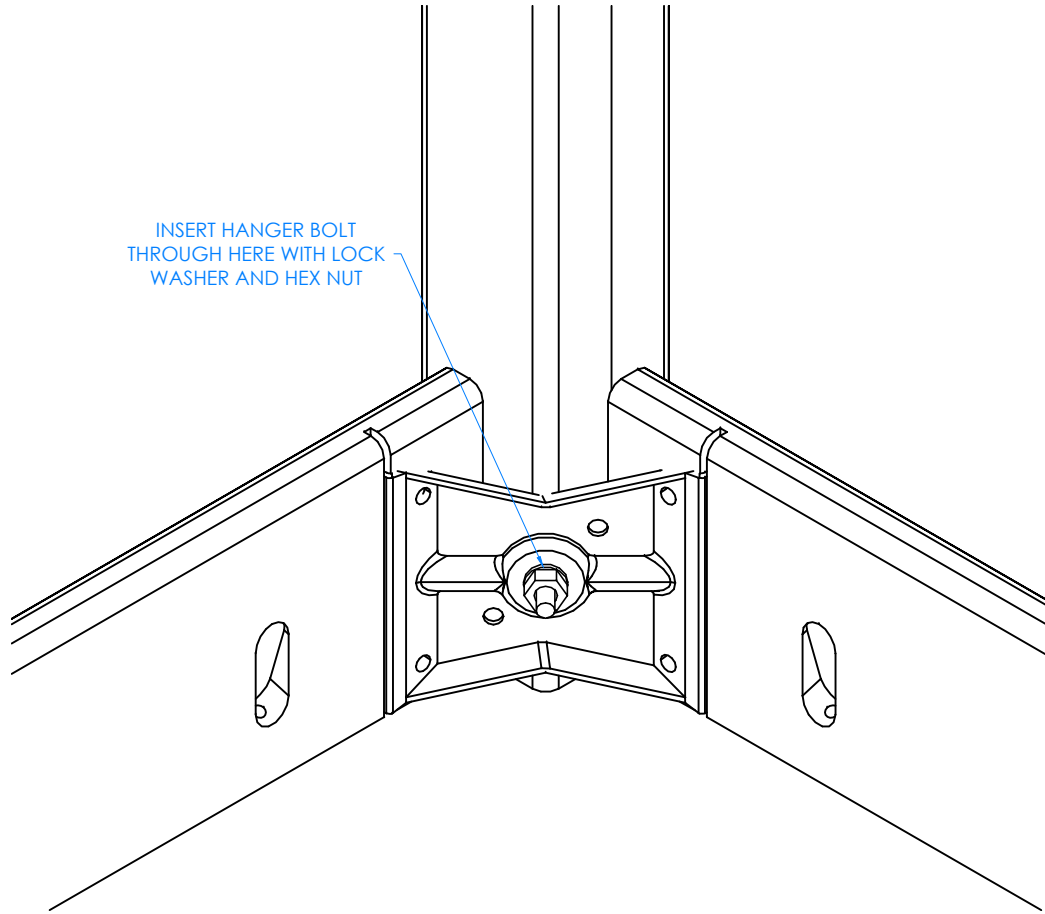


300 South Krueger Street  
 Suring, WI 54174  
 diversifiedwoodcrafts.com

TITLE:  
**ADJUSTABLE HEIGHT TABLE  
 ASSEMBLY INSTRUCTIONS**

| REV.           | DESCRIPTION                   | DATE    | NAME | ECN NO. |
|----------------|-------------------------------|---------|------|---------|
| A              | CREATED ASSEMBLY INSTRUCTIONS | 8/21/14 | EMR  | -       |
| REVISION LEVEL |                               |         |      |         |

|                            |        |        |           |
|----------------------------|--------|--------|-----------|
| DRAWING NUMBER:            | SCALE: | SHEET: | REVISION: |
| <b>A7000 SERIES TABLES</b> | NTS    | 3 OF 6 | REV A     |



INSERT HANGER BOLT  
THROUGH HERE WITH LOCK  
WASHER AND HEX NUT

STEP 2:

- INSERT HANGER BOLT ON ONE LEG THROUGH THE CORNER BRACKET AND INSERT LOCK WASHER AND HEX NUT.
- TIGHTEN NUT USING A 1/2" WRENCH OR 1/2" SOCKET AND TORQUE WRENCH, TO A MINIMUM OF 12 FT LBS BUT NOT TO EXCEED 17 FT LBS.
- REPEAT FOR THE OTHER LEGS.

CLOSE UP OF CORNER LEG ASSEMBLY

NOTE:

1.

|   |         |     |           |         |
|---|---------|-----|-----------|---------|
| ALL DIMENSIONS ARE IN INCHES UNLESS NOTED OTHERWISE | DWN BY: | EMR | DATE DWN: | 8/21/14 |
| DECIMALS: X = ± .030                                | APR BY: |     | DATE APR: |         |
| XX = ± .020   | APR BY: |     | DATE APR: |         |
| .XXX = ± .010                                       | APR BY: |     | DATE APR: |         |
| ANGLES: = ± 1°                                      | APR BY: |     | DATE APR: |         |
| CABINET SQUARENESS: = ± .0625                       | APR BY: |     | DATE APR: |         |

CONFIDENTIAL:  
ALL DESIGN RIGHTS RESERVED  
THE INFORMATION, DATA, DESIGN, AND DRAWINGS EMBODIED IN THIS DOCUMENT AND ALL REPRODUCTIONS THEREOF ARE THE EXCLUSIVE PROPERTY OF DIVERSIFIED WOODCRAFTS, INC.

THESE DOCUMENTS ARE SUPPLIED WITH THE UNDERSTANDING THAT THEY WILL NOT BE DISCLOSED TO THIRD PARTIES WITHOUT WRITTEN CONSENT OF DIVERSIFIED WOODCRAFTS, INC. ANY REPRODUCTION IN PART OR WHOLE WITHOUT WRITTEN CONSENT IS SUBJECT TO LEGAL ACTION.

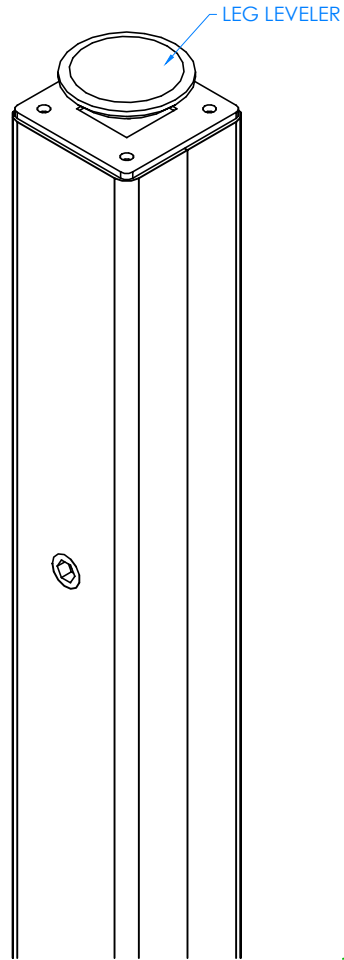


300 South Krueger Street  
Suring, WI 54174  
diversifiedwoodcrafts.com

TITLE:  
ADJUSTABLE HEIGHT TABLE  
ASSEMBLY INSTRUCTIONS

| REV.           | DESCRIPTION                   | DATE    | NAME | ECN NO. |
|----------------|-------------------------------|---------|------|---------|
| A              | CREATED ASSEMBLY INSTRUCTIONS | 8/21/14 | EMR  | -       |
| REVISION LEVEL |                               |         |      |         |

|                     |        |        |           |
|---------------------|--------|--------|-----------|
| DRAWING NUMBER:     | SCALE: | SHEET: | REVISION: |
| A7000 SERIES TABLES | NTS    | 4 OF 6 | REV A     |



CLOSE UP OF LEG LEVELER ASSEMBLY

STEP 3:

- SCREW LEG LEVELERS INTO BOTTOM OF LEGS.

NOTE:

1.

|   |         |     |           |         |
|---|---------|-----|-----------|---------|
| ALL DIMENSIONS ARE IN INCHES UNLESS NOTED OTHERWISE | DWN BY: | EMR | DATE DWN: | 8/21/14 |
| DECIMALS: $X = \pm .030$                            | APR BY: |     | DATE APR: |         |
| $XX = \pm .020$                                     | APR BY: |     | DATE APR: |         |
| $XXX = \pm .010$                                    | APR BY: |     | DATE APR: |         |
| ANGLES: $= \pm 1^{\circ}$                           | APR BY: |     | DATE APR: |         |
| CABINET SQUARENESS: $= \pm .0625$                   | APR BY: |     | DATE APR: |         |

CONFIDENTIAL:  
 ALL DESIGN RIGHTS RESERVED  
 THE INFORMATION, DATA, DESIGN, AND DRAWINGS EMBODIED IN THIS DOCUMENT AND ALL REPRODUCTIONS THEREOF ARE THE EXCLUSIVE PROPERTY OF DIVERSIFIED WOODCRAFTS, INC.

THESE DOCUMENTS ARE SUPPLIED WITH THE UNDERSTANDING THAT THEY WILL NOT BE DISCLOSED TO THIRD PARTIES WITHOUT WRITTEN CONSENT OF DIVERSIFIED WOODCRAFTS, INC. ANY REPRODUCTION IN PART OR WHOLE WITHOUT WRITTEN CONSENT IS SUBJECT TO LEGAL ACTION.

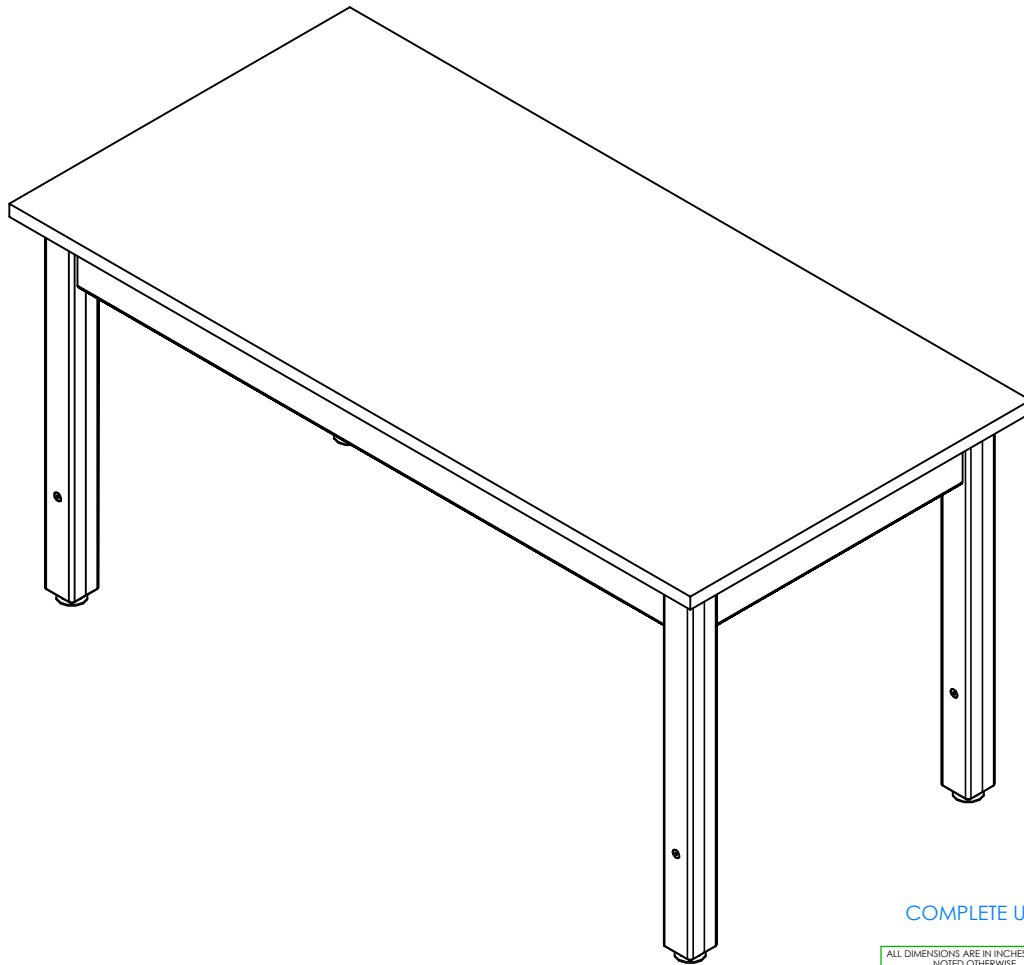


300 South Krueger Street  
 Suring, WI 54174  
 diversifiedwoodcrafts.com

TITLE:  
 ADJUSTABLE HEIGHT TABLE  
 ASSEMBLY INSTRUCTIONS

| REV.           | DESCRIPTION                   | DATE    | NAME | ECN NO. |
|----------------|-------------------------------|---------|------|---------|
| A              | CREATED ASSEMBLY INSTRUCTIONS | 8/21/14 | EMR  | -       |
| REVISION LEVEL |                               |         |      |         |

|                     |        |        |           |
|---------------------|--------|--------|-----------|
| DRAWING NUMBER:     | SCALE: | SHEET: | REVISION: |
| A7000 SERIES TABLES | NTS    | 5 OF 6 | REV A     |



STEP 4:

- WITH HELP FROM ANOTHER PERSON, TURN TABLE OVER SO TOP IS UP.
- SET YOUR TABLE IN PLACE.
- ADJUST LEG LEVELERS TO LEVEL TABLE.
- SEE NOTE ON HOW TO ADJUST HEIGHT OF TABLE.

NOTE:

1. TO INCREASE OR DECREASE THE HEIGHT OF TABLE, PUT TABLE ON SIDE OR TOP AND SIMPLY UNSCREW BOLT IN LEG AND PULL THE STAINLESS STEEL TUBE IN OR OUT OF LEG TO DESIRED LOCATION. SCREW BOLT BACK IN. MAKE SURE BOLT IS IN TIGHT BEFORE TURNING TABLE OVER.

COMPLETE UNIT SHOWN

|  |         |     |           |         |
|--|---------|-----|-----------|---------|
| ALL DIMENSIONS ARE IN INCHES UNLESS NOTED OTHERWISE    | DWN BY: | EMR | DATE DWN: | 8/21/14 |
| DECIMALS: .X = ± .030<br>.XX = ± .020<br>.XXX = ± .010 | APR BY: |     | DATE APR: |         |
| ANGLES: = ± 1°   | APR BY: |     | DATE APR: |         |
| CABINET SQUARENESS: = ± .0625                          | APR BY: |     | DATE APR: |         |

CONFIDENTIAL:  
ALL DESIGN RIGHTS RESERVED  
THE INFORMATION, DATA, DESIGN, AND DRAWINGS EMBODIED IN THIS DOCUMENT AND ALL REPRODUCTIONS THEREOF ARE THE EXCLUSIVE PROPERTY OF DIVERSIFIED WOODCRAFTS, INC.

THESE DOCUMENTS ARE SUPPLIED WITH THE UNDERSTANDING THAT THEY WILL NOT BE DISCLOSED TO THIRD PARTIES WITHOUT WRITTEN CONSENT OF DIVERSIFIED WOODCRAFTS, INC. ANY REPRODUCTION IN PART OR WHOLE WITHOUT WRITTEN CONSENT IS SUBJECT TO LEGAL ACTION.



300 South Krueger Street  
Suring, WI 54174  
diversifiedwoodcrafts.com

TITLE:  
ADJUSTABLE HEIGHT TABLE  
ASSEMBLY INSTRUCTIONS

| REV. | DESCRIPTION                   | DATE    | NAME | ECN NO. |
|------|-------------------------------|---------|------|---------|
| A    | CREATED ASSEMBLY INSTRUCTIONS | 8/21/14 | EMR  | -       |

REVISION LEVEL

|                     |        |        |           |
|---------------------|--------|--------|-----------|
| DRAWING NUMBER:     | SCALE: | SHEET: | REVISION: |
| A7000 SERIES TABLES | NTS    | 6 OF 6 | REV A     |