
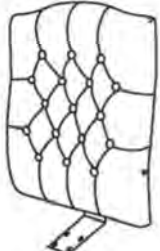
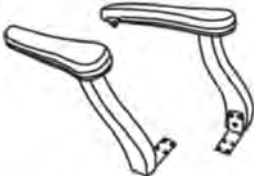
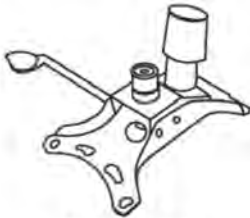
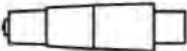








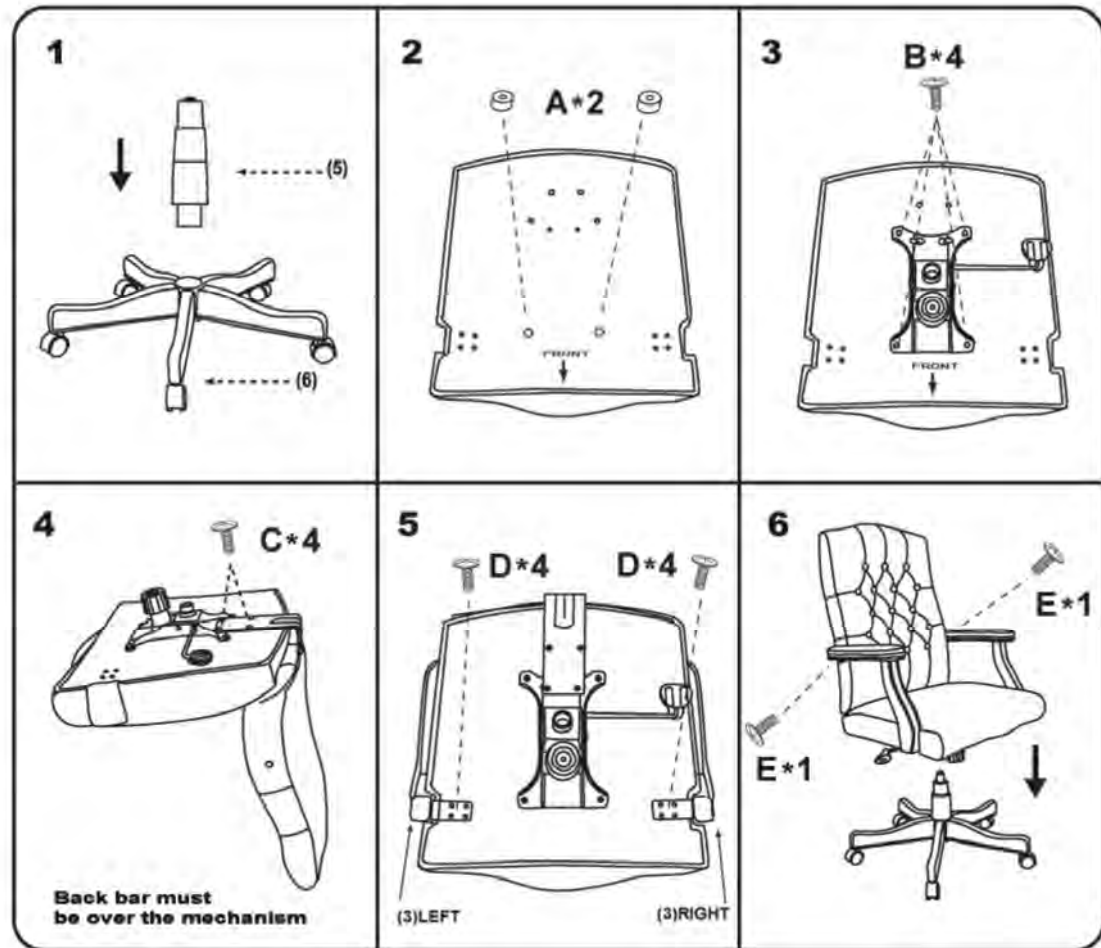
**Important notice:**

**Hardware package is attached on the bottom of seat cushion.**

**Por favor de destornillar todos los tornillos del cojin antes de assamblar la silla.**

MODEL: B905/B915/HS900

(1)X1	(2)X1	(3)X1 (L)X1 (R)
		
Seat	Back	Left & Right Arm
(4)X1	(5)X1	(6)X1
		
Mechanism	100mm Gas Lift	Wood Base w/ Casters
(A)x2		GASKET
(B)x4		M8*30 MECHANISM SCREW
(C)x4		M6*30 BACK BAR SCREWS
(D)x8		M6*25 ARM SCREWS
(E)x2		M8*36 ARM SCREWS



**Insert and loosely tighten all screws. When assembly is completed, fully tighten all screws before using. This chair is only intended for sitting. Any other use will void the warranty.**



**Customer Service Hotline: 1-800-593-1888**  
**For further assembly instructions,**  
**please visit our website at [www.bosschair.com](http://www.bosschair.com)**