

Avid Modular Desk Systems

Model No: 91774 - 91786-XXXX-XX

OVERVIEW

The flexible, functional, and customizable design of the Avid Desks makes creating your ideal workspace a breeze.

TOP

The top is made of 1 1/8" Particleboard Core with 3mm Flat Vinyl T-Mold Edge. The work surface is constructed of 45# particleboard core with high pressure laminate (HPL) top surface and phenolic backer sheet for balanced construction. 1 1/8" 3mm flat vinyl t-mold is secured to the work surface with brad nails along the perimeter.

MODESTY PANEL

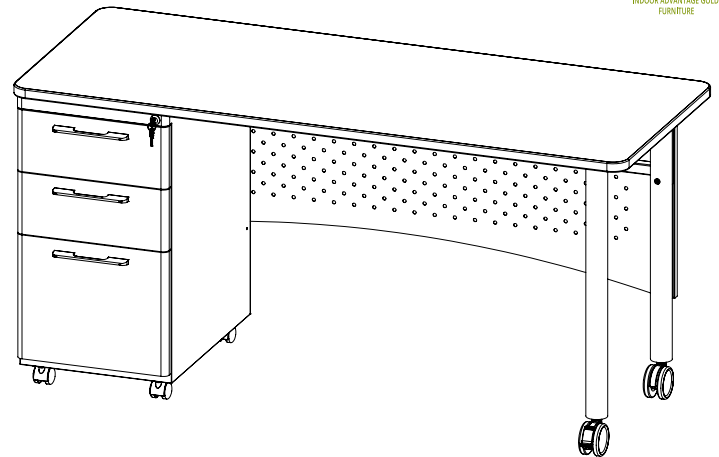
Made of 18 Ga steel, the modesty panel is available in both 60" and 72" options depending on your table size. The panel is 500mm tall.

PEDESTAL FILING CABINET

The pedestal filing cabinet measures 28.73"H X 14.88"W X 21.5"D. There are two drawers holding 4"H x 12.6"W x 19.7"L and one larger drawer. One is 9.75" deep and two are 4" deep. The pedestal rests on four 2" casters attached with one M5 x 5mm screw each.

LEGS

For single pedestal desks, front and back legs are made with 18 Ga round steel tubes welded to a 3mm thick steel mounting plate. Plate has eight screw holes for wood screws to attach directly to top. Two 3" casters with M8 x 15mm stems screw into threaded inserts welded into legs. Return desks use a similarly constructed leg with two leg tubes welded to a single steel plate with holes for six wood screws. Two 20 Ga, 25mm square steel tubes are welded in between legs for reinforcement.



SUPPORT BAR

Return style desk uses two 20 Ga steel, square tube support bars. Support bars are attached to the side legs or pedestals with two M6 x 15mm screws on each side and secure to underside of table tops with 14 Ga U-Clamps wrapped around bars and screwed into top with two wood screws each.

OPTIONS / ACCESSORIES

- Locking Accessory Drawer - Secure accessory drawer is ideal for documents, pens, and other small items. Interior measures 13"W.
- Pop-Up Grommets equipped with outlets and USB chargers are available to give this desk's users easy access to electricity.

COMPLIANCE

- Indoor Advantage Gold Certified
- Tested to BIFMA Standards

LAMINATE OPTIONS:



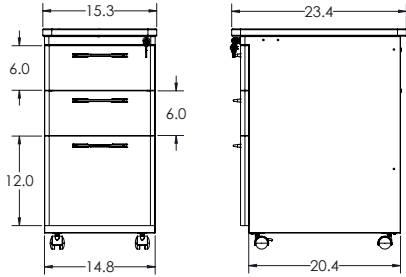
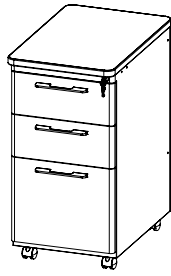
Amber Cherry Asian Night Castle Oak Fusion Maple Graphite Nebula Gray Elm Gray Nebula Low Line White Board

EDGE COLORS:

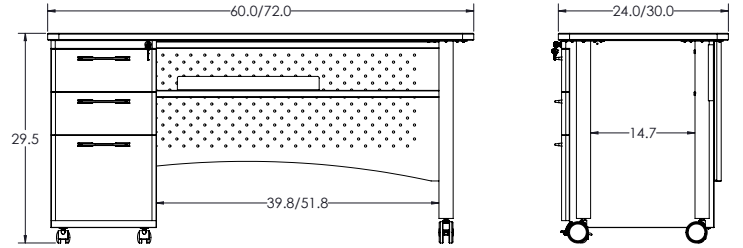
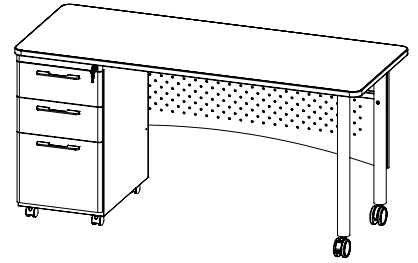


Black Cool Gray Platinum Purple Navy Blue Green Yellow Orange Red

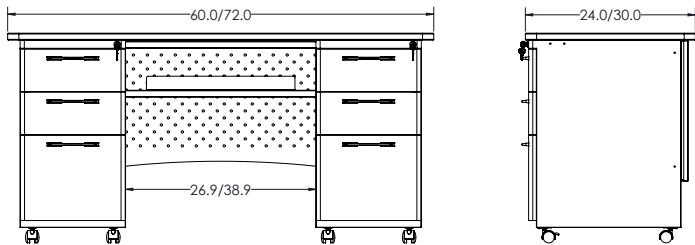
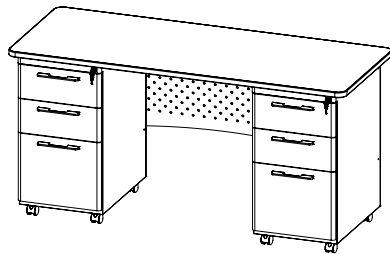
91784 Pedestal with Top



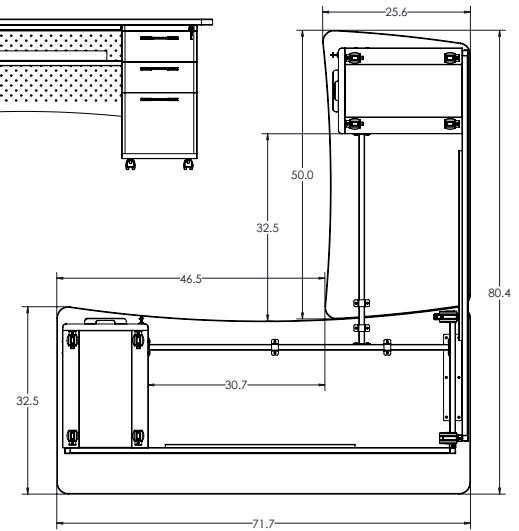
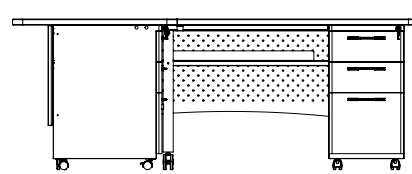
91774 - 91777 Single Pedestal



91778 - 91781 Double Pedestal



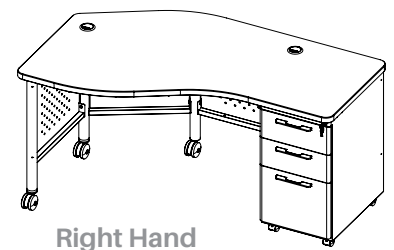
91782 Return Desk



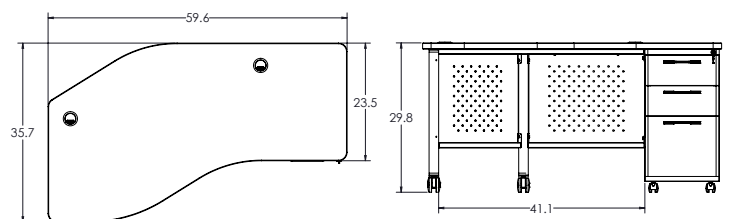
CONFIGURATIONS:

Base Model No.	Description	Dimensions
91784-XXXX-XX	Pedestal with Top	29.8"H X 18"W X 24"D
91774-XXXX-XX	Single Pedestal Desk 6030	29.8"H X 60"W X 30"D
91775-XXXX-XX	Single Pedestal Desk 6024	29.8"H X 60"W X 24"D
91776-XXXX-XX	Single Pedestal Desk 7230	29.8"H X 72"W X 30"D
91777-XXXX-XX	Single Pedestal Desk 7224	29.8"H X 72"W X 24"D
91778-XXXX-XX	Double Pedestal Desk 6030	29.8"H X 60"W X 30"D
91779-XXXX-XX	Double Pedestal Desk 6024	29.8"H X 60"W X 24"D
91780-XXXX-XX	Double Pedestal Desk 7230	29.8"H X 72"W X 30"D
91781-XXXX-XX	Double Pedestal Desk 7224	29.8"H X 72"W X 24"D
91782-XXXX-XX	Return Desk	29.8"H X 72"W X 80"D
91785-XXXX-XX	Instructor Desk (Right Hand)	29.8"H X 60"W X 36.3"D
91786-XXXX-XX	Instructor Desk (Left Hand)	29.8"H X 60"W X 36.3"D

91785 - 91786 Instructor Teacher Desk



Right Hand



MooreCo, Inc.
 2885 Lorraine Avenue | Temple, TX 76501
 p: 800.749.2258 | f: 866.888.7483
www.moorecoinc.com

Pneumatic Conference End

Model No: 91783-XXXX-XX

OVERVIEW

The Pneumatic Conference End is a sturdy, mobile, height-adjustable desk with a sleek platinum finish.

TOP

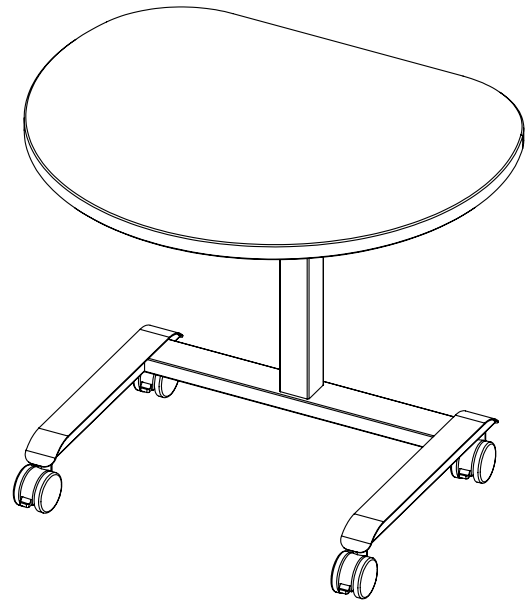
The top is made of 1 1/8" Particleboard Core with 3mm Flat Vinyl T-Mold Edge. The work surface is constructed of 45# particleboard core with high pressure laminate (HPL) top surface and phenolic backer sheet for balanced construction. 1 1/8" 3mm flat vinyl t-mold is secured to the work surface with brad nails along the perimeter. Stretcher bars are standard on tops 60" long and longer.

FRAME

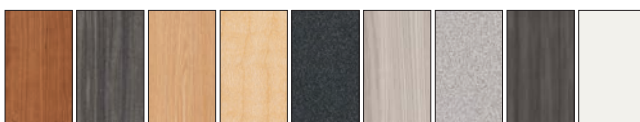
The base is three sections of 10 Ga steel, platinum powder coated, tube welded together, two feet and a cross-tube. The two feet are 1.125" x 2.25" x 21.5" and are welded to a 12 Ga steel plate that covers the length of each foot. The cross-tube is 1.125" x 2.75" x 24" and has an 8 Ga 2.5" square steel plate welded at the center to support the pneumatic tube. This tube is attached to the base with four M8 x 25mm screws and lock washers. It is made up of three telescoping sections of 14 Ga steel tube at 2.375" square, 2.0" square, and 1.75" square respectively. Welded to the top of the pneumatic tube is a 10 Ga steel plate that measures 5.5" x 6.69". Eight #10 x 1" wood screws attach this steel plate to the desktop. Four 75mm locking casters are attached to the base of the desk with M8 x 15mm threaded stems. Fully assembled, the desk has a range of 15.75 inches and can be set to any height between 26.5" and 42.25".

MECHANISM

The desk adjusts by a single handed lever release. The lever activates a 150N pneumatic cylinder by way of braided steel cable.



LAMINATE OPTIONS:

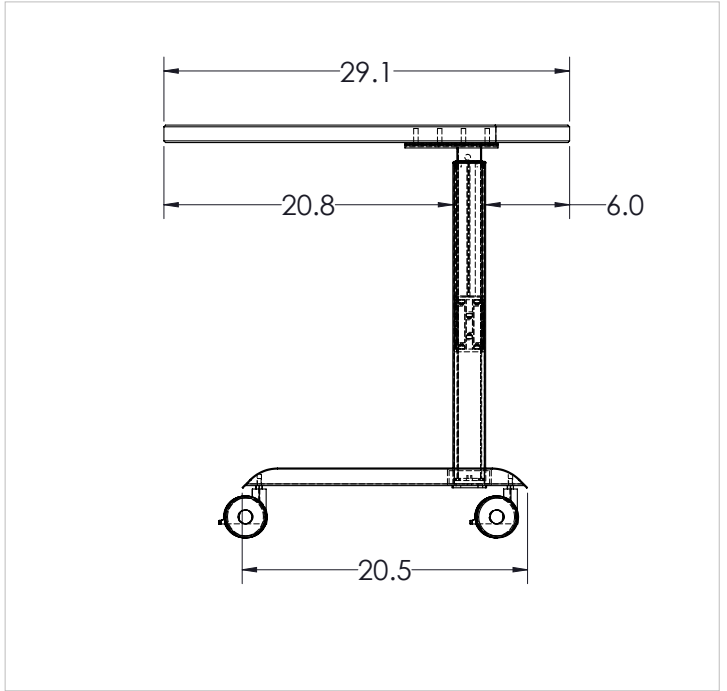
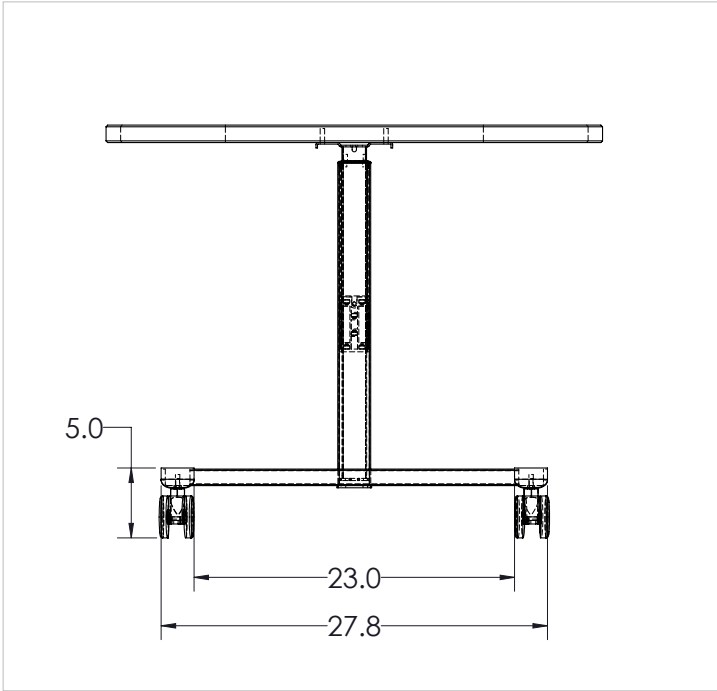
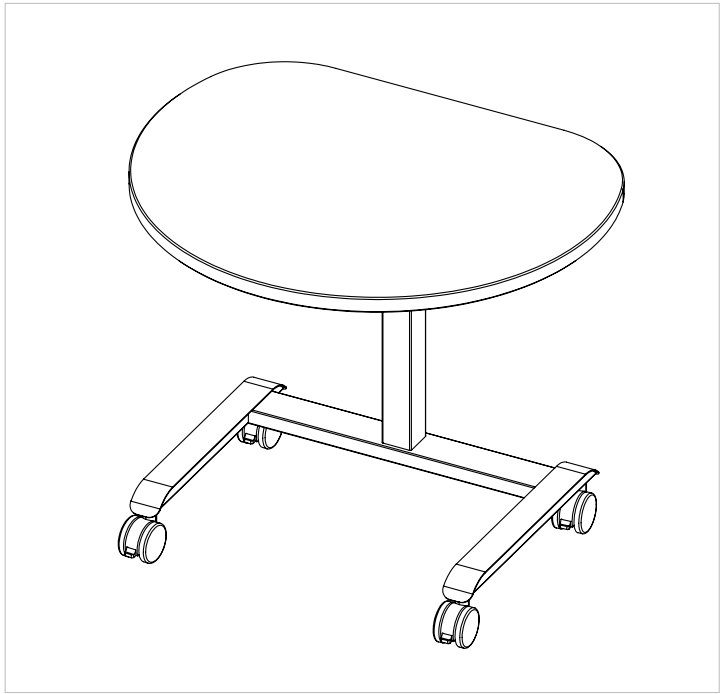
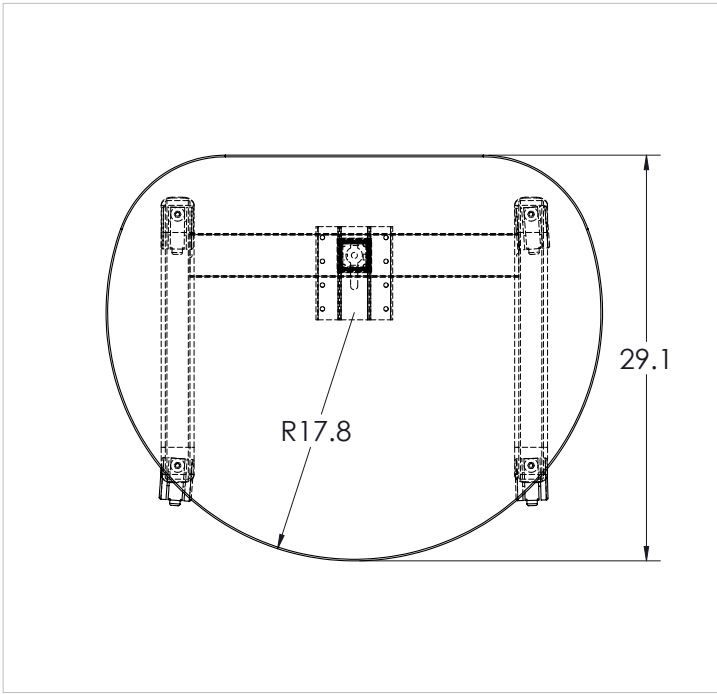


Amber Cherry Asian Night Castle Oak Fusion Maple Graphite Nebula Gray Elm Gray Nebula Low Line White Board

EDGE COLORS:



Black Cool Gray Platinum Purple Navy Blue Green Yellow Orange Red



DIMENSIONS:

Base Model No.	Description	Height Range	Width	Depth
91783-XXXX-XX	Pneumatic Conference End	26.5" - 42.25"	35.7"	29.3"