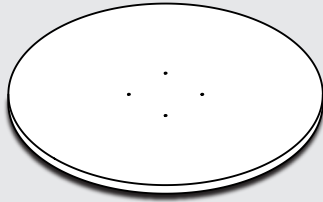
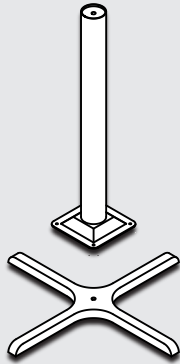


ASSEMBLY INSTRUCTIONS

TABLE COMPONENTS



Tabletop



Support pole



Table base

INCLUDED HARDWARE



4x Screws

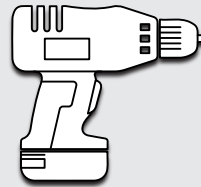


1x Bolt



1x Washer

TOOLS FOR ASSEMBLY

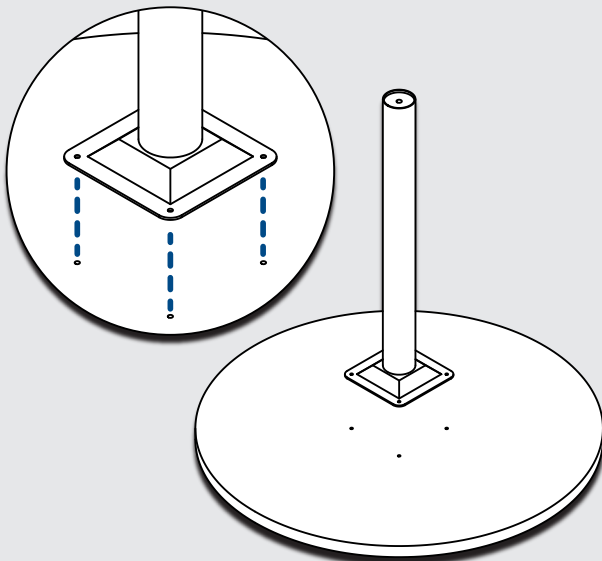


Drill

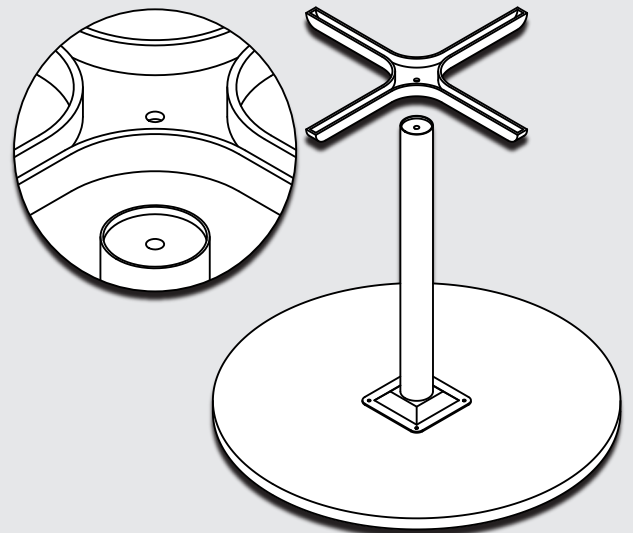


Wrench

- 1 Install Table support pole to the pre-marked holes on the tabletop using the 4 included screws.



- 2 Install the table base to the table support pole using the included bolt and washer.



- 3 If your table came with two poles and bases then repeat steps 1 and 2. Once completed, turn your table over.

Congratulations, your table is now assembled and ready to be used!