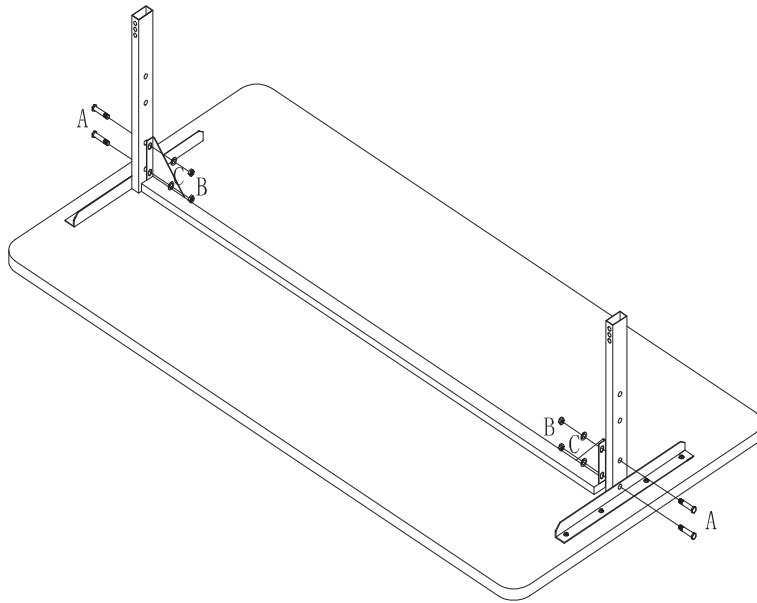
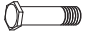



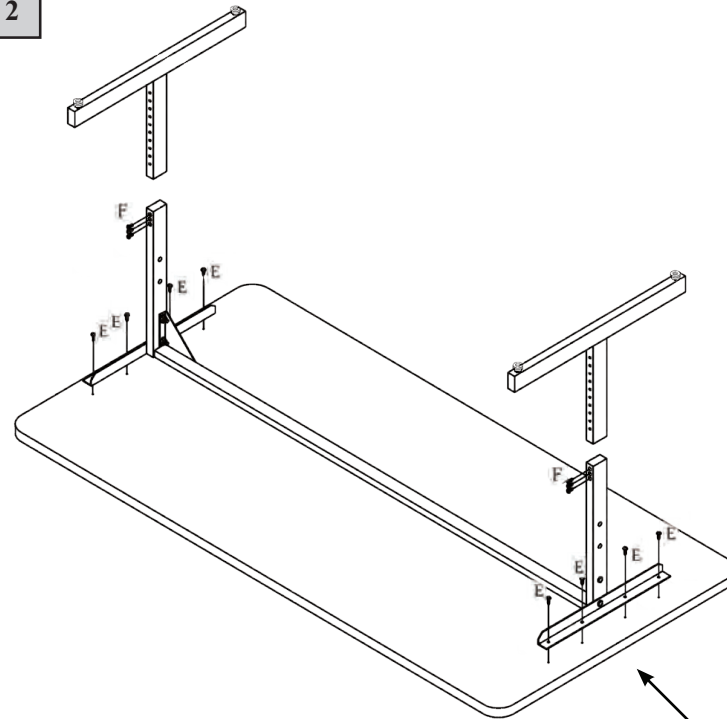




Step: 1



NO.	DESCRIPTION	Q' ty
A		4PCS
B		4PCS
C		4PCS
D		1PC

Step: 2



NO.	DESCRIPTION	Q' ty
E		8PCS
F		6PCS

Note: the bracket should face outward as shown