

SAN-TUB1
SAN-CC4068

Manipulatives Cleaning Tub Kit



User Guide

SAN-TUB1_2020_A
SAN-CC4068_2020_A

Check out our other products online at
www.copernicused.com

For assistance, please contact us:

1-800-267-8494

Email info@copernicused.com

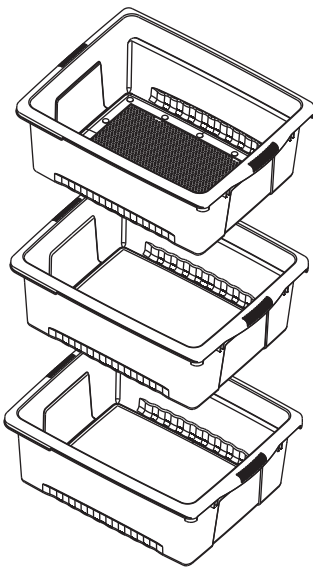
Have your packing slip ready for reference

WARNING



- T This product is meant to be assembled by an adult.
- T In its unassembled state, small parts present a hazard.
- T To be used under direct supervision of an adult.

SAN-TUB1



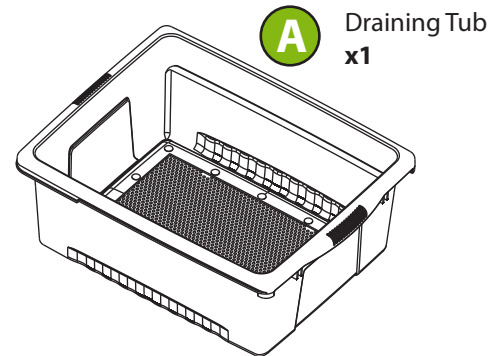
A Draining Tub
x1

B Washing Tub
x1

C Drying Tub
x1

OR

SAN-CC4068



A Draining Tub
x1

Lifetime
All Components
Warranty

Register your Product

Registering your warranty ensures we have all the information we need to make any future warranty claims quick and easy. Please visit www.copernicused.com/warranty and complete the form within 10 business days from product assembly. By registering your product, you will be entered into a draw to win Copernicus product.

Make a Warranty Claim

We offer a Lifetime Warranty on almost everything we make. Please call 1-800-267-8494 or email info@copernicused.com to start your warranty claim. Proof of purchase will be required upon warranty claim (i.e. copy of invoice).

Customer Service - FAQ's



For missing parts and other issues:

Please call Copernicus Customer Service, where we will be happy to help.
1-800-267-8494. Monday - Friday 8:00am - 4:30 pm EST.

OR

Email our Customer Support Service at vanessa@copernicused.com

Check out some of our
other great products!



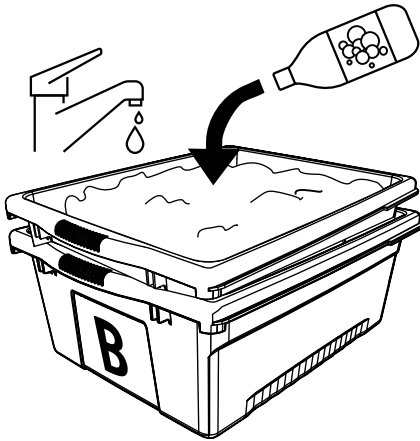
www.copernicused.com



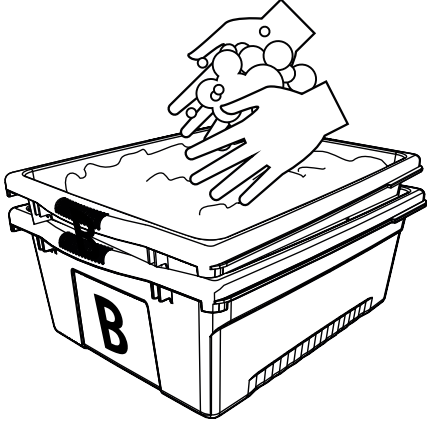
Please Recycle

! For **SAN-CC4068** (Draining Tub Only) perform Step 1-3 in the sink or another available tub.

1 Ensure all manipulatives are covered with water and cleaning solution

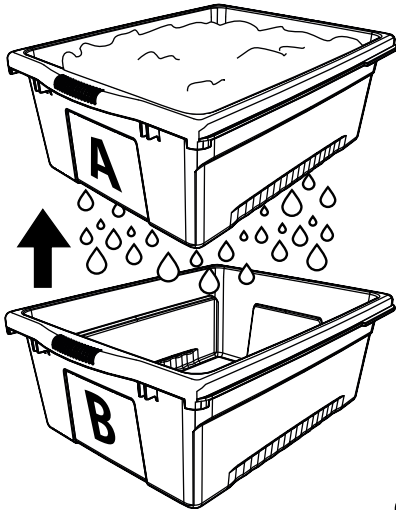


2 Agitate manipulatives in cleaning solution to ensure they are thoroughly disinfected



! Do not fill past top of Washing Tub (Tub B)

3 Lift Tub A to drain the soiled cleaning solution from tub

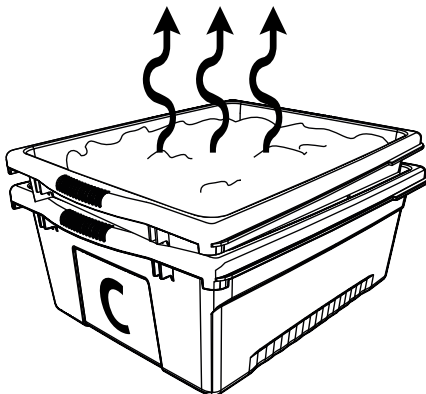


4 Rinse Tub A with water until manipulatives are clear of cleaning solution



SAN-TUB1 ONLY

5 Place Tub A on top of Drying Tub (Tub C) to allow manipulatives to drip dry.



6 Drain and rinse soiled cleaning solution from Washing Tub (Tub B)

