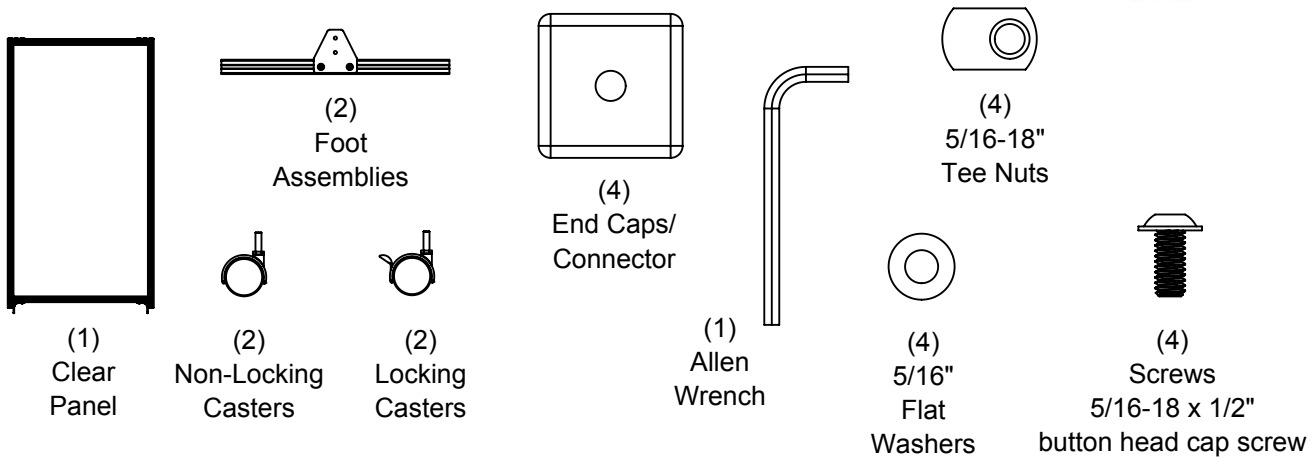


# Clear Mobile Divider

## Instruction Sheet



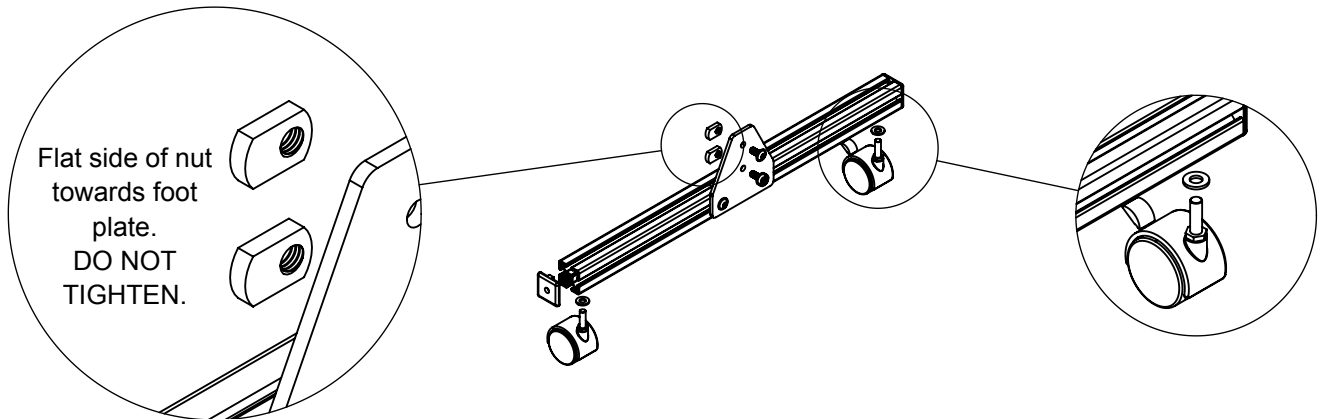
**Step 1:** Remove and unpack the clear panel, feet, casters, and hardware.



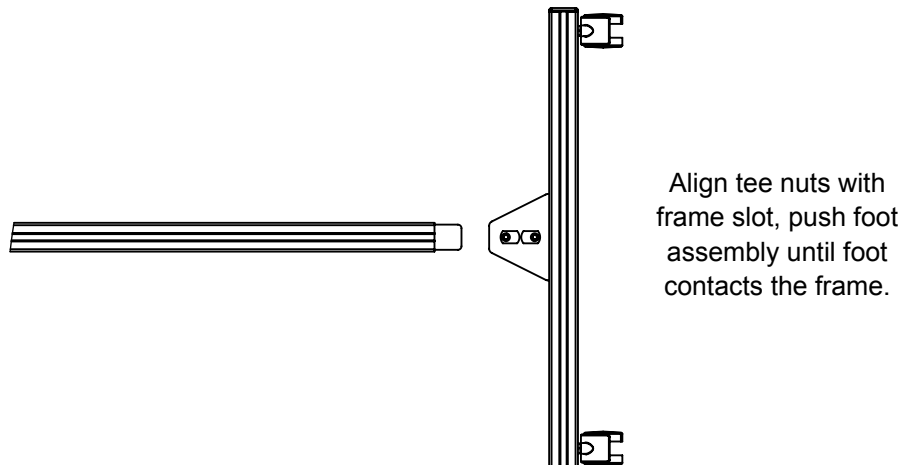
**Step 2:** With the assistance of two (2) people, place the panel onto a sturdy table.

**Step 3:** Assemble foot:

- Insert end caps into ends.
- Insert casters into each foot, ensuring each foot has a locking caster.



**Step 4:** Install the foot assembly onto the clear panel as shown, tighten hardware accordingly. Repeat on other side.



**Step 5:** Recycle all packaging materials in accordance with local regulations.