

STEM Storage Cart

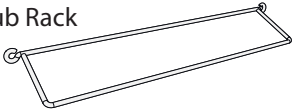


Assembly Guide Amendment This replaces Step 2 of your LW430 assembly guide.

For assistance, please contact us:
1-800-267-8494 or info@copernicused.com
Have your packing slip ready for reference

Contents - LWSTEM-CB

Tiny Tub Rack
2x



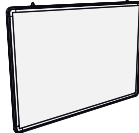
Tiny Tub
8x



Chart Loop Hook
2x
(31062)



Whiteboard
1x
(AC455)



G 1/4" x 3/4" Screw
4x
(430039)



H 1/4" Lock Washer
4x
(43010)



2.1

Actual Size:



A 14x



B 8x

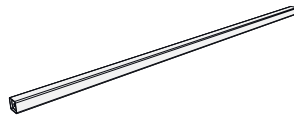


C 14x

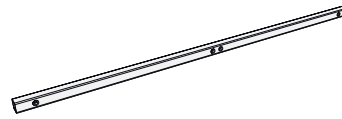
You will need: (Not to Scale)



Bent Stretcher
2x



Straight Stretcher
2x



Straight Stretcher with Threaded Inserts
1x

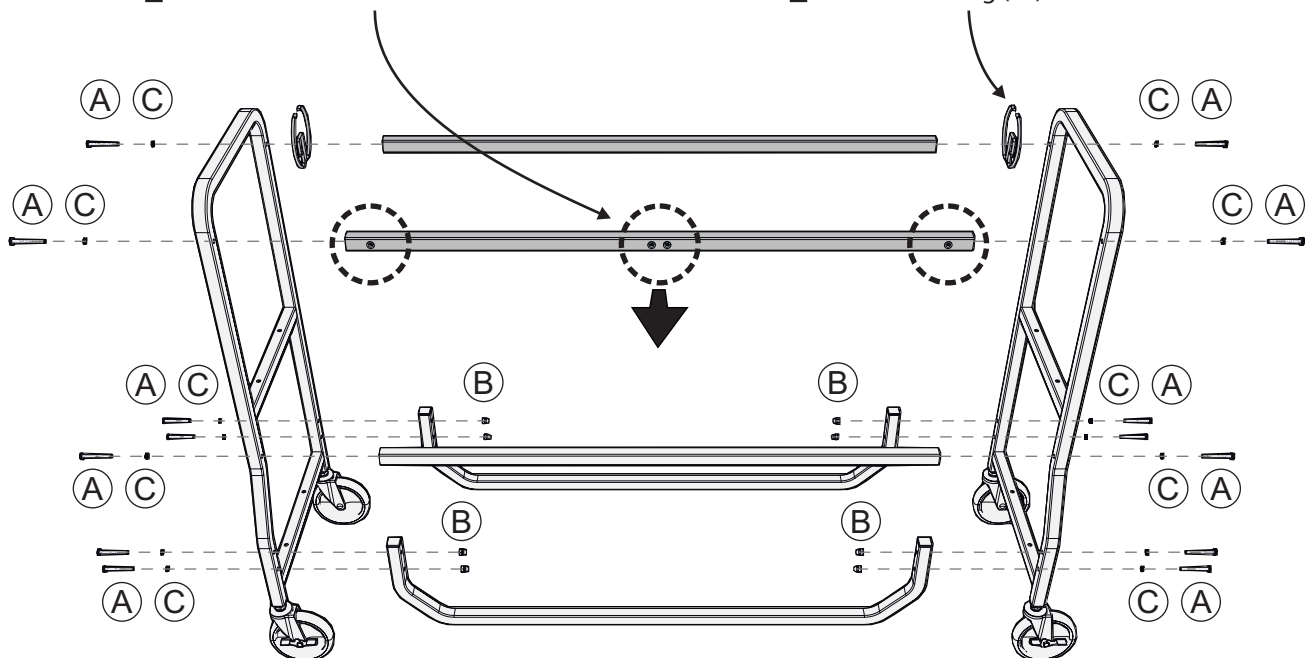


Chart Loop Hook
2x

Attach Stretchers & Chart Loop Hooks

! Stretcher with threaded inserts goes here.
! Inserts must face out.

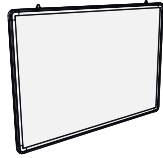
! Install Chart Loop Hooks onto back stretcher
before securing (2x)



2.2

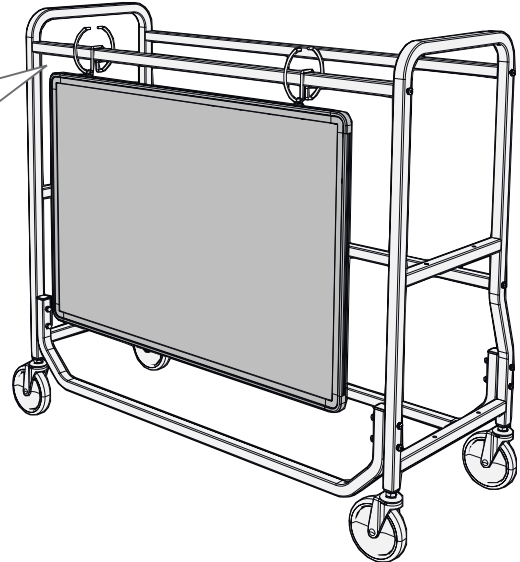
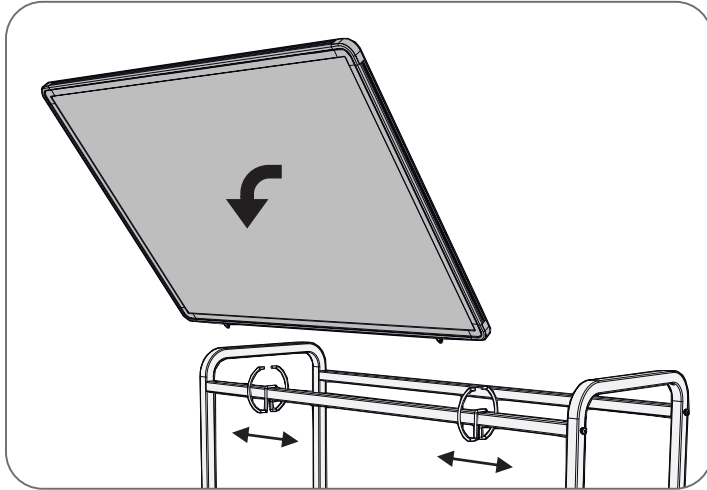
Actual Size:

You will need: (Not to Scale)



Whiteboard
1x

Attach Hanging Whiteboard



2.3

Actual Size:



You will need: (Not to Scale)

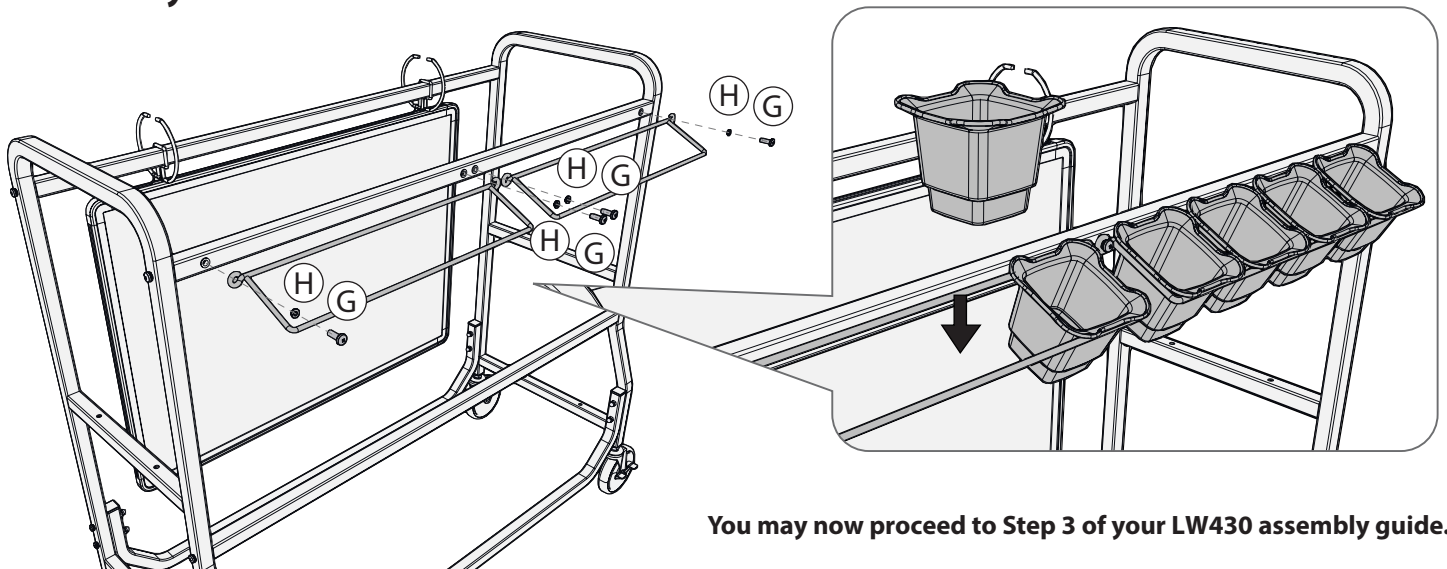


Tiny Tub Rack
2x



Tiny Tub
8x

Install Tiny Tub Racks & Tubs



You may now proceed to Step 3 of your LW430 assembly guide.