

LW430

Library On Wheels



Assembly Guide LW430_2014_B

Check out our other products online at
www.copernicused.com

For assistance, please contact us:

1-800-267-8494

Email info@copernicused.com

Have your packing slip ready for reference

WARNING

- This product is meant to be assembled by an adult.
- In its unassembled state, small parts present a hazard.
- To be used under direct supervision of an adult.



Library On Wheels - Parts

Before beginning, you should have:

Additional tools required:

Adjustable wrench



Rubber mallet

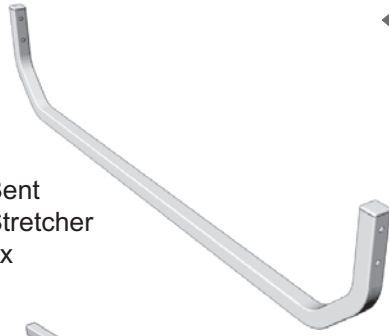


Contents - Box 1

End Frame
2x



Bent
Stretcher
2x



Straight
Stretcher
3x



5" Caster
(2 with brakes)
4x



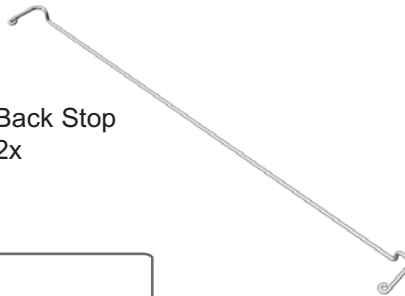
Tub Support
4x



Rubber Stop
8x (4 required)

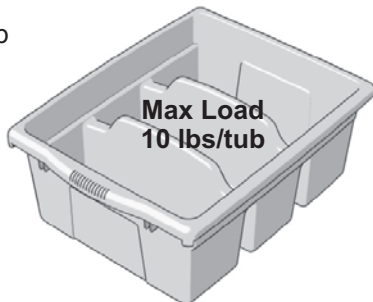


Back Stop
2x



Contents - Box 2

Divided Tub
9x



Hardware Actual Size

In Box 1

A M6 x 55mm Bolt
(43255)
22x



B M6 Acorn Nut
(43271)
8x



C M6 Lock Washer
(43273)
22x

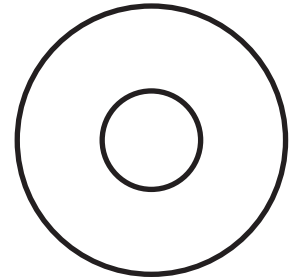


Assembly
Wrench
1x (Not to scale)

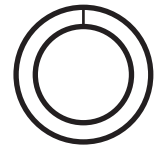


Caster Hardware Bag

D Caster Large
Washer
4x



E Caster Lock
Washer
4x



F Caster Nut
4x



Assembly
Spanner
1x



Tips for Assembly - Using this Manual



2 Person

Watch for These Helpful Symbols

- This symbol denotes a 2 Person Task. For safety, please ensure that there are two people working on steps displaying this symbol
-
- Watch for this symbol throughout the Assembly Instructions. Wherever you see it, pay close attention. The symbol denotes a step needing extra attention to ensure it is done correctly.
-
- The Star symbol highlights an advisory note



Before You Begin



- Layout and identify all of the included parts
- The hardware has been packed by step for your convenience
- Read the assembly instructions over once to familiarize yourself with them
- Please note that in its unassembled state, this product contains parts that can be a hazard to small children; it should be assembled by an adult.

hmmm



As You Assemble the Unit

- Follow the steps in sequence
- Before beginning each step, find the part(s) that you need for that step
- Pay attention to the labeling on the parts, they are there to help direct you at certain stages
- The title of each step states what you will be doing. Review the text and the pictures as you build the unit.

Customer Service - FAQ's



For missing parts and other issues regarding your LW430:

Please call Copernicus Customer Service, where we will be happy to help.

1-800-267-8494. Monday - Friday 8:30am - 4:30 pm EST.

OR

Email our Tech Support Service at vanessa@copernicused.com

**5
Year**
Frame
Warranty


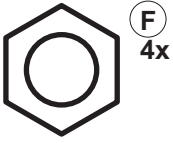
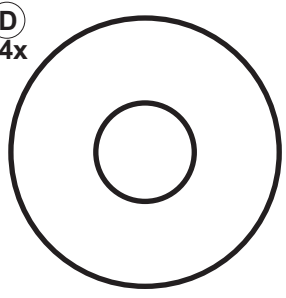

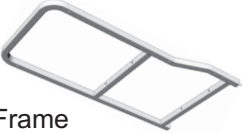

**Life
Time**
Tub
Warranty

Validate Your Warranty On-Line

To validate your warranty submit the ON-LINE form at www.copernicused.com

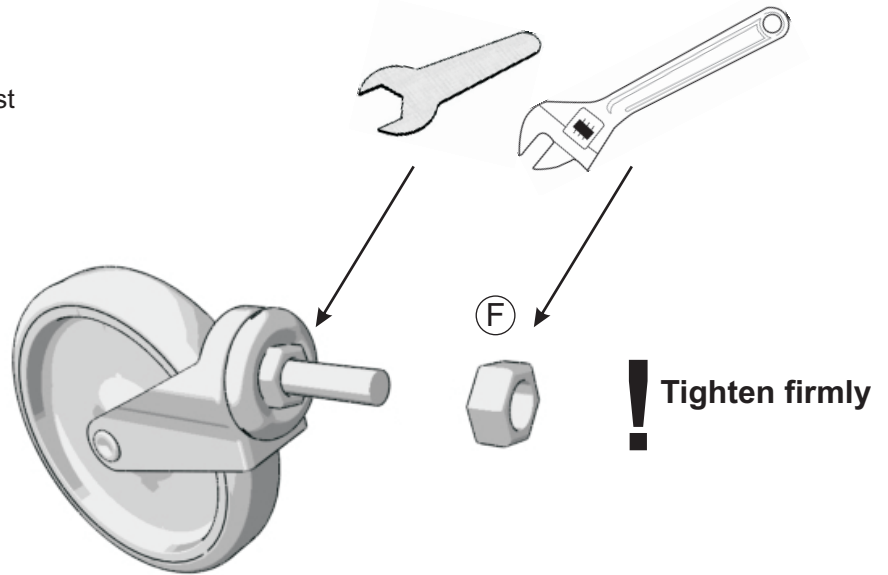
“The beautiful thing about learning is that no one can take it away from you.” - B. B. King



1	Actual Size:			
	You will need: (Not to Scale)	 Assembly Spanner 1x	 End Frame 2x	 5" Caster (2 with brakes) 4x

Attach Casters

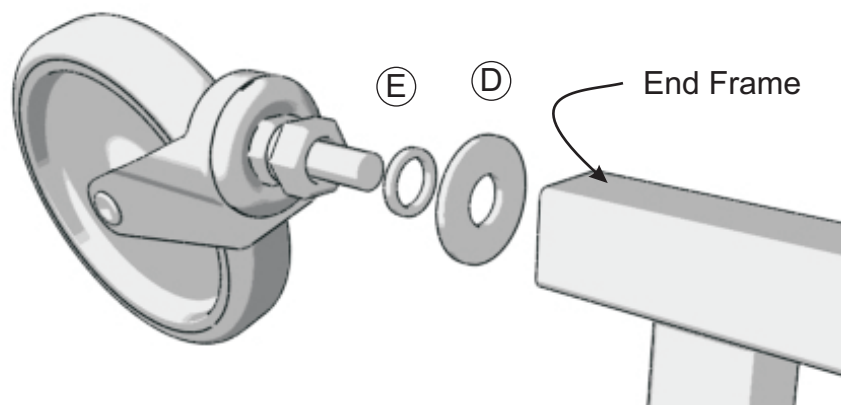
- 1**
 - Install nut on caster stem
 - Using Spanner Wrench provided and your own Adjustable Wrench, tighten nut against the caster.



- 2**

! Note: it is recommended that casters with brakes be located both front or both rear. The rear location is preferred to prevent children from playing with the brakes.

- Place lock washer onto caster stem
- Follow with large flat washer
- **Carefully** thread the casters into the ends of the outside frames. Slowly tighten by the stem base only.
- Tighten firmly. Make sure lock washer is collapsed.
- You may need to use your adjustable wrench (Spanner Wrench) to fully tighten to frame.



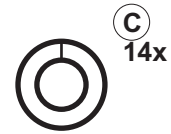
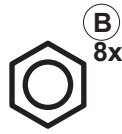
IMPORTANT: Routine Maintenance

- Verify regularly that casters are secure to the unit
- Re-tighten if needed with Wrench



2

Actual Size:



You will need: (Not to Scale)

Bent Stretcher
2x

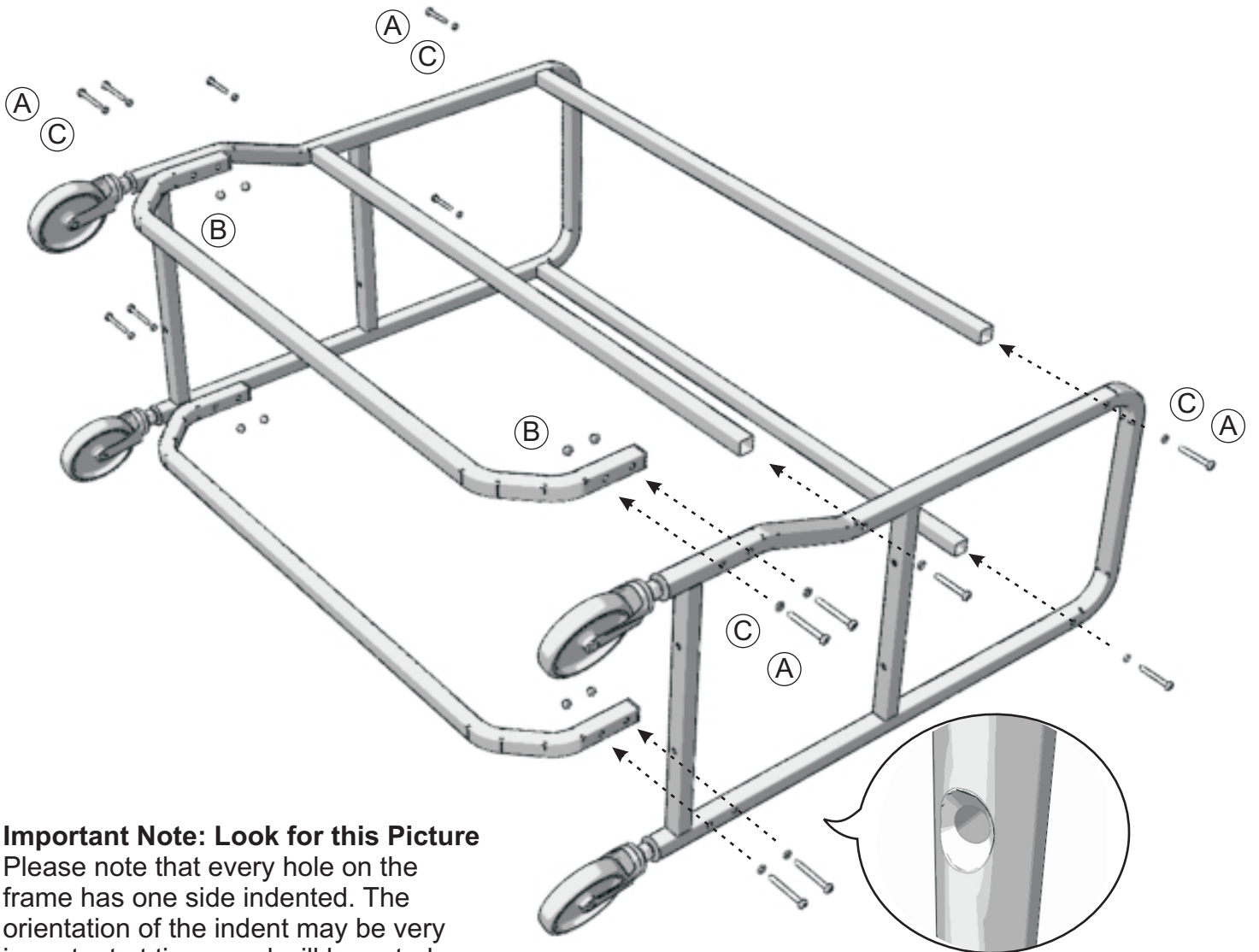


Straight Stretcher
3x



Attach Stretchers

★ **DO NOT TIGHTEN ANY FASTENERS UNTIL PROMPTED!**
Hand tighten only



! Important Note: Look for this Picture
Please note that every hole on the frame has one side indented. The orientation of the indent may be very important at times and will be noted.

Please make sure to orient indent as instructed to make sure hardware holds properly.

! Assemble with end frame hole indents facing outside of unit



3

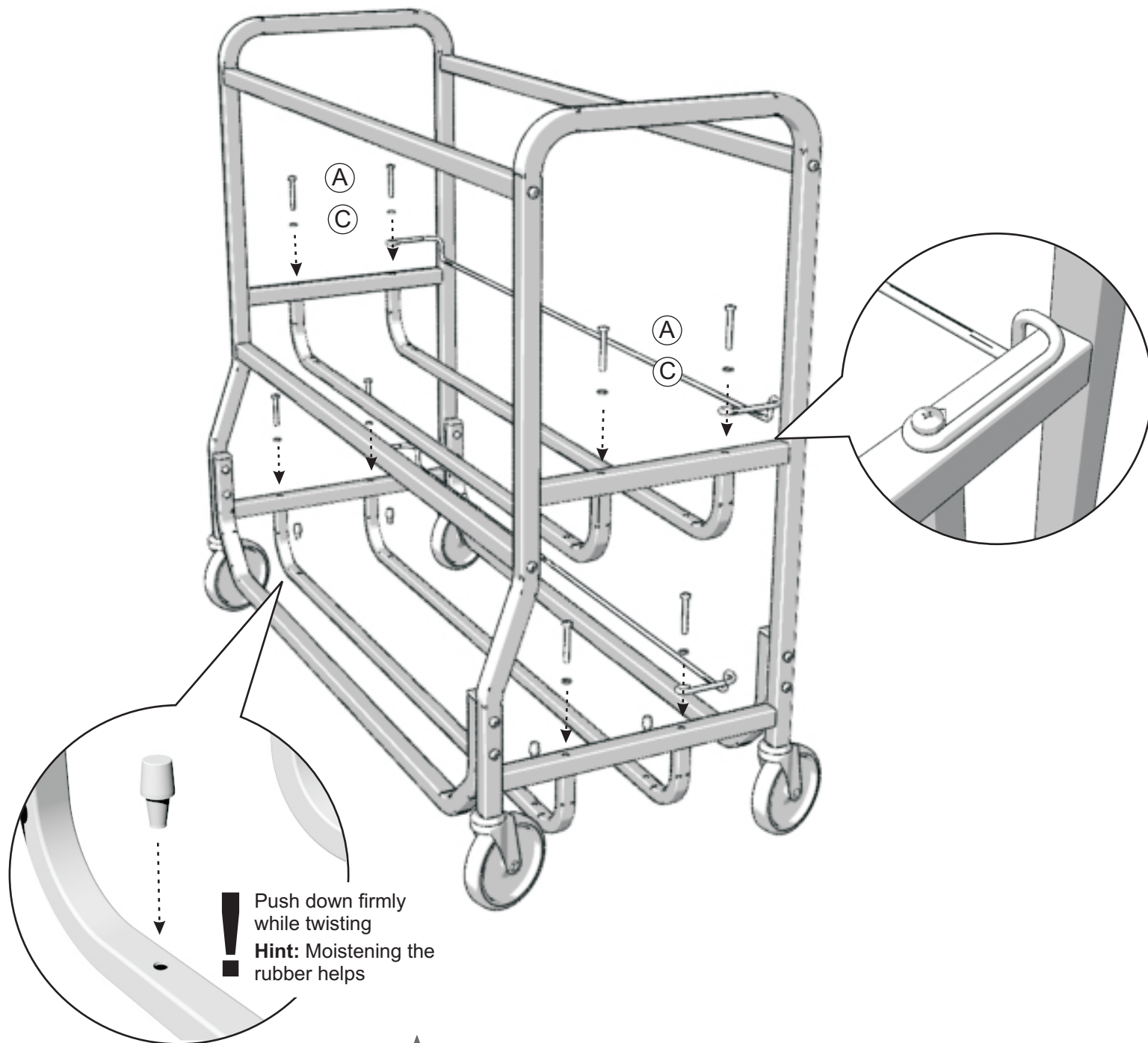
Actual Size:



You will need: (Not to Scale)



Attach Tub Supports and Back Stops



★ **NOW TIGHTEN ALL FASTENERS FIRMLY (22 total)**

