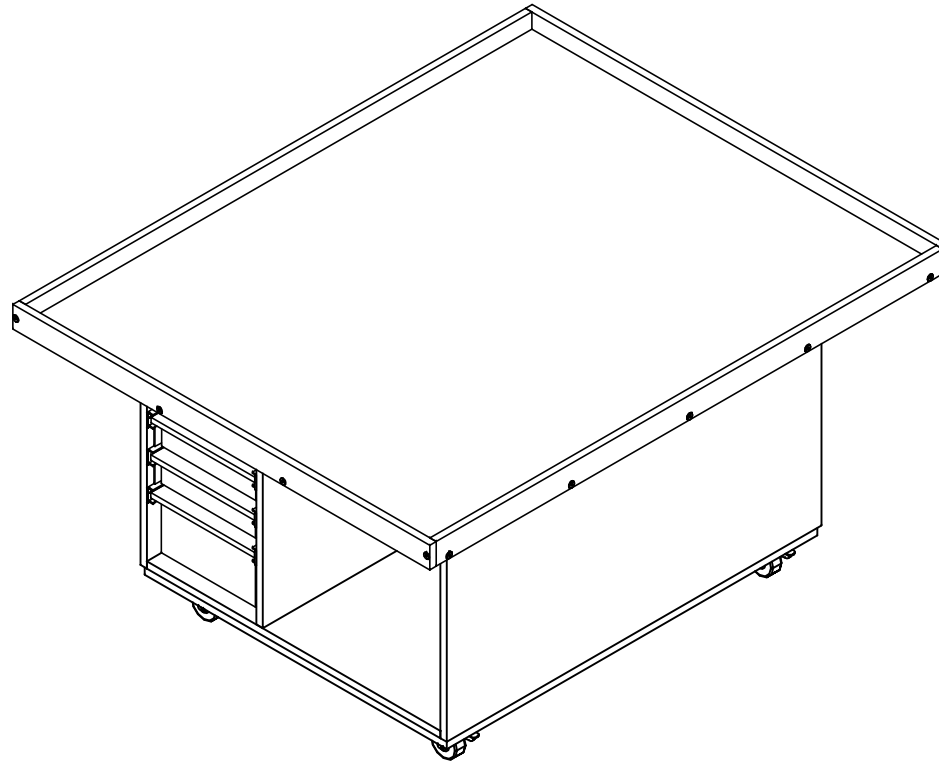


ROBOTICS MOBILE WORKSTATION

XW-4961M
ASSEMBLY INSTRUCTIONS



NOTE:

1. MODEL VIEWS MAY NOT REPRESENT EXACT MODEL PURCHASED

DWN BY:	EMK	DWN DATE:	9/13/19
APR BY:		DATE APR:	
APR BY:		DATE APR:	

UNLESS OTHERWISE SPECIFIED
DIMENSION ARE IN INCHES

CABINET SQUARENESS ± .0625
FRACTIONAL VALUES ± 1/32"
- ALL VALUES ± OVERALL -



300 South Krueger Street
Suring, WI 54174
diversifiedwoodcrafts.com

TITLE:
ROBOTICS MOBILE WORKSTATION
ASSEMBLY INSTRUCTIONS

REVISION LEVEL	DESCRIPTION	DATE	NAME	ECN NO.
A	CREATED DRAWING	9/13/19	EMK	-

THIS DRAWING IS THE SOLE PROPERTY OF
DIVERSIFIED WOOD CRAFTS. IT MAY NOT
BE ALTERED OR CHANGED WITHOUT
PERMISSION

DRAWING NUMBER:	SCALE:	SHEET:	REVISION:
XW-4961M	NTS	1 OF 4	REV A

ASSEMBLY COMPONENTS

ITEMS INCLUDED	PART #	PART DESCRIPTION	QTY
DOUBLE DEPTH TOTE TRAY	254151-CL	SLIM LINE DOUBLE DEPTH TRAY IN CLEAR	2
SINGLE DEPTH TOTE TRAY	254150-CL	SLIM LINE SINGLE DEPTH TRAY IN CLEAR	4

NOTE:

1.

DWN BY:	EMK	DWN DATE:	9/13/19
APR BY:		DATE APR:	
APR BY:		DATE APR:	

UNLESS OTHERWISE SPECIFIED
DIMENSION ARE IN INCHES

CABINET SQUARENESS ± .0625
FRACTIONAL VALUES ± 1/32"
- ALL VALUES ± OVERALL -



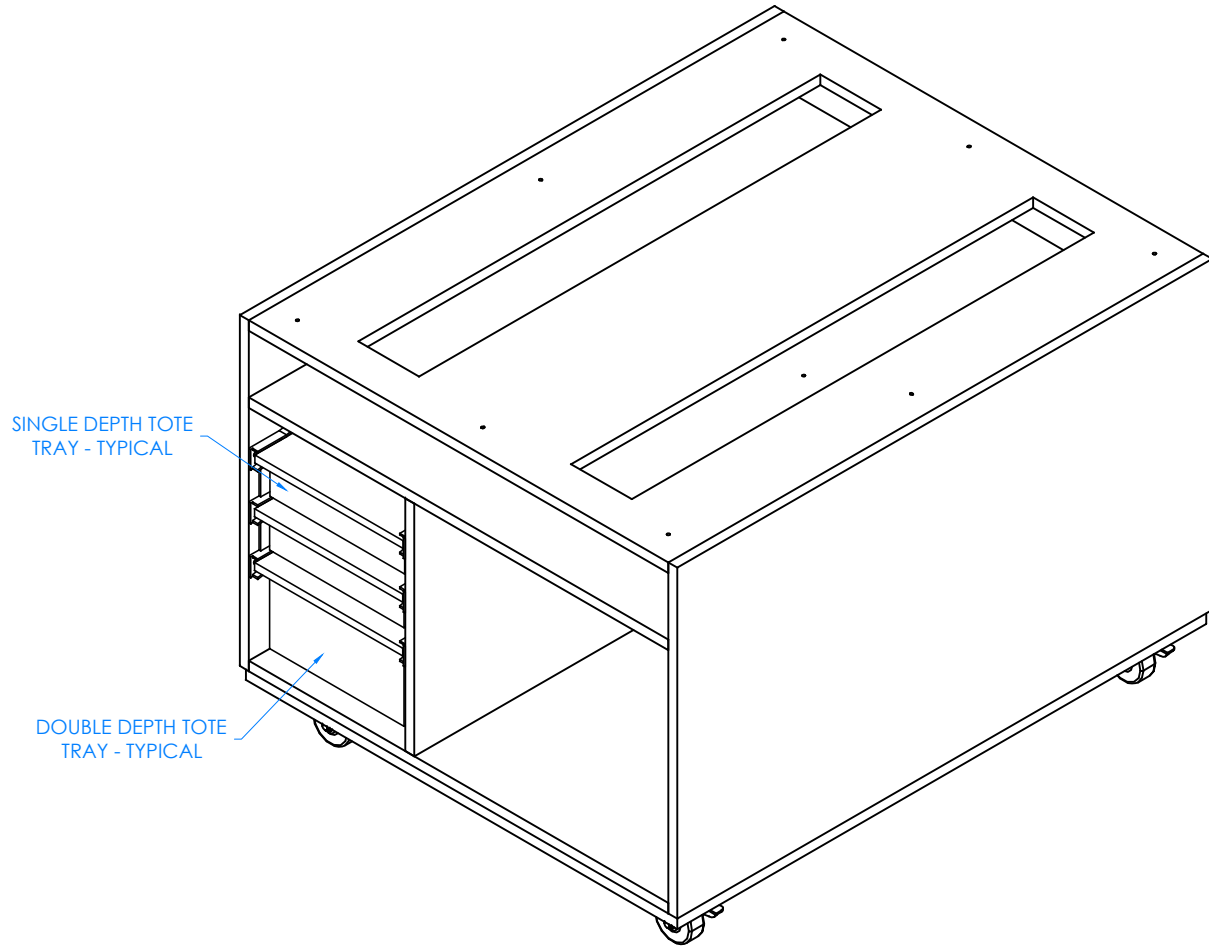
300 South Krueger Street
Suring, WI 54174
diversifiedwoodcrafts.com

TITLE:
**ROBOTICS MOBILE WORKSTATION
TOOLS AND ASSEMBLY COMPONENTS**

A	CREATED DRAWING	9/13/19	EMK	-
REV.	DESCRIPTION	DATE	NAME	ECN NO.
	REVISION LEVEL			

THIS DRAWING IS THE SOLE PROPERTY OF
DIVERSIFIED WOOD CRAFTS. IT MAY NOT
BE ALTERED OR CHANGED WITHOUT
PERMISSION

DRAWING NUMBER: XW-4961M	SCALE: NTS	SHEET: 2 OF 4	REVISION: REV A
------------------------------------	---------------	------------------	--------------------



STEP 1:

- PLACE TOTE TRAYS ONTO TOTE TRAY INSERTS.

NOTE:

- 1.

TOP REMOVED TO SHOW CLARITY

DWN BY:	EMK	DWN DATE:	9/13/19
APR BY:		DATE APR:	
APR BY:		DATE APR:	

UNLESS OTHERWISE SPECIFIED DIMENSION ARE IN INCHES
 CABINET SQUARENESS ± .0625
 FRACTIONAL VALUES ± 1/32"
 - ALL VALUES ± OVERALL -



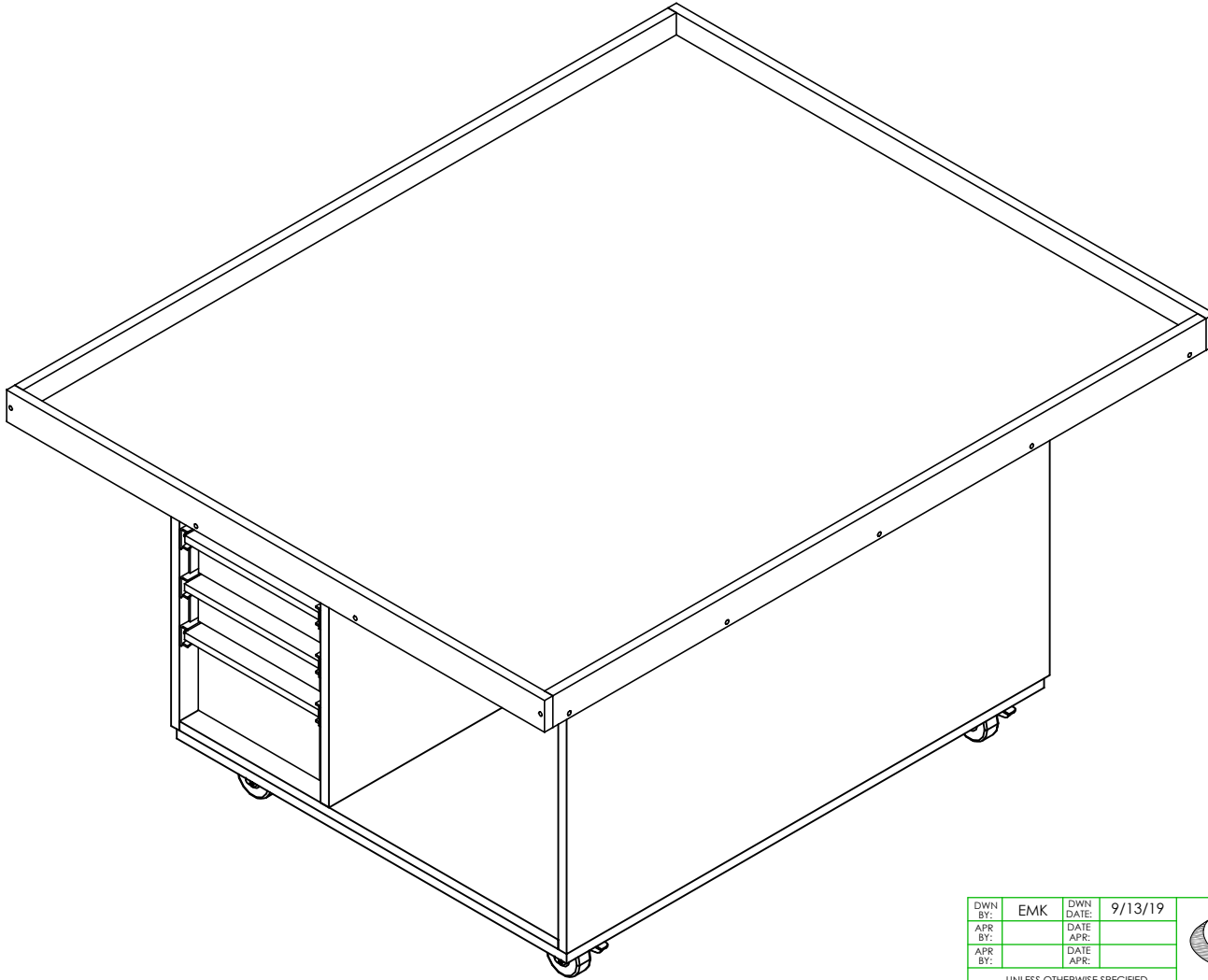
300 South Krueger Street
 Suring, WI 54174
 diversifiedwoodcrafts.com

TITLE:
**ROBOTICS MOBILE WORKSTATION
 ASSEMBLY INSTRUCTIONS**

REV.	DESCRIPTION	DATE	NAME	ECN NO.
A	CREATED DRAWING	9/13/19	EMK	-
REVISION LEVEL				

THIS DRAWING IS THE SOLE PROPERTY OF DIVERSIFIED WOOD CRAFTS. IT MAY NOT BE ALTERED OR CHANGED WITHOUT PERMISSION

DRAWING NUMBER:	SCALE:	SHEET:	REVISION:
XW-4961M	NTS	3 OF 4	REV A



STEP 2:

- PLACE MOBILE WORKSTATION IN DESIRED LOCATION.

NOTE:

1.

COMPLETE UNIT SHOWN

DWN BY:	EMK	DWN DATE:	9/13/19
APR BY:		DATE APR:	
APR BY:		DATE APR:	

UNLESS OTHERWISE SPECIFIED DIMENSION ARE IN INCHES
 CABINET SQUARENESS ± .0625
 FRACTIONAL VALUES ± 1/32"
 - ALL VALUES ± OVERALL -



300 South Krueger Street
 Suring, WI 54174
 diversifiedwoodcrafts.com

TITLE:
**ROBOTICS MOBILE WORKSTATION
 ASSEMBLY INSTRUCTIONS**

REVISION LEVEL	DESCRIPTION	DATE	NAME	ECN NO.
A	CREATED DRAWING	9/13/19	EMK	-

THIS DRAWING IS THE SOLE PROPERTY OF DIVERSIFIED WOOD CRAFTS. IT MAY NOT BE ALTERED OR CHANGED WITHOUT PERMISSION

DRAWING NUMBER:
XW-4961M

SCALE:	SHEET:	REVISION:
NTS	4 OF 4	REV A