



# SONIK®

## Modular Soft Seating 36" Curved Bench

**MODEL**  
(16"HEIGHT) LF1250  
(18"HEIGHT) LF1251

### DIMENSIONS + FREIGHT

Model	W"	H"	D"	Wt.	F.C.
LF1250-xxx	51"	16"	18"	36.5 lbs.	175
LF1251-xxx	51"	18"	18"	38 lbs.	175

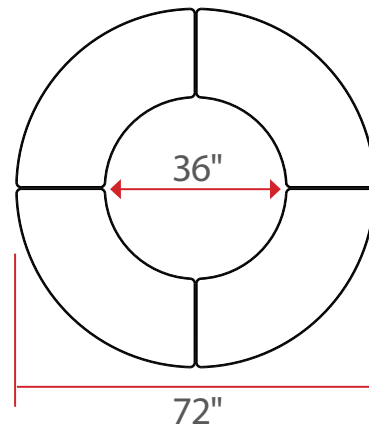
### LEAD-TIME

Models ordered with Standard Colors ship within 4-6 weeks. Models ordered with Special Order Colors ship within 6-8 weeks. Note: To ship in 4-6 weeks, all products on a purchase order MUST be 6-week lead-time or less. If any item on a purchase order is not considered a 6-week lead-time or less, the entire order will ship at the time the longest lead-time item is available.

### MATERIALS

- All Foam Construction
- Durable Vinyl Upholstery Covering
- Reinforced Seams and Stitching
- Wood Base with Metal Inserts
- 1.5" Carpin Glides

Curved bench seating provides additional seating options for corridors, common areas, or media centers. Perfect for utilizing within large furniture groupings as a place to set personal items or spread out items for a project. Establish color schemes with pops of color to add a visual accent nearly anywhere.

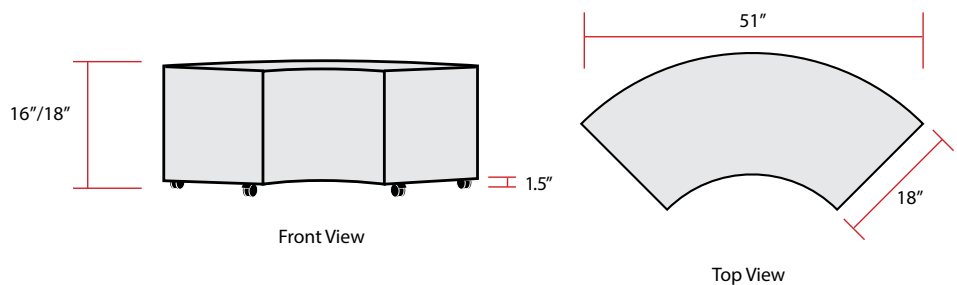


### OPTIONAL ACCESSORY

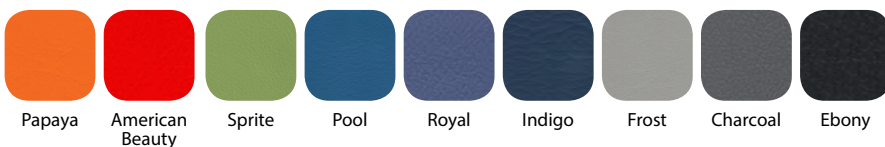


Make it Mobile with Casters

Model 98-1007



### FABRIC OPTIONS (STANDARD) Special Order colors available.



Previous standard vinyl options (Orange, Tomato, Leap Frog, Neptune, Royal, Imperial, Dove, Graphite and Black) have been replaced with new vinyl options shown here. Due to pattern scale and color variations in computer monitors and printers, we recommend you view actual samples before making surface material selections.