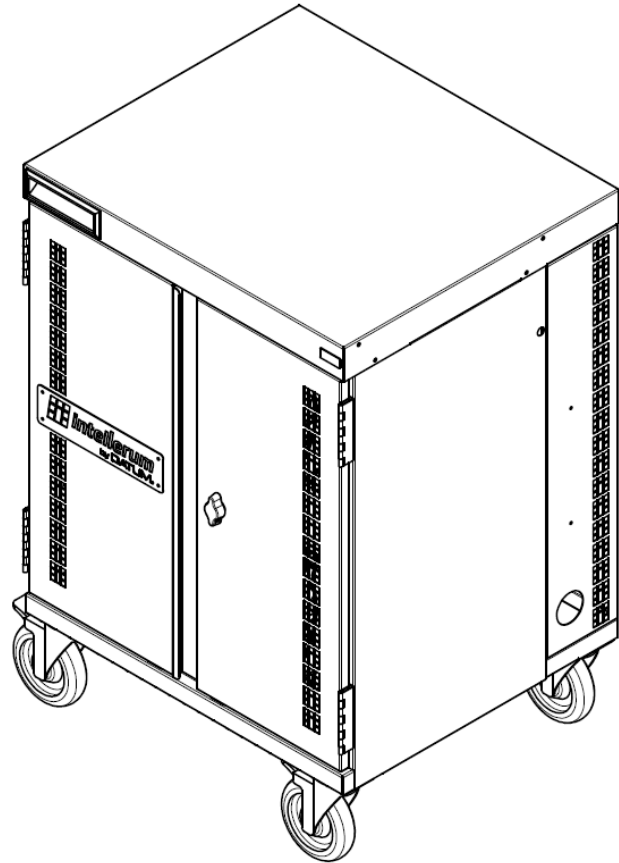


TEKCART™ GLC

Technical Specifications

Models

- GLC-32
- GLC-32T
- GLC-32XL
- GLC-32XLT



Features and Benefits

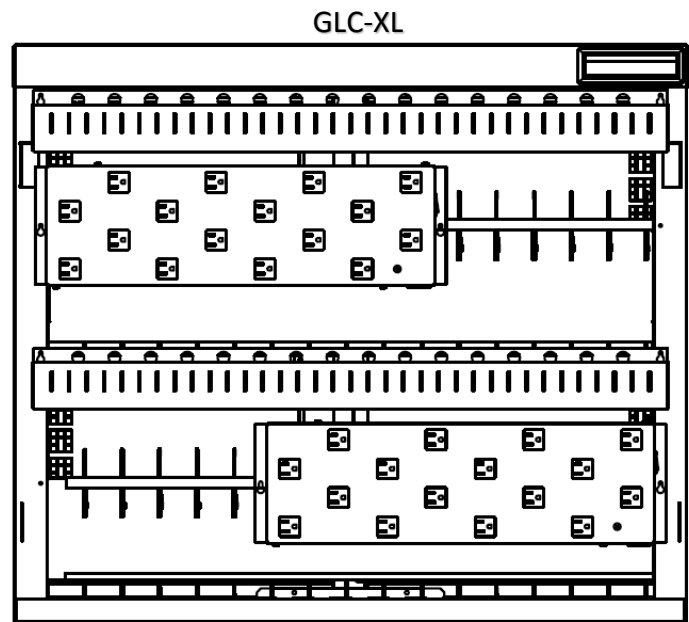
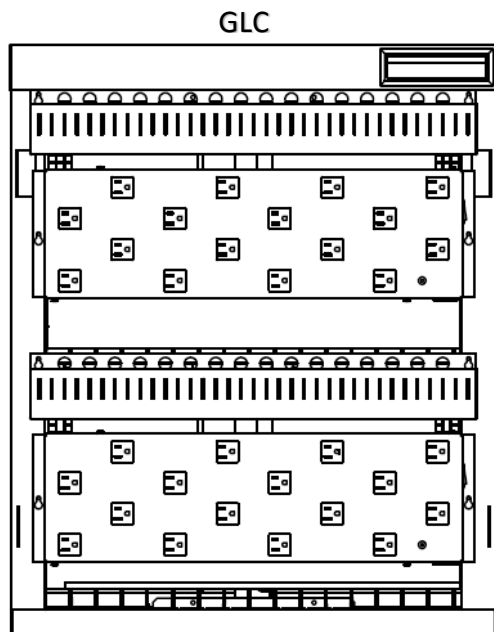
- Stores, charges, and transports up to 32 devices
- Full Metal Construction
- Charges via AC power strips with an optional Timer version that manages the charging.
- Models with a timer include an external power switch, making it easy to power the cart on and off
- 3-Point locking hinged front doors with a hasp locking system (utilizes a padlock); fold flat to help reduce the overall footprint and sit out of the way when the cart is in use
- Integrated hand-holds save on the footprint of the cart
- Plastic Cable Management Dividers (CMD) keep cables organized
- Optional brick storage trays available to store/organize mid-cable power bricks (**GLC-BT/GLC-XL-BT**)
- Four 5" swivel casters, two of them locking
- Cord wrap organizes the cart power cable(s)
- The removable back panel provides easy, but secure access to charging components for IT personnel
- Carts ship fully assembled (with exception of CMD's and cord wrap)
- Lifetime warranty on parts; limited 3 year warranty on the electrical components

Specifications

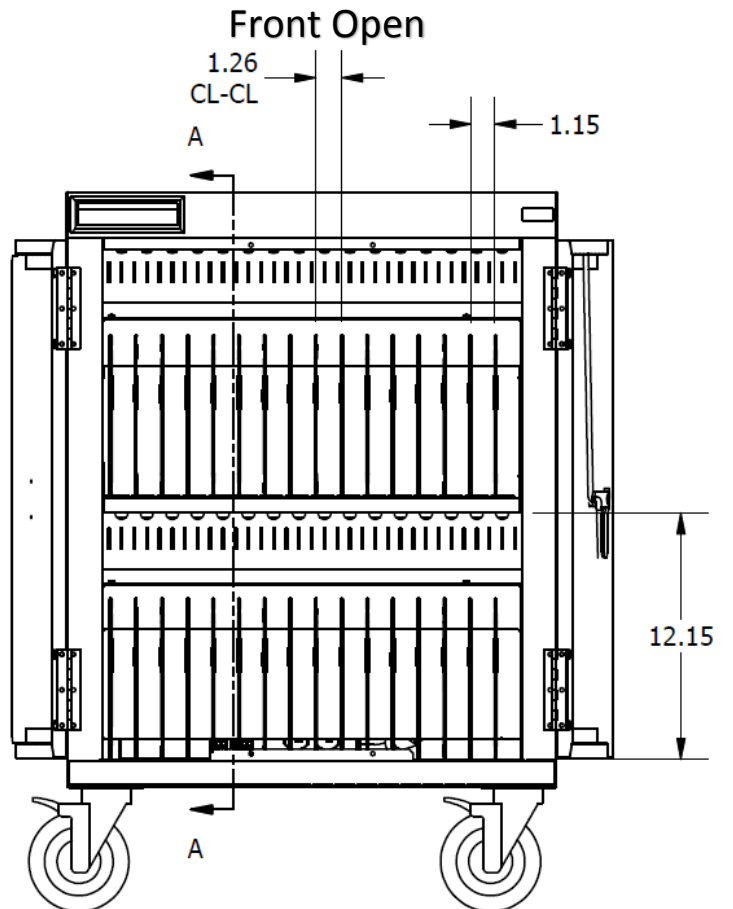
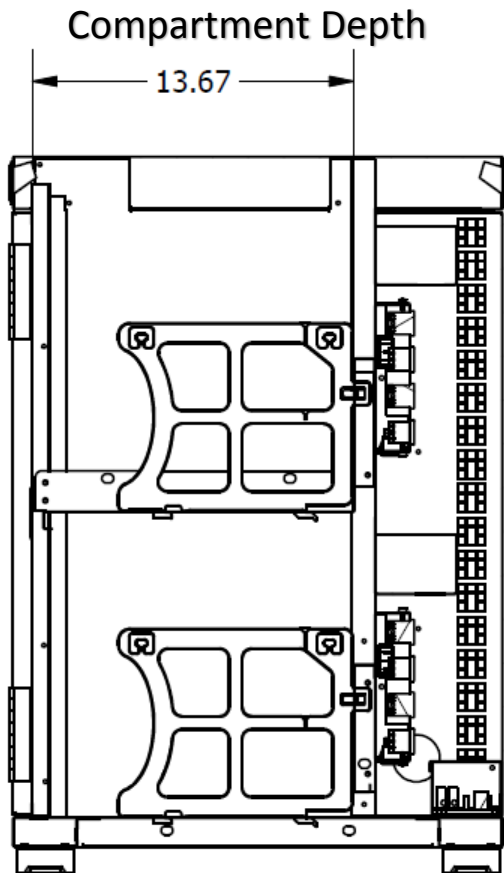
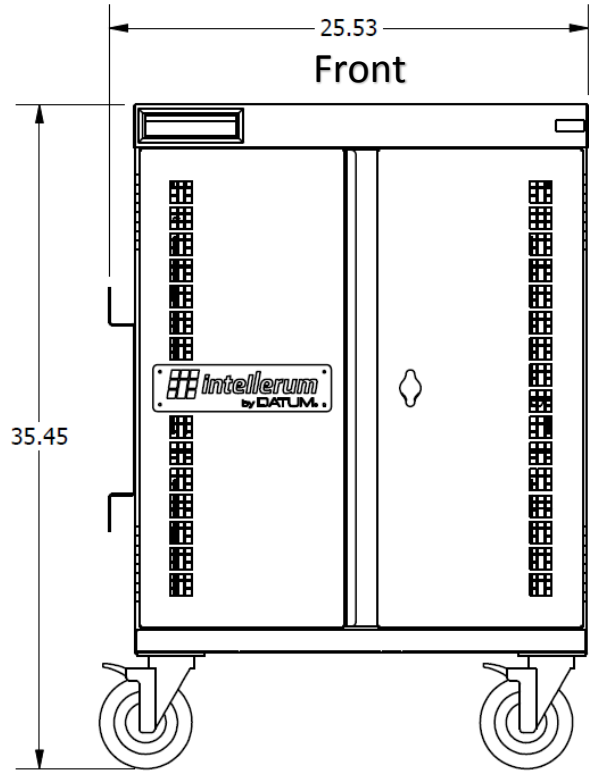
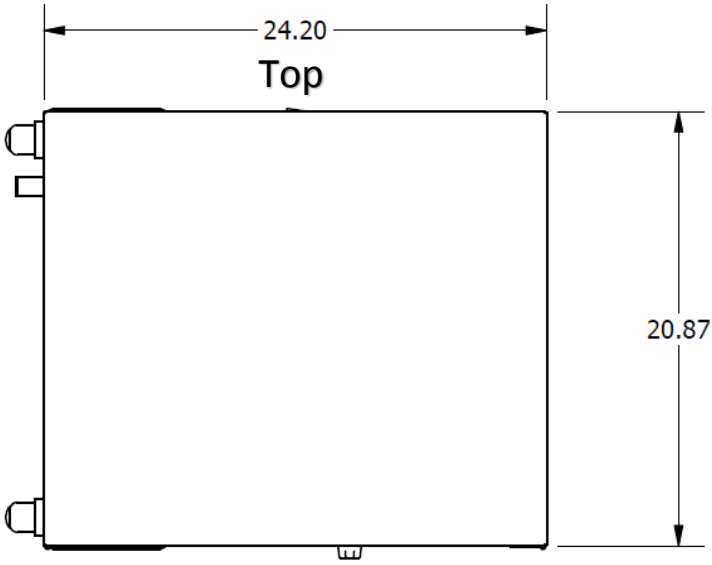
- Cart base is constructed of 18 gauge steel
- Shelves, top, and cart panels are constructed of 20 gauge cold rolled steel

Cart Description	GLC	GLC with Timer	GLC-XL	GLC-XL with Timer
Part Number	GLC-32	GLC-32T	GLC-32XL	GLC-32XLT
Device Capacity	32	32	32	32
Slot Dimensions (W x H x D)	1.15" x 12.15" x 13.67"	1.15" x 12.15" x 13.67"	1.875" x 12.9" x 17.7"	1.875" x 12.9" x 17.7"
Cart Dimensions (W x H x D)	24.2" x 35.45" x 20.9"	24.2" x 35.45" x 20.9"	35.9" x 36.95" x 24.9"	35.9" x 36.95" x 24.9"
Power (works with standard 15 Amp power outlets)	12 Amp draw; Two 16-outlet UL Listed AC power strips; (2) 10 ft. power cords	12 Amp draw; Alternating Timer with two 16-outlet UL Listed AC power strips; (1) 10 ft. power cord	12 Amp draw; Two 16-outlet UL Listed AC power strips; (2) 10 ft. power cords	12 Amp draw; Alternating Timer with two 16-outlet UL Listed AC power strips; (1) 10 ft. power cord
Shelves	2	2	2	2
Net Weight	92 lbs	95 lbs	135 lbs	140 lbs
Shipping Weight	112 lbs	115 lbs	155 lbs	160 lbs
Warranty (Mechanical/ Electrical)	Full lifetime on the cart / 3 yr electrical	Full lifetime on the cart / 3 yr electrical	Full lifetime on the cart / 3 yr electrical	Full lifetime on the cart / 3 yr electrical

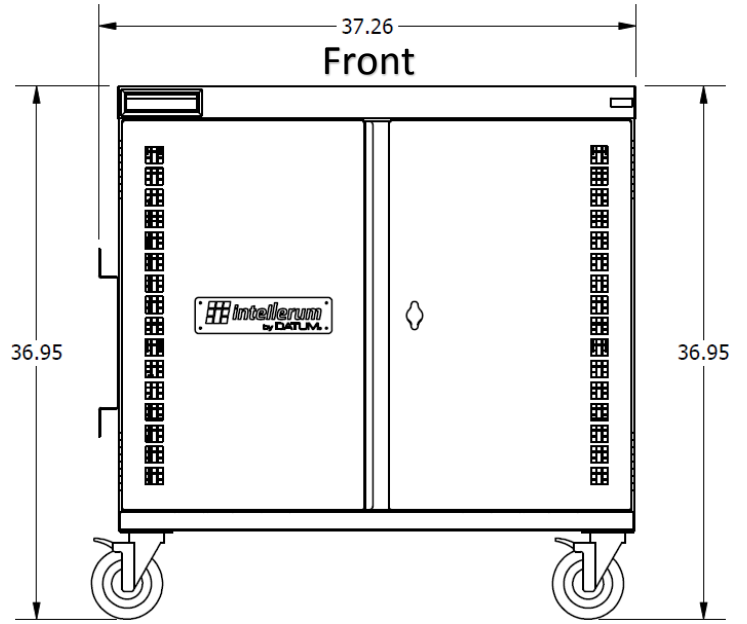
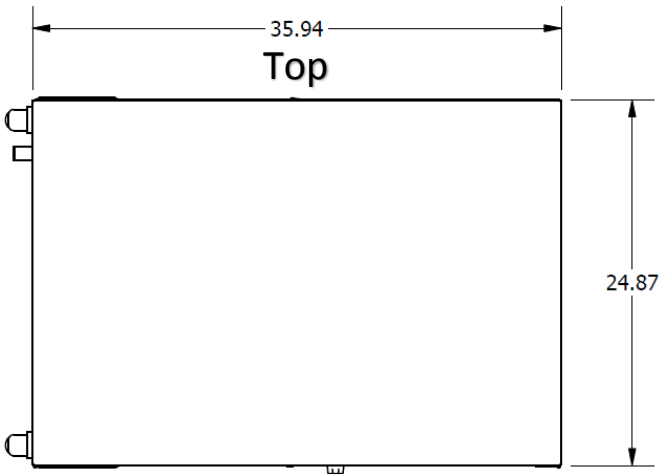
Staggered Power Outlets with Optional Brick Trays



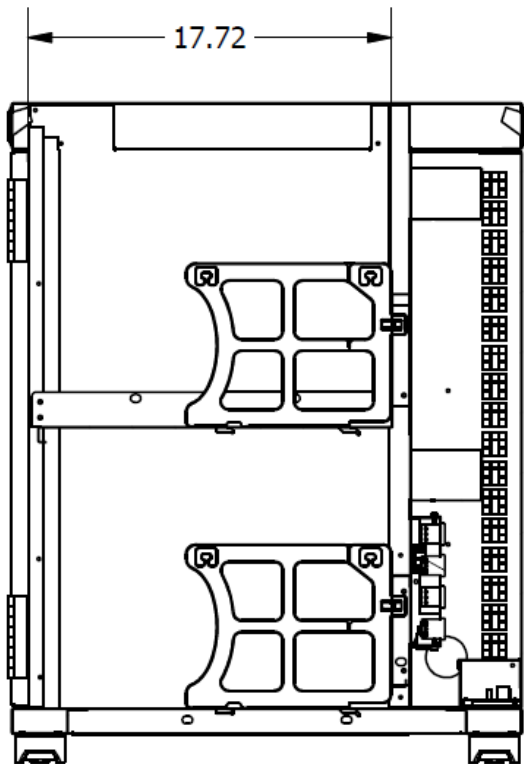
GLC



GLC-XL



Compartment Depth



Front Open

