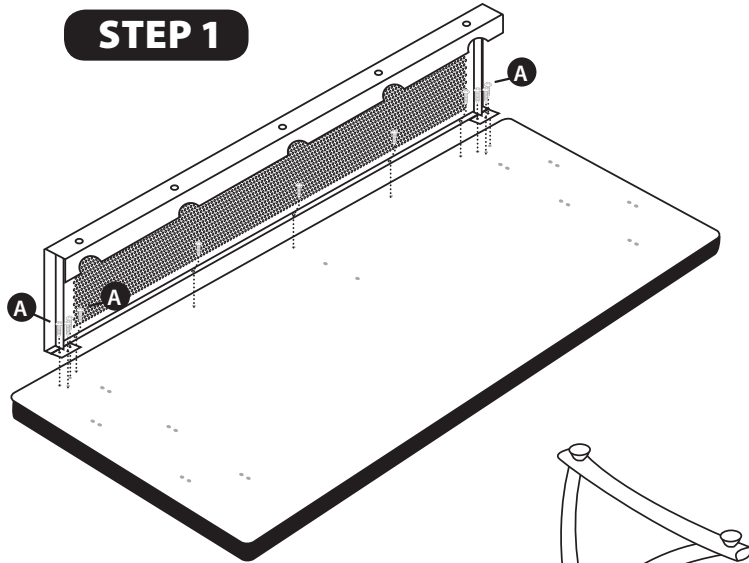
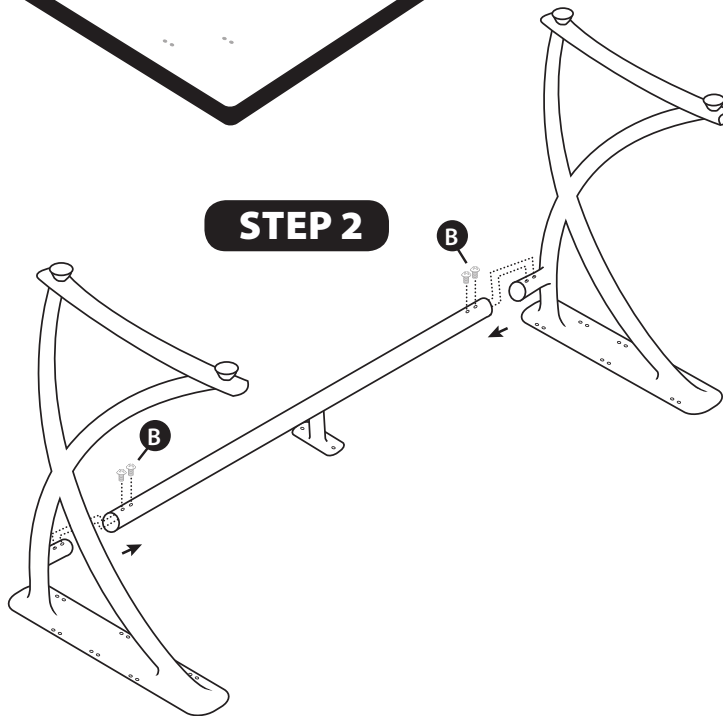


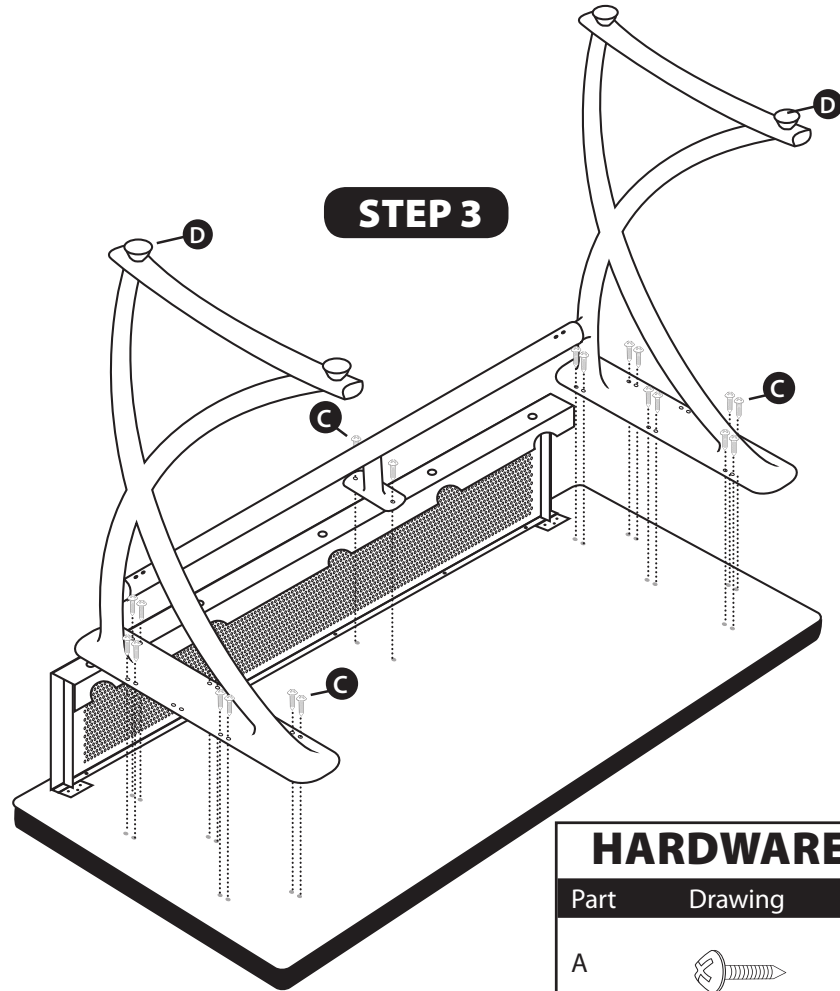
STEP 1



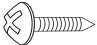

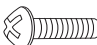

STEP 2



STEP 3



HARDWARE LIST

Part	Drawing	Qty
A		11
B		4
C		22
D		4

NOTE: FOR TABLE WITHOUT MODESTY PANEL, START WITH STEP 2.