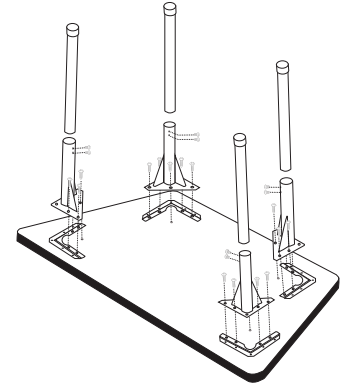
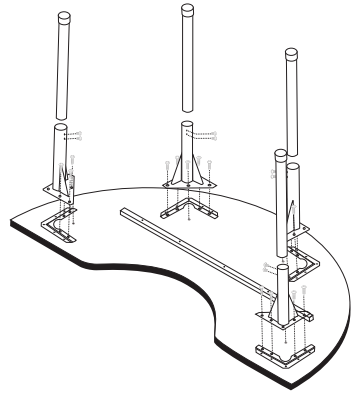
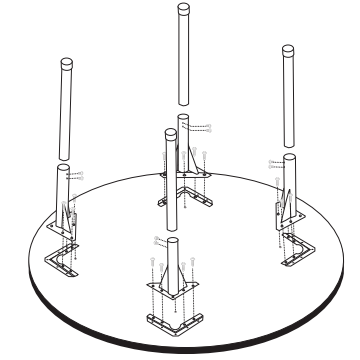
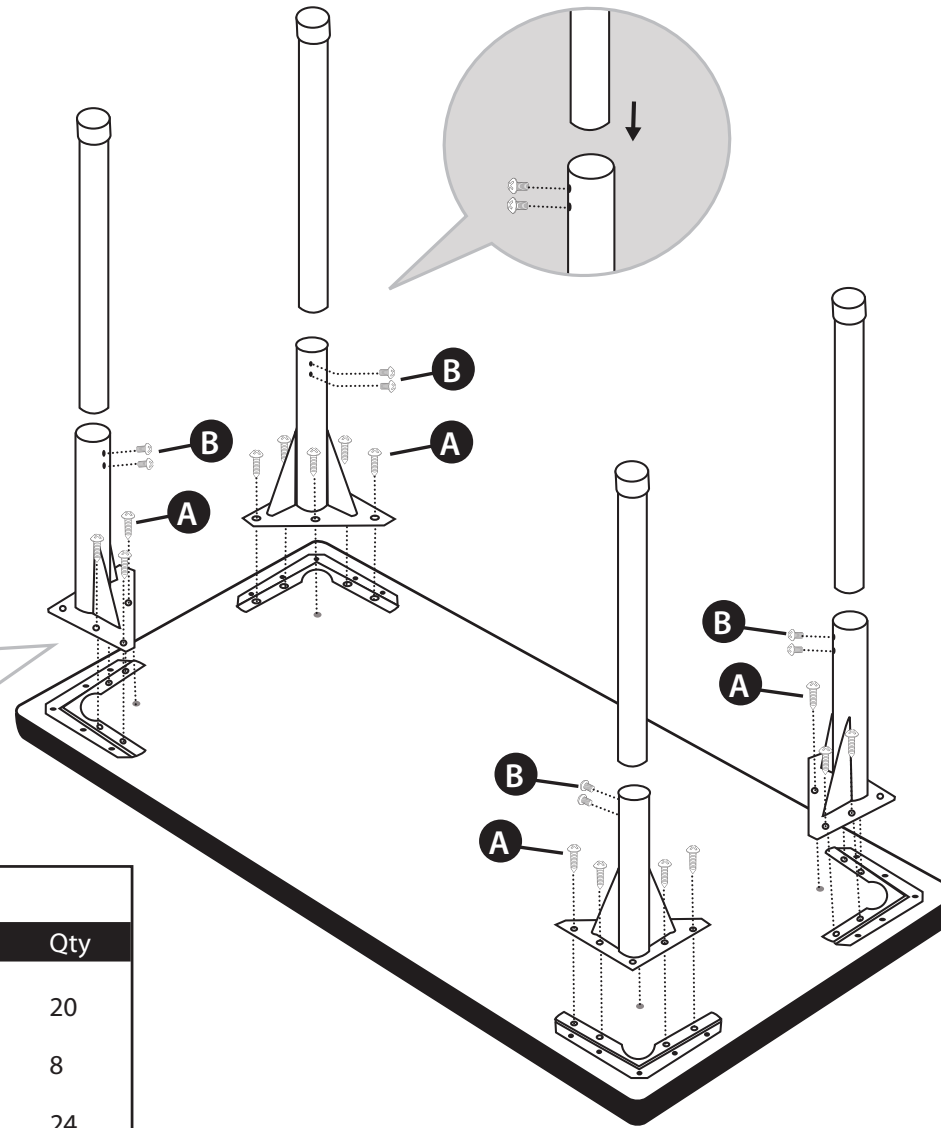
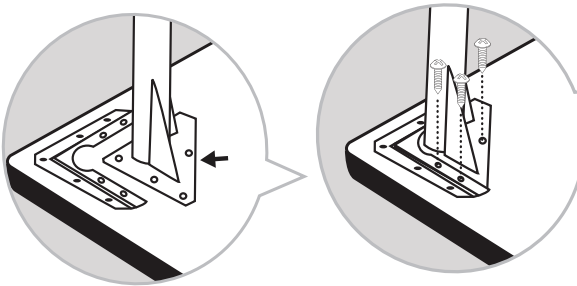


TO ASSEMBLE:

1. Deeply set the triangular steel plate at the top of each leg into the L-brackets already affixed to the table top. Then drill the 12x1" screws into each of the leg's 5 screw holes.
2. Repeat on all four sides.
3. Place the insert legs into the upper legs and attach using 2 screws (5/16x18) per leg.
4. Repeat on all four legs.



HARDWARE LIST

Part	Drawing	Description	Qty
A		Leg Screw	20
B		Leg Insert Screw	8
C*		Leg Box Screw	24

*These are to be used for Petal desks only. They are not needed for tables & can be discarded.