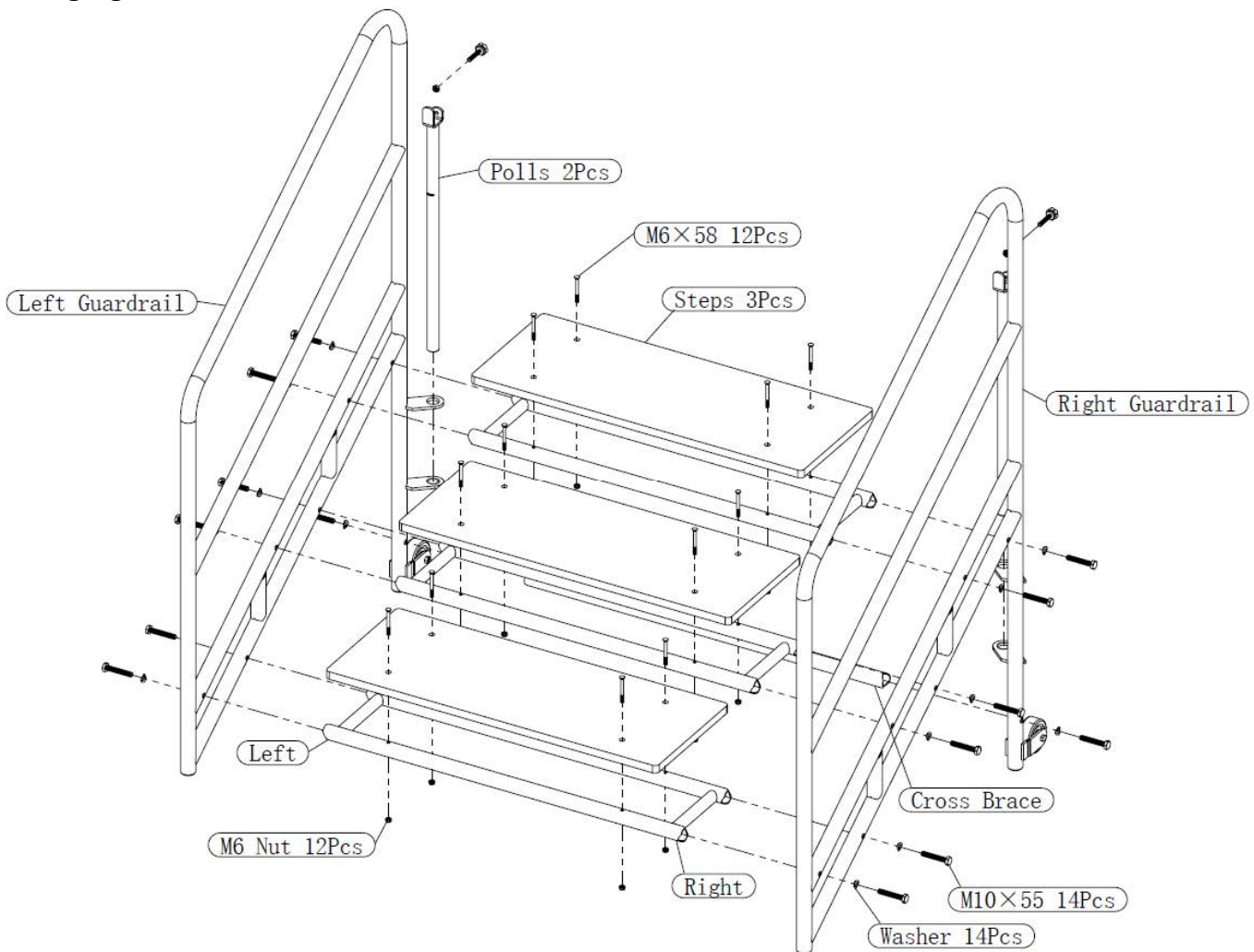


Assembly Instructions

STP-32

Begin by identifying all the parts of the unit. Your unit should include the following:

- 2– Guardrails –
- 3 – Metal step frames
- 3 - Wood steps
- 1—Long Cross Brace
- 14 – Thick Bolts (M10 X 55)
- 14 – Washers
- 12 – Thin bolts + Nuts/Lock Washers (M6 x 58)
- 2—Ganging Polls

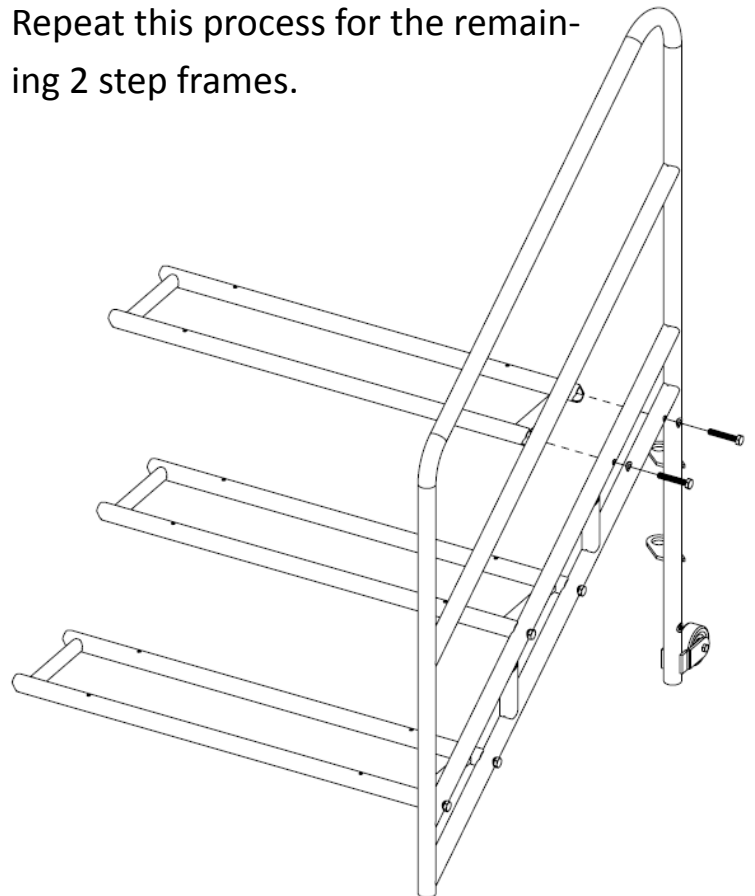
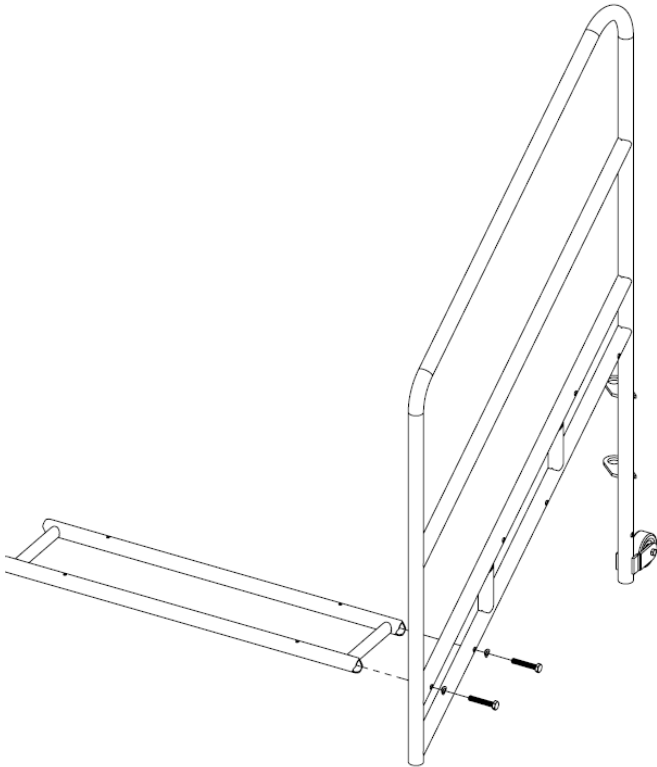


Note that one guardrail is labeled “R” for right and one guardrail is labeled “L” for Left. In addition there are labels at each end of the metal step frame identifying right & left sides.

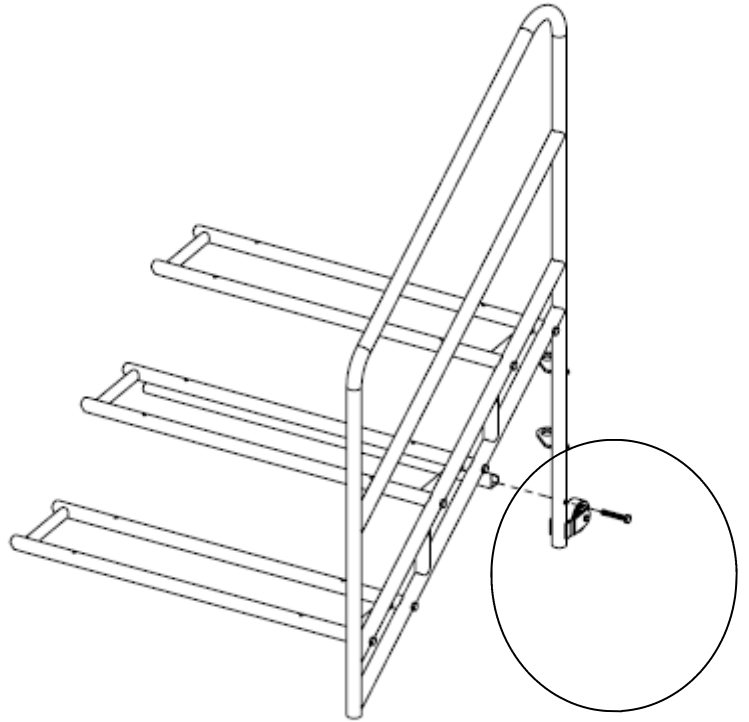
Begin by aligning one of the sides of the metal step frame to the inside of one of the guardrails. Important. Make sure that the side of the metal step frame is marked the same as the guardrail.

Once the two holes in the frame are aligned with two holes on the guardrail, place the provided washer on the M10 bolts and thread the bolts through the guardrail and thread it into the ends of the metal step frame.

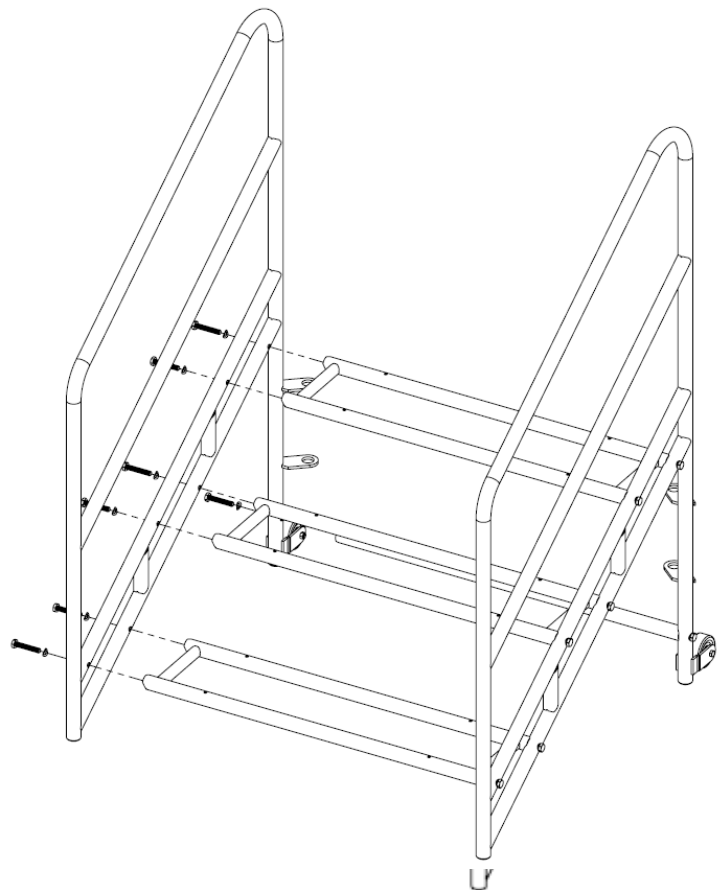
Repeat this process for the remaining 2 step frames.



Locate the long cross brace and begin to align the end of the brace to the hole on the guardrail as shown in the illustration. Once the end of the cross brace is aligned, place a washer on an M10 bolt and attach the brace to the guardrail by threading the bolt through the guardrail and into the end of the brace.

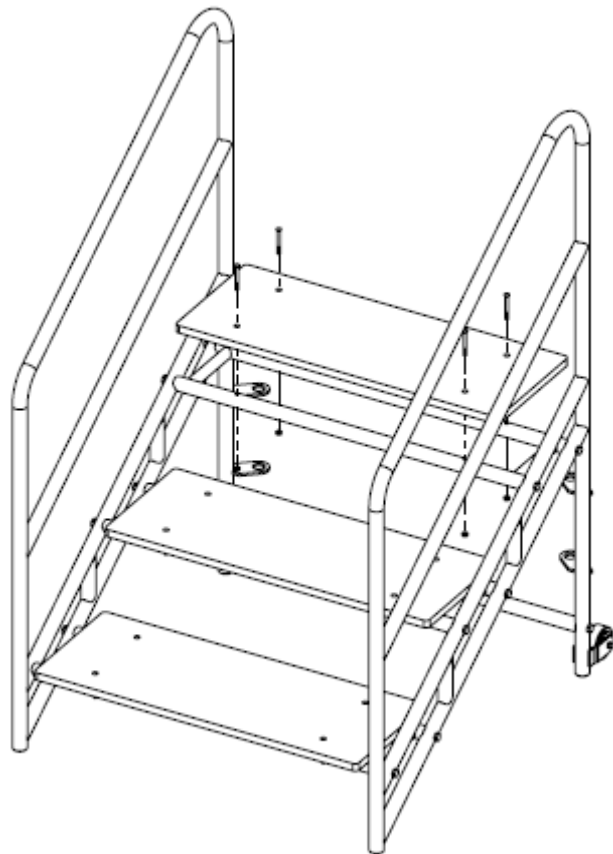
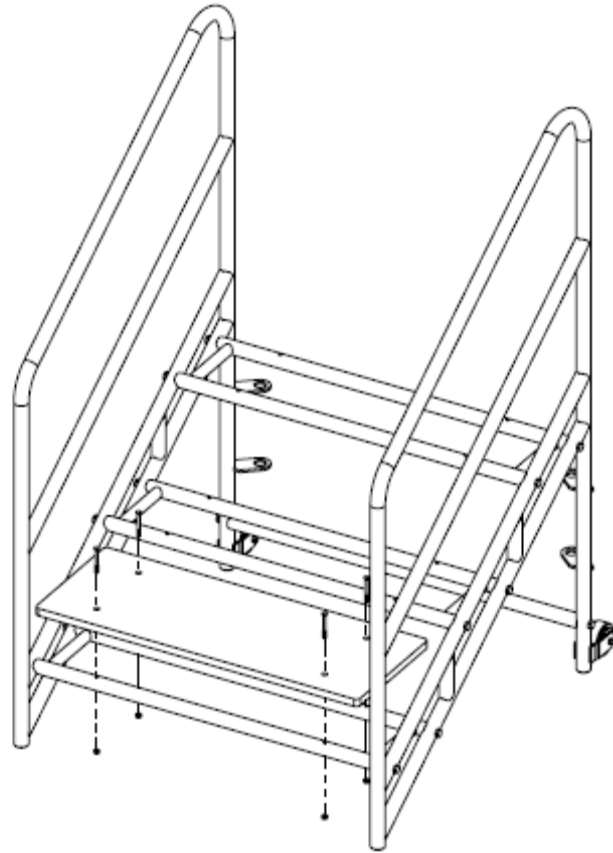


Repeat the same process on the left side of the unit by aligning the ends of the metal step frames and the cross brace with the holes on the second guardrail. Use 7— M10 bolts and washers to attach all three metal step frames and cross brace.



Use a proper wrench to tighten all the bolts to ensure that the unit is stable.

Once all the bolts are tightened and the structure is stable, continue to attach each wooden step to the frame. Begin by placing each step over the metal step frame. Align the four holes on the wooden steps with the four holes in the metal frame. Once the holes are aligned, thread four M6 thin bolts through the step and through the metal frame. Use the M6 nuts and lock washers provided to fasten the step to the frame.



Repeat this process for all of the three steps.



To complete the unit insert the two polls onto the sockets located at the end of each guardrail as shown in the illustration below.

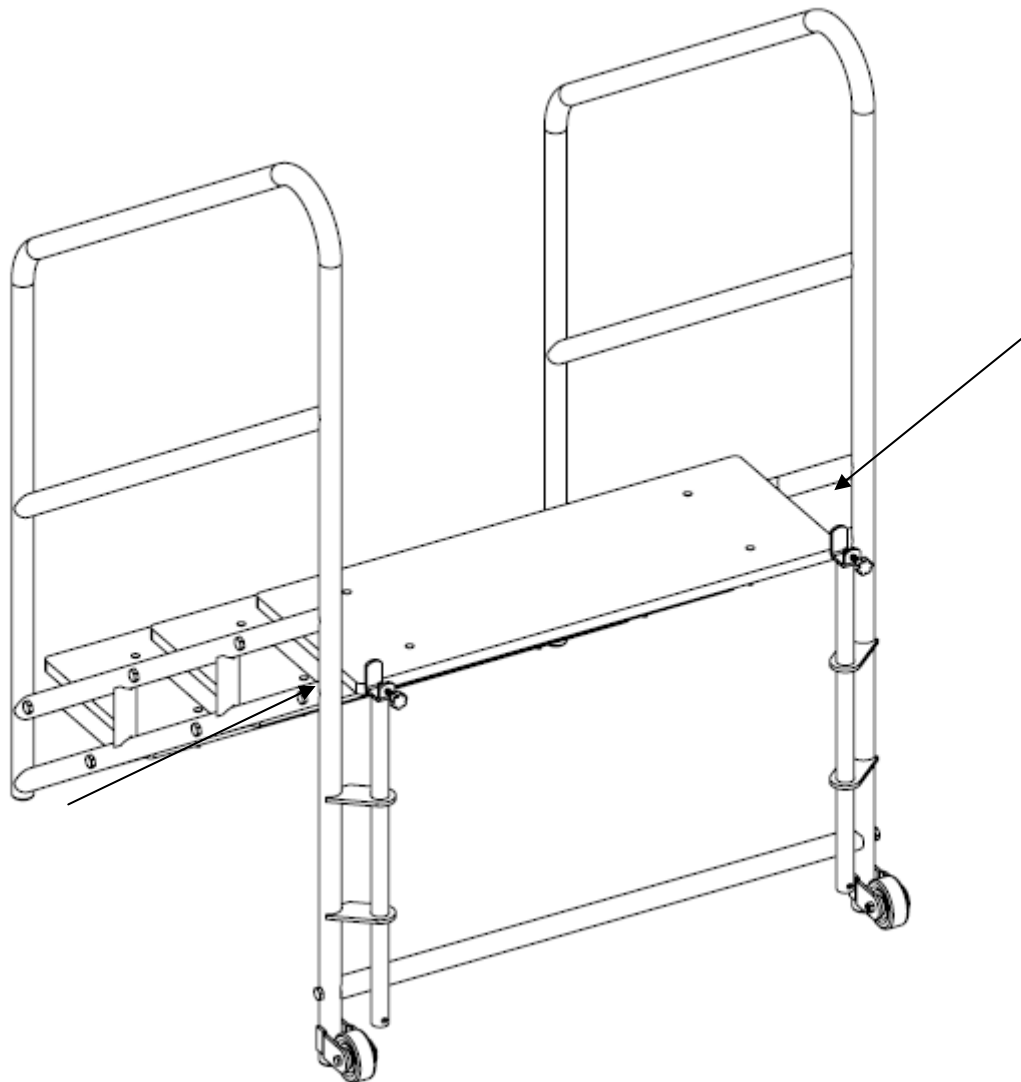




Figure 2

Securing Stairs to Stage

Step 1: Place the steps next to desired location adjacent to the stage (see figure 2).

Step 2: Raise the 2 connector pieces located behind the steps, and anchor onto back of stage apron.

Step 3: Use the knobs to secure the connector brackets to the stage (see figure 2B).

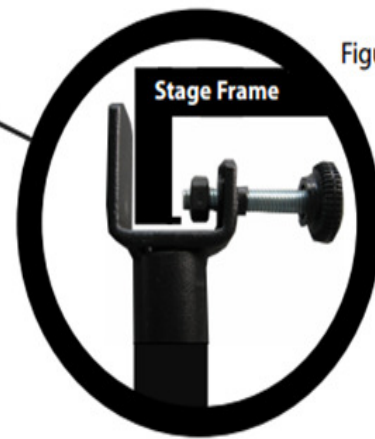


Figure 2B

Dear Customer,

Thank you for your purchase. Although extreme care goes into the manufacturing and packaging of this product, mistakes are possible. If you encounter any missing parts or difficulty in assembly, please call our customer service **TOLL FREE at 1-800-261-4112** for a courteous and immediate resolution to your problem.