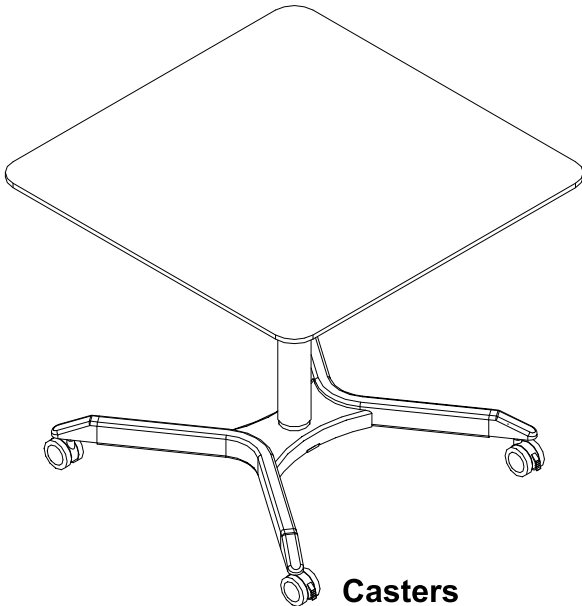


# LUXOR

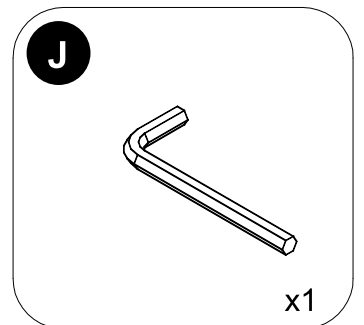
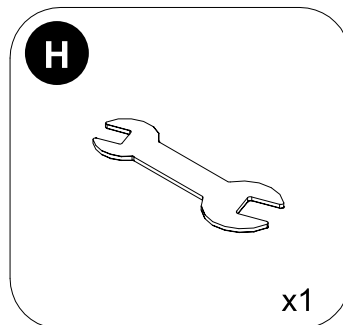
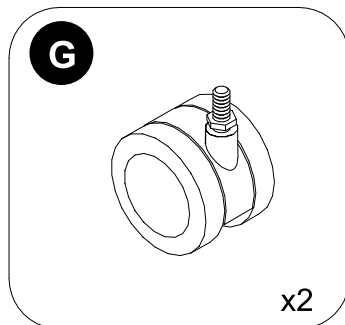
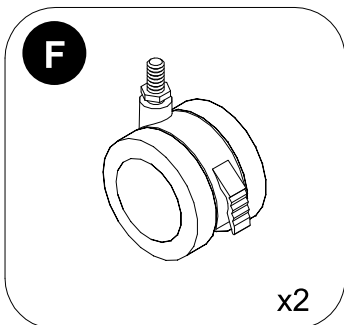
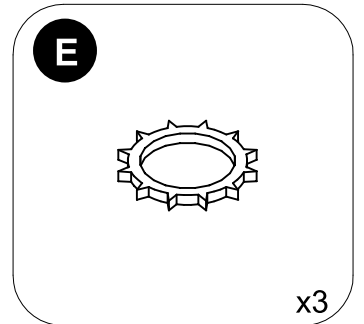
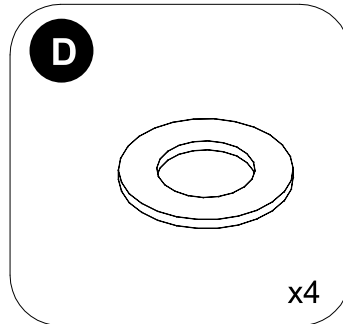
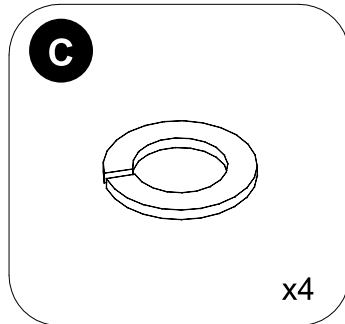
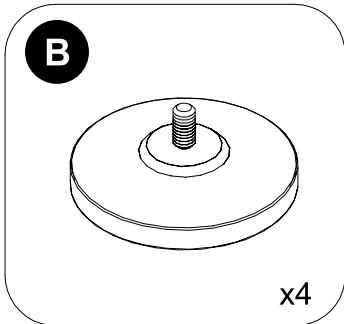
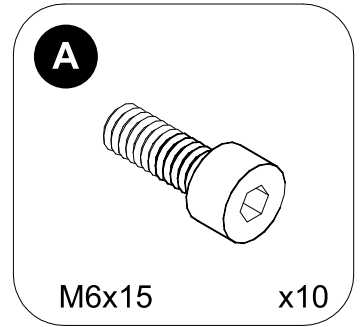
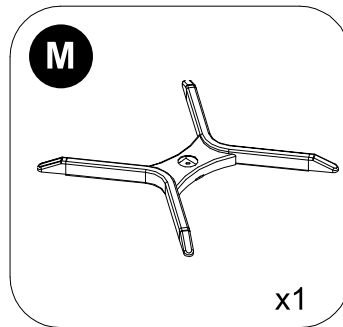
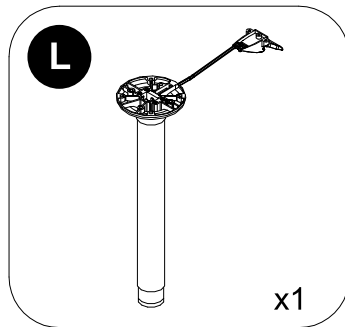
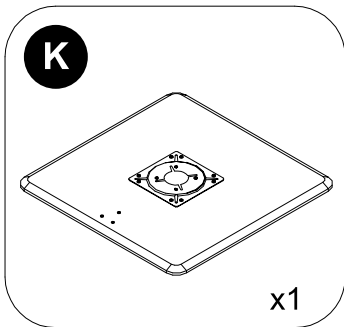
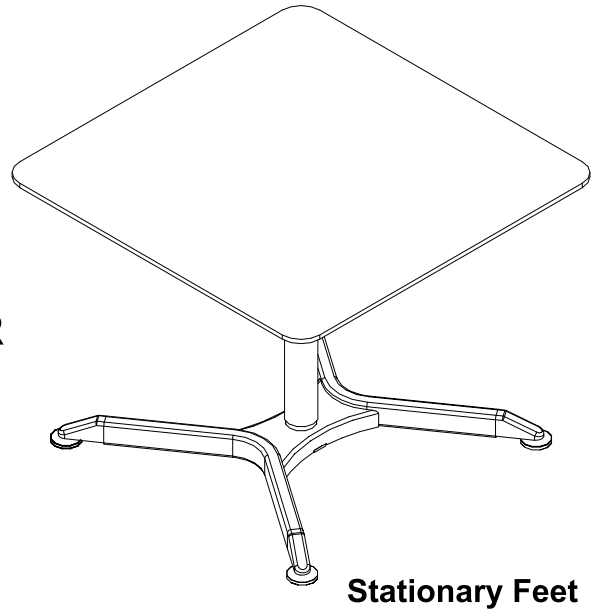
INNOVATIVE WORKSPACE PRODUCT SOLUTIONS

Pneumatic Height Adjustable Circular Table

## LX-PNADJ-SQ

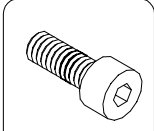


OR



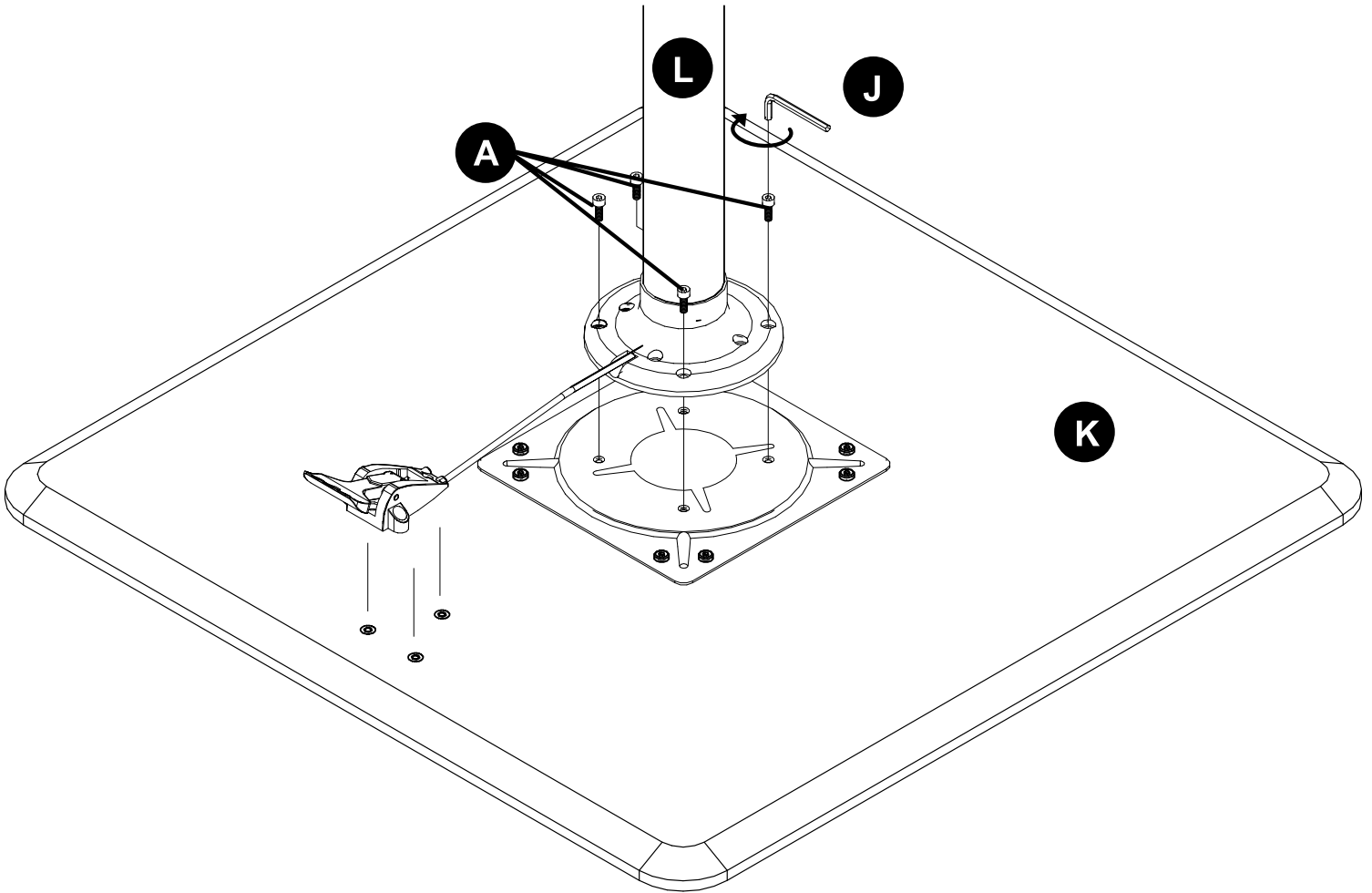
1

Lay Tabletop K on a clean stable flat surface. Take Center Pneumatic Pole L and lay the top (top side has the pneumatic hand lever) onto Tabletop K so that the holes match up for the Center Pneumatic Pole and the Pneumatic Handle as shown below.

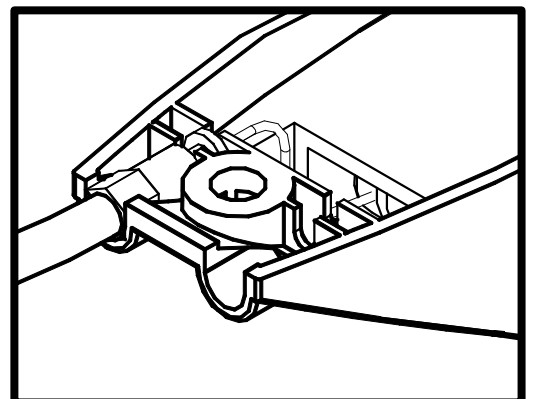
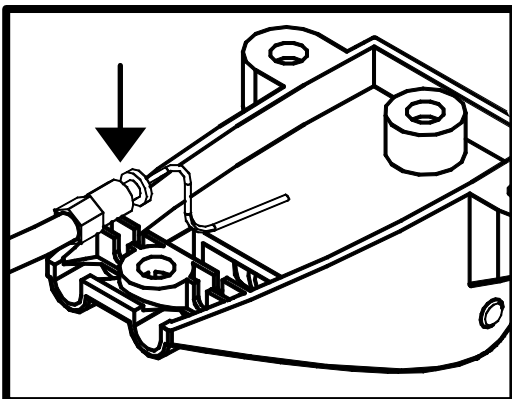


A X4

Use Allen Wrench J to secure the center of Part L to Part K using four of Screw A.



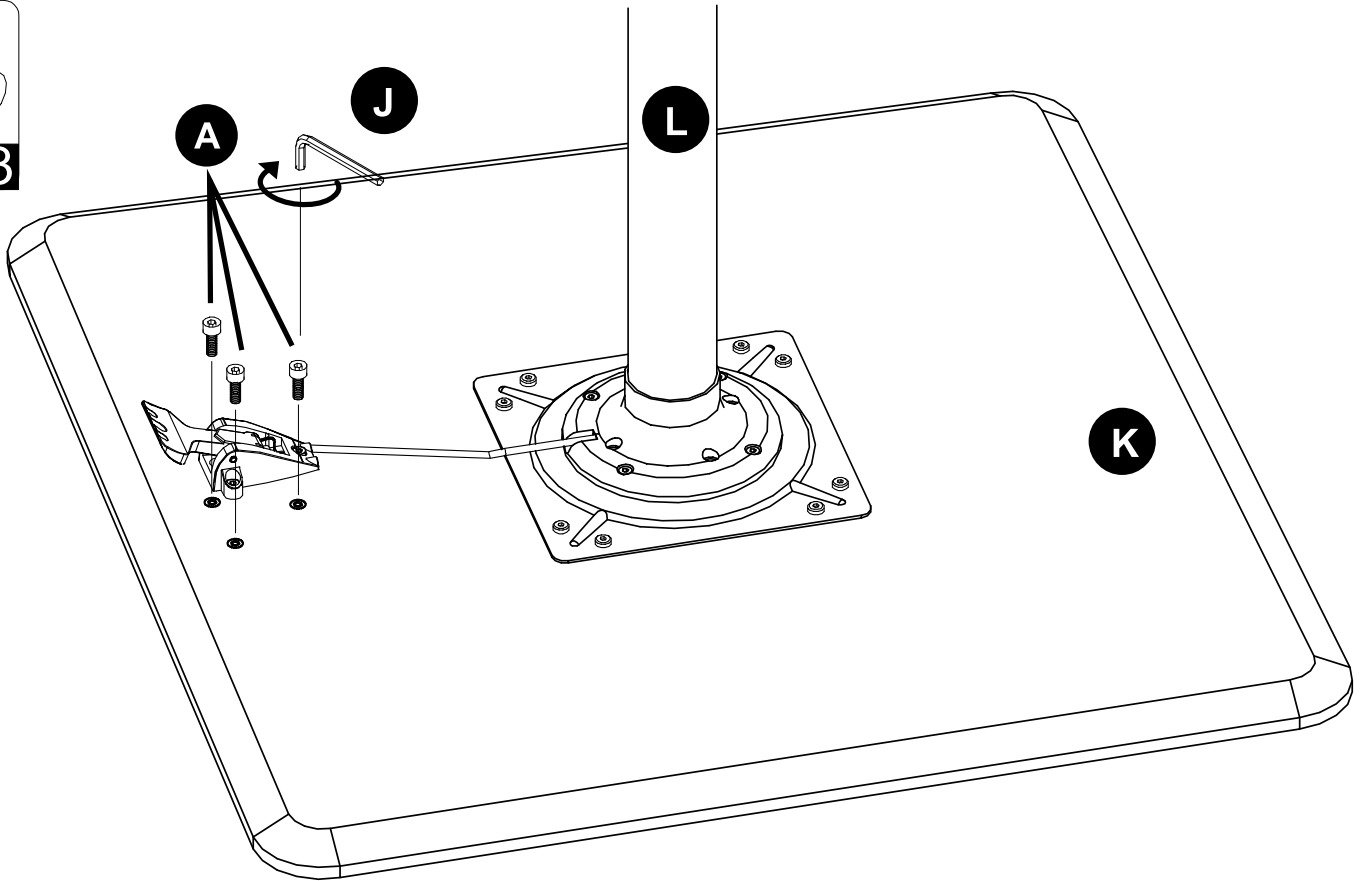
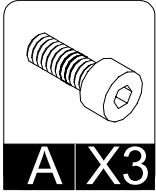
**NOTE:** Before securing the Pneumatic Handle in the next step, make sure that the connector cord is snapped into the bottom of the Pneumatic Hand Lever as shown. This ensures it will work properly when assembled.



2/5

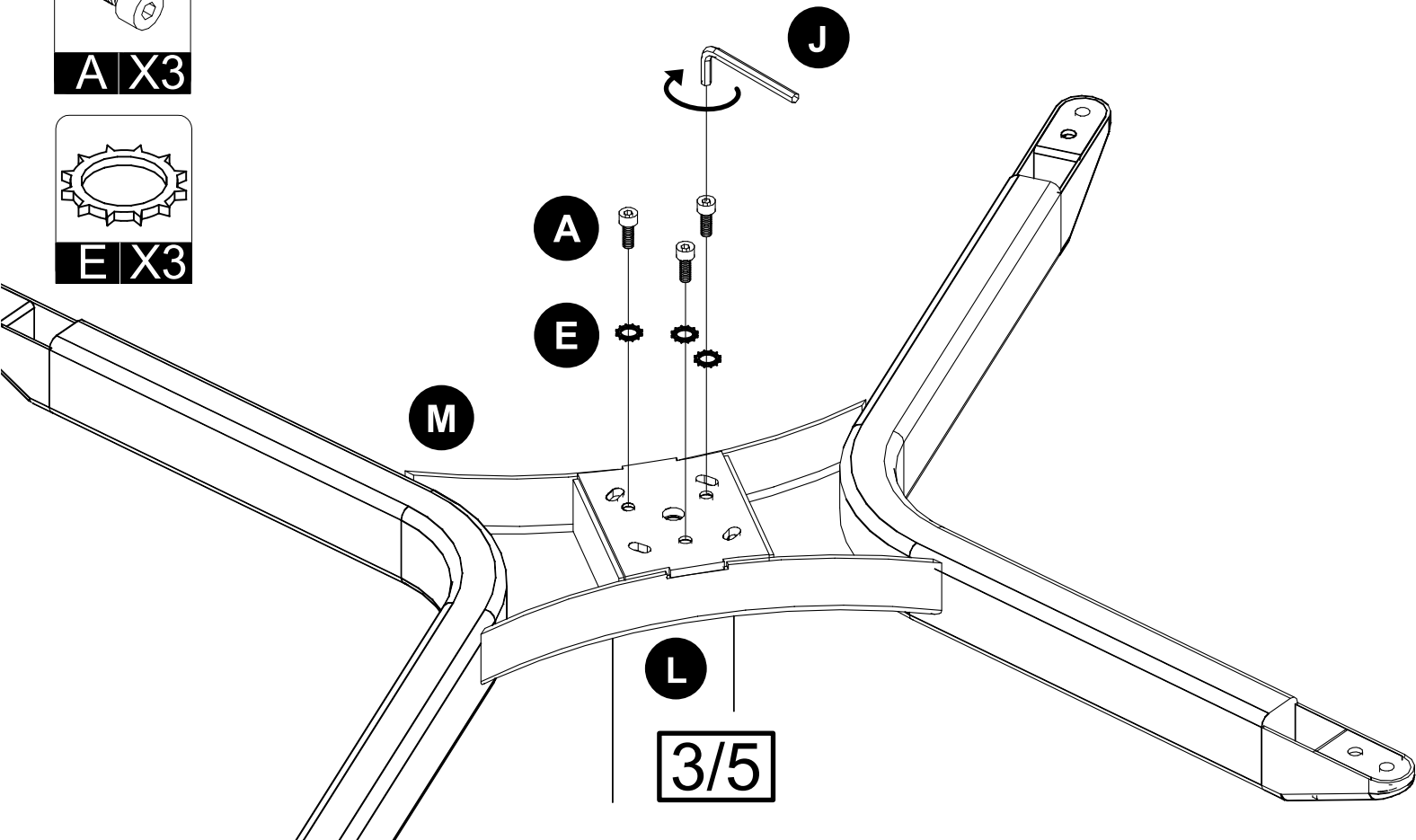
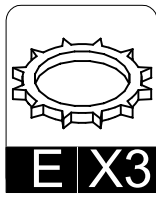
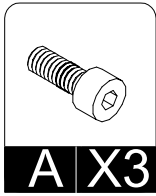
2

Use Allen Wrench J to finish securing the Pneumatic Handle onto Tabletop K using three of Screw A.



3

Lay Base M upside down onto the bottom of Part L lining up the holes. Lay External Tooth Lock Washer E over the three holes as shown below. Insert Screw A into the three holes making sure Part E is between the base and the screw. Secure with Allen Wrench J.



3/5

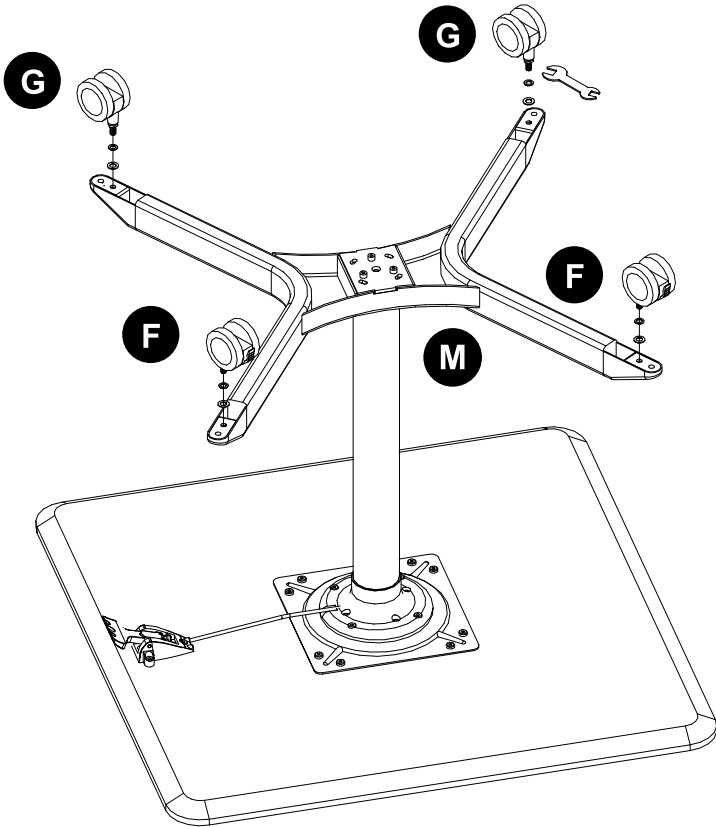
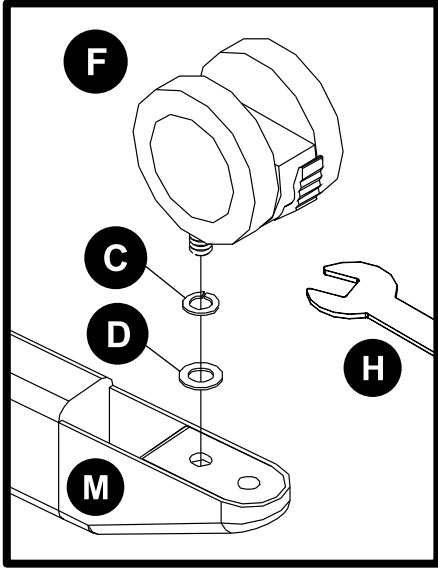
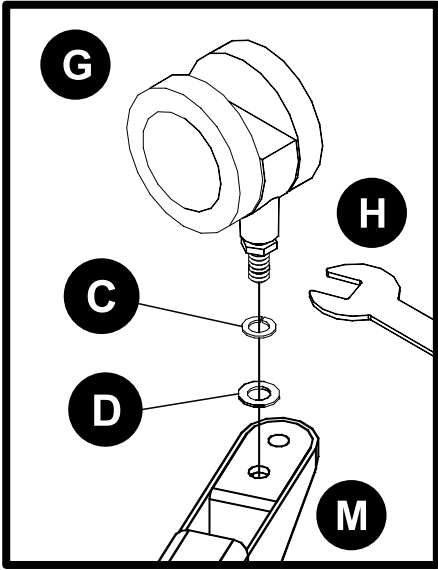
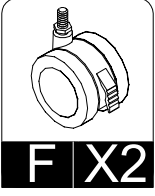
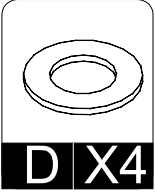
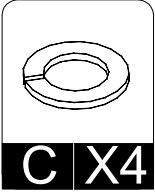
4

Choose either the **Casters** or **Stationary Feet** to finish your table. If you chose **Casters**, please follow **Step 5**. If you chose the **Stationary Feet**, please follow **step 6**.

5

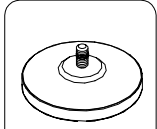
To attach the **Casters** to your table, start by taking **Parts C, D and G**. Note that **Caster F** has locks so it is suggested that you put them towards whichever side you would like to be the front for easier locking.

Start by taking **Split Washer C** and placing it over the screw on **Caster G**. Once **Split Washer C** is on the **Caster**, place **Washer D** on top of that. Then put the **Caster** into the inner hole on **Base M**. Secure with **Wrench H**. Repeat with all remaining **Casters**.



**6**

To attach **Stationary Feet** to finish your table, get **Part B**. Place **Part B** into the outer hole on **Base M** as shown below. Use your hand to tighten **Part B** until secure.



**B X4**

