

# Spec Sheet: Shapes Desks

## Product Specifications

**Model # Small: 11XX6X-XXXX\***  
**# Large: 11XX5X-XXXX\***

### Optional Accessories:

Pair of casters are available #66654  
 Steel wire frame 2 sided book box  
 Rack Hook #66667

### Materials:

Tops are 1 1/4" thick, 45-55 lb. MDF and finished with any of a variety of HPL and T-Mold Edge banding options. The top plate is 12 gauge steel, welded to 14 gauge 1 1/2" round tube to comprise the upper portion of the leg. A 1 1/4" tube of 16 gauge steel with a nylon glide is inserted as the lower leg and bolted at the desired height to complete the assembly. The desk has an option of choosing inserts or wood screws for mounting the legs to the top. Upper leg available in black or platinum powder coat finish. Lower leg comes in chrome finish with nylon glides.

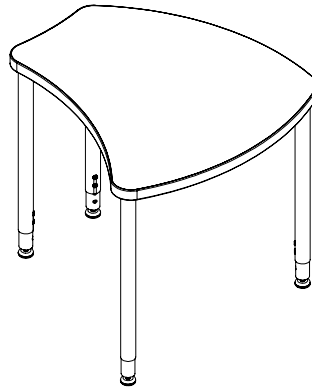
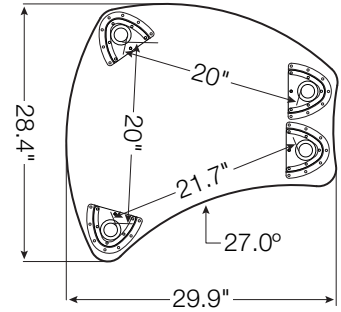
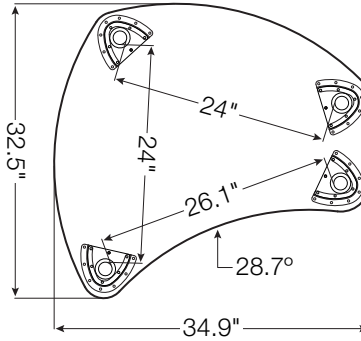
### Assembled Dimensions:

Large Desk: 22" - 32"H x 34.9"W x 32.5"D  
 Small Desk: 22" - 32"H x 29.9"W x 28.4"D  
 Leg Set Box - 26" x 26" x 5"  
 Box w/Pre-drilled top - 30" x 30" x 3"

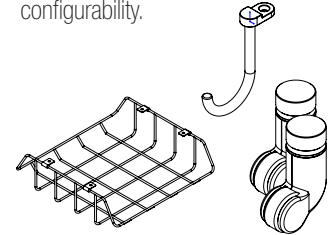
**Freight Large:** 2 Boxes  
 Weight: 55 Lbs.  
 Freight Class: 85

**Freight Small:** 2 Boxes  
 Weight: 39 Lbs.  
 Freight Class: 85

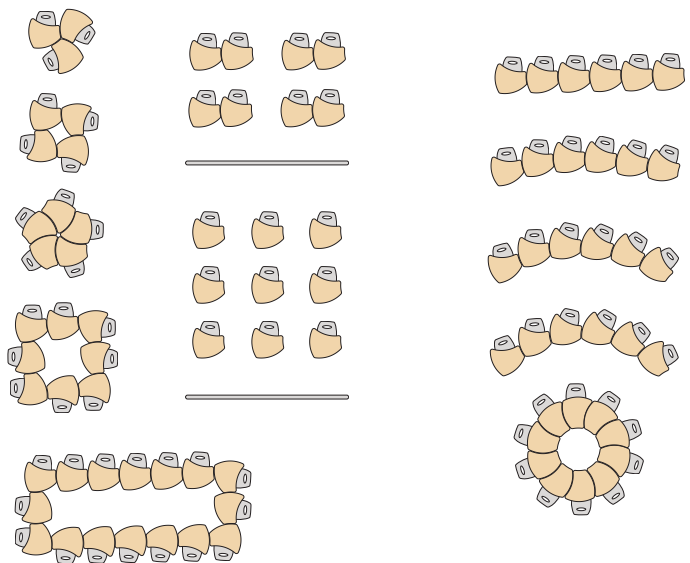
Product is UPSable



Top available in two sizes, each with identical radius curves to maximize configurability.



Two sided wire frame book box, backpack hook and casters.



### Laminate Colors:

Amber Cherry, Nepal Teak, Castle Oak, Fusion Maple, Gray Nebula, Graphite Nebula. Custom Colors Available.

### Edge Colors:

Platinum, Black, Custom Colors Available.

For more information or ordering, call 800.749.2258 or visit [moorecoinc.com](http://moorecoinc.com)