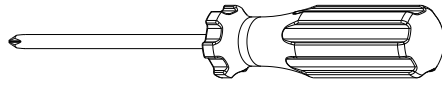


Tools required

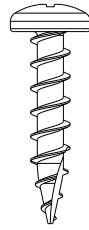


#3 Phillips Screwdriver

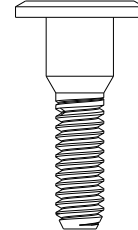


Hex Key (Included)

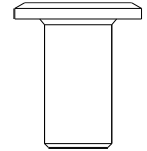
Hardware (Included)



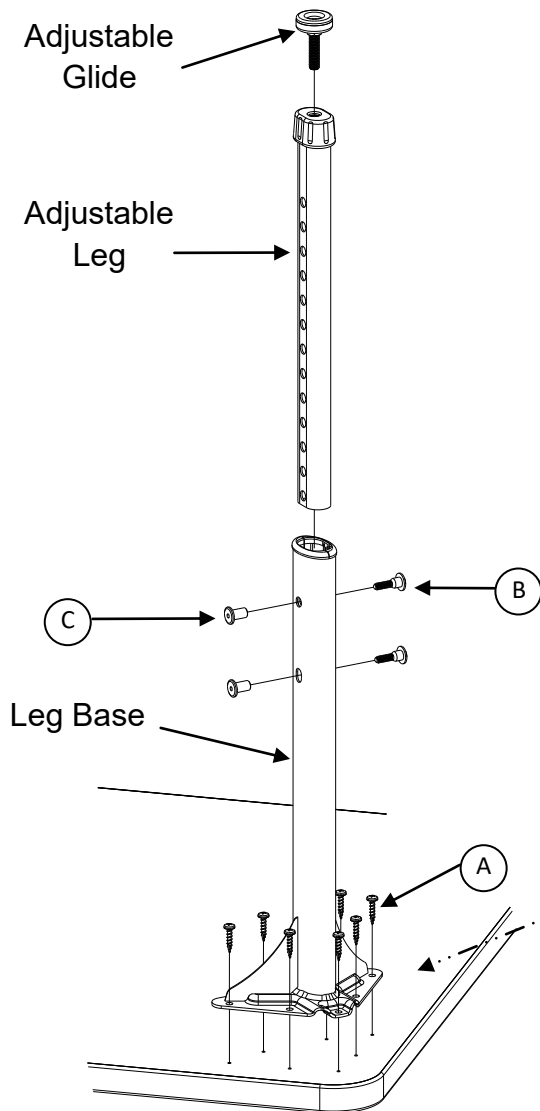
#12 x 1" Screw



1/4"-20 Bolt



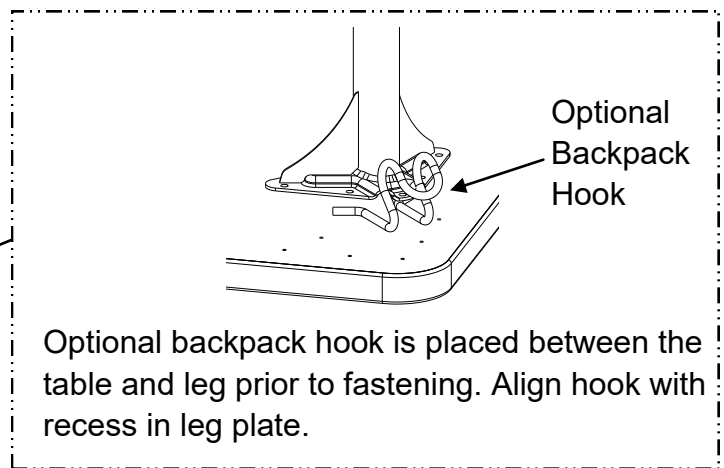
1/4"-20 Cap Nut



1. Locate pre-drilled leg pilot holes in table and position leg so that all holes are aligned.

Optional backpack hook: The backpack hook must be installed prior to fastening the leg to tabletop as shown below.

2. Fasten Leg Base to table with (7) screws "A".
3. Repeat for remaining Leg Bases.
4. Insert Adjustable Leg into Leg Base at desired height and attach with (2) Bolts "B" and (2) Cap Nuts "C". Tighten with hex key wrench.
5. Repeat for remaining legs.
6. Screw in Adjustable Glide to each leg.



Marco Group, Inc.
5400 Doniphan Dr.
Neosho, MO 64850
www.marcogroupinc.com

Customer Service Hours:
Monday-Friday 8:30am to 4:30pm CST
(Except holidays)
Toll-Free 888-627-2601
CustomerService@marcogroupinc.com

417-455-9663 - Phone
417-455-0057 - Fax