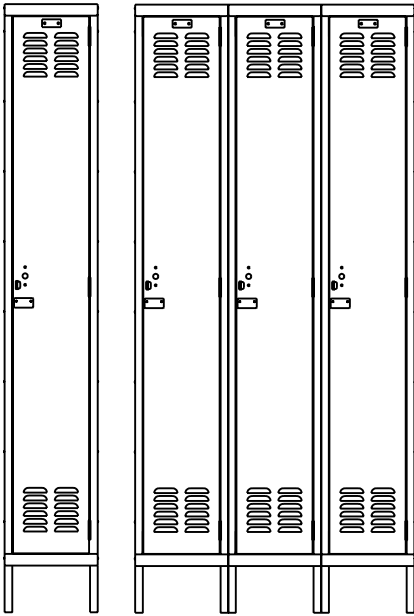
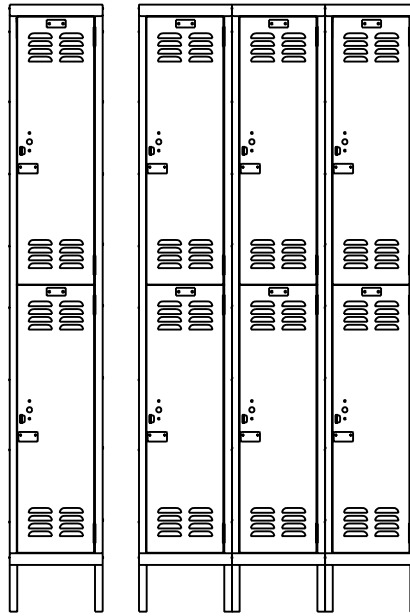


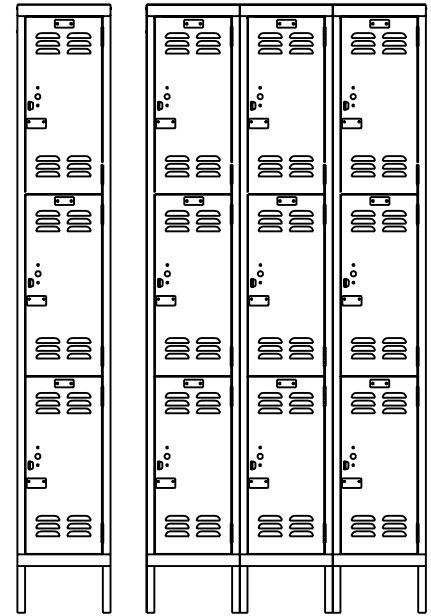
# VALUEMAX™ K.D. WARDROBE STOCK LOCKER ASSEMBLY INSTRUCTIONS



1 WIDE      3 WIDE  
SINGLE TIER



1 WIDE      3 WIDE  
DOUBLE TIER



1 WIDE      3 WIDE  
TRIPLE TIER

## General Instructions

1. Check material received against the packing list. First check the number of packages received and then check the contents of each package.
2. Check material received for damage. If damage has occurred, secure a "damage notation" from the carrier.
3. Identify each part as it is unpacked and put like parts together as close as possible to the working area in which they are to be assembled.
4. Be careful to use the correct hardware as specified in the assembly instructions.
5. Items with suffix (xx) are available options.

## CAUTION

IN THE INTEREST OF SAFETY, ALL LOCKERS MUST BE SECURELY ANCHORED TO THE FLOOR AND/OR WALL.  
FOR SAFETY, HANDLE ALL COMPONENTS CAREFULLY AND WEAR WORK-GLOVES WHEN ASSEMBLING LOCKERS.

INSTALL ALL UNITS PLUMB AND TIGHTEN ALL HARDWARE SECURELY.

RETAIN INSTRUCTIONS FOR FUTURE REFERENCE.



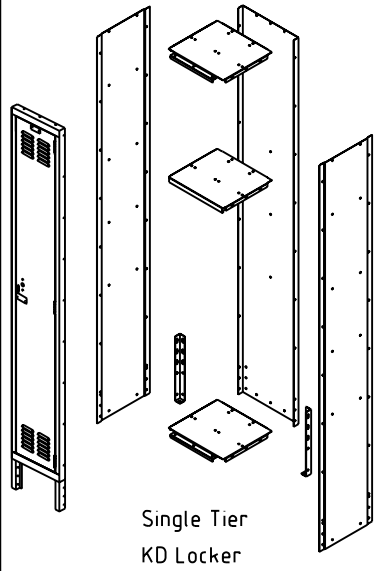
2823 W. Orange Ave.  
Apopka, FL 32703

Phone (866) 566-0500  
Fax (407) 464-3610

[www.Hallowell-List.com](http://www.Hallowell-List.com)

# VALUEMAX™ K.D. WARDROBE STOCK LOCKER ASSEMBLY INSTRUCTIONS

## PACKAGE CONTENTS

REF. NO.	DESCRIPTION	PART NO.	1-WIDE QUANTITY			3-WIDE QUANTITY			
			1-TIER	2-TIER	3-TIER	1-TIER	2-TIER	3-TIER	
①	REAR PANEL	KRwwhh	1	1	1	3	3	3	 <p>Single Tier KD Locker</p>
②	RIGHT/LEFT SIDE PANEL	KPddhh	2	2	2	4	4	4	
③	TOP/BOTTOM SHELF	KSwwdd	2	2	2	6	6	6	
④	HAT SHELF	KHwwdd	1	1	2	3	3	6	
⑤	SINGLE CEILING HOOK	H5K	2	4	-	6	12	-	
⑥	DOUBLE CEILING HOOK	H7K	1	2	3	3	6	9	
**⑦	COAT ROD BRACKET	**TRH 200	**2	**4	-	**6	**12	-	
**⑧	COAT ROD	**KCR	**1	**2	-	**3	**6	-	
⑨	DOOR FRAME ASSEMBLY	KDFwwhh-tFP	1	1	1	3	3	3	
×⑩	DOOR	KDwwhh-tFP	1	2	3	3	6	9	
⑪	NUMBER PLATE	NPH	1	2	3	3	6	9	
⑫	NUMBER PLATE RIVET	RV101	2	4	6	6	12	18	
⑬	3/8" SLOTLESS BOLT	MBT200	62	74	70	134	166	188	
⑭	HEX NUT	N201	60	70	64	128	154	170	
⑮	HI-DOME CAP NUT	N110	2	4	6	6	12	18	
⑯	BOX DOOR LATCH PULL	KBLP100	1	2	3	3	6	9	
**⑰	STRIKE PLATE	**SP100	1	2	3	3	6	9	
⑱	REAR LEG	KLG	2	2	2	2	2	2	
×⑲	BUMPER	KDB300	3	4	6	9	12	18	
×⑳	RIVET (HINGE)	RV102	6	8	12	18	24	36	

PART NUMBER SUFFIX SHOWS WIDTH, DEPTH, HEIGHT AND TIER. CUSTOMER TO SPECIFY.

### NOTE:

FOR OPTIONAL INDIVIDUAL SLOPE TOPS,  
SEE SUPPLEMENTAL INSTRUCTION SHEET NO. ASY-H-KIST-A

FOR OPTIONAL 6" HIGH CLOSED METAL BASE,  
SEE SUPPLEMENTAL INSTRUCTION SHEET NO. ASY-H-KIST-B

- × SHIPS PRE-HUNG IN DOOR FRAME ASSEMBLY ⑨
- \*\* OPTIONAL ITEM

### PART NO. LEGEND:

ww = WIDTH  
dd = DEPTH  
hh = HEIGHT (FRAME)  
t = TIER

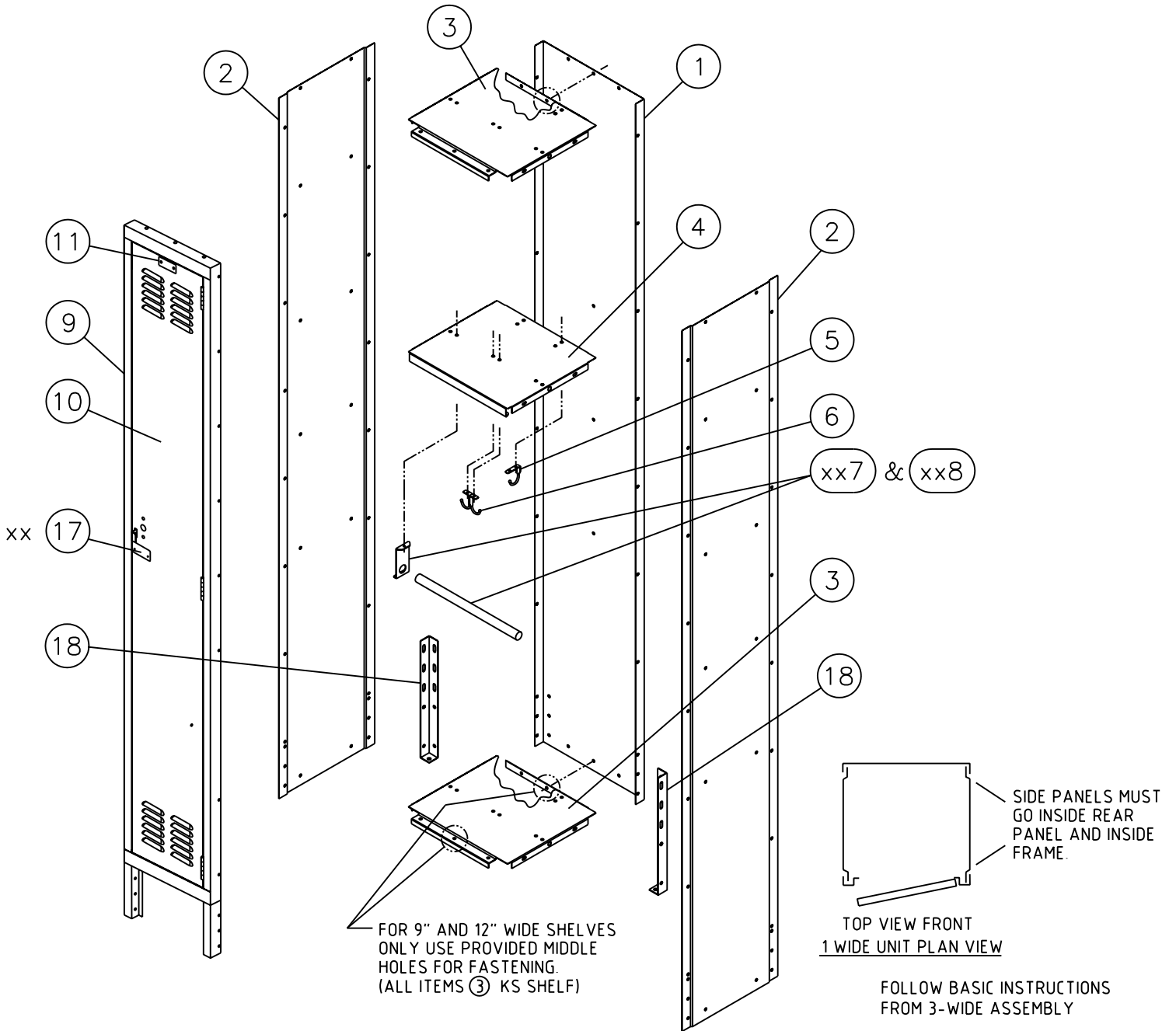
**TOOLS REQUIRED: 3/8" NUT DRIVER (3/8" SOCKET MAY BE SUBSTITUTED)**

## TWO-YEAR WARRANTY

HALLOWELL K.D. LOCKERS ARE COVERED AGAINST ALL DEFECTS IN MATERIALS AND WORKMANSHIP EXCLUDING FINISH, DAMAGE RESULTING FROM DELIBERATE DESTRUCTION AND VANDALISM FOR A PERIOD OF TWO YEARS.



# VALUEMAX™ K.D. WARDROBE STOCK LOCKER ASSEMBLY INSTRUCTIONS



xx - OPTIONAL ITEMS

HALLOWELL MAKES EVERY EFFORT TO ENSURE THAT ALL UNITS SHIP COMPLETE; HOWEVER, SHOULD YOUR UNIT CONTAIN MISSING OR DAMAGED PARTS, REPLACEMENTS MAY BE OBTAINED FROM HALLOWELL. TO OBTAIN PARTS, FOLLOW THESE INSTRUCTIONS.

## PLEASE PROVIDE THE FOLLOW INFORMATION:

MODEL NUMBER

DESCRIPTION OF PART(S) NEEDED & PART NUMBER(S) AS SHOWN IN PARTS LIST

COLOR

PURCHASE DATE

COMPANY NAME & CONTACT PERSON

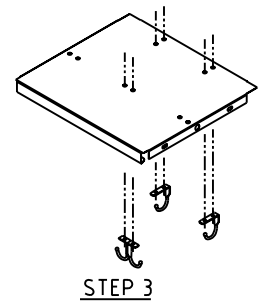
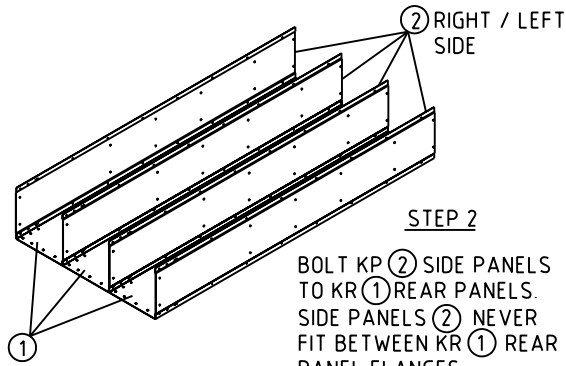
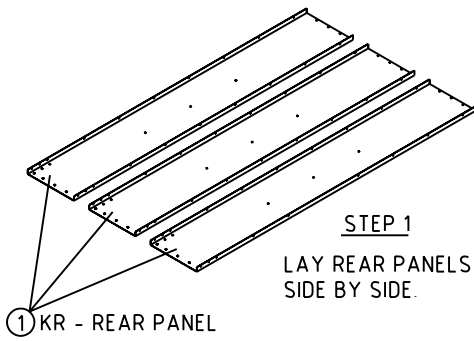
WHERE THE PRODUCT WAS PURCHASED FROM

IF REQUESTING PARTS BY TELEPHONE, ASK FOR CUSTOMER SERVICE & PROVIDE THE ABOVE INFORMATION.

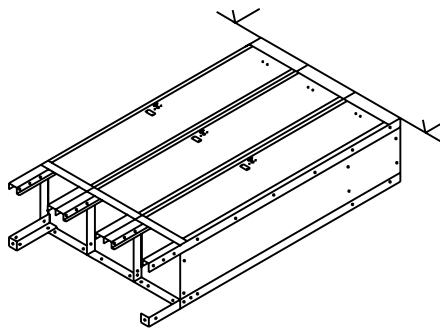
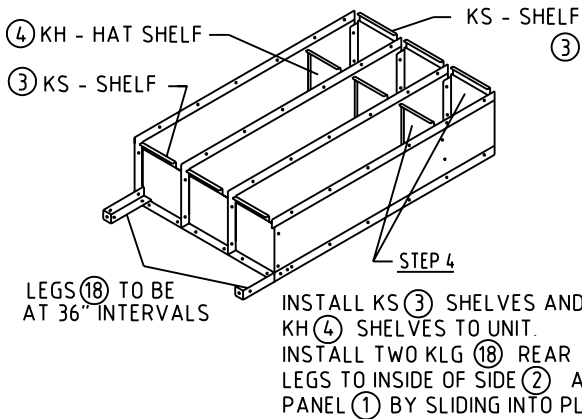


# VALUEMAX™ K.D. WARDROBE STOCK LOCKER ASSEMBLY INSTRUCTIONS

(A GROUPING OF 3-WIDE SINGLE TIER LOCKERS ILLUSTRATED)

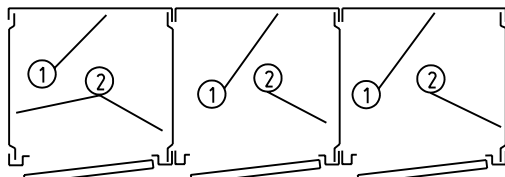


INSTALL DOUBLE CEILING  
HOOK (H7K) ⑥ AND SINGLE  
CEILING HOOKS (H5K) ⑤  
TO (KH) ④ HAT SHELF.



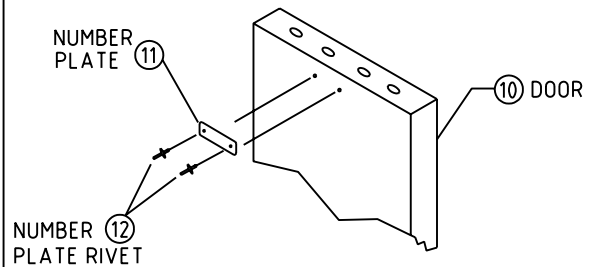
BOLT DOOR AND FRAME ⑨ ASSEMBLIES  
TO KS ③ SHELVES AND KP ② SIDE  
PANELS. STAND UNIT UP AND ALIGN  
LOCKER TOPS EVENLY. TIGHTEN ALL  
BOLTS AND NUTS.  
NOTE: WHEN BOLTING ONE UNIT TO  
ANOTHER, OMIT ONE SET OF BOLTS  
IN END FRAME AND SIDE TO MINIMIZE  
GROWTH FROM BOLT HEADS.

ASSEMBLY OF SINGLE ROW LOCKERS  
NEVER PUT SIDE PANELS BETWEEN  
FRAMES OR REAR PANELS.



SINGLE TIER EXAMPLE - 3 WIDE UNIT PLAN VIEW

SIDE PANELS MUST  
GO INSIDE REAR  
PANEL AND INSIDE  
FRAME.

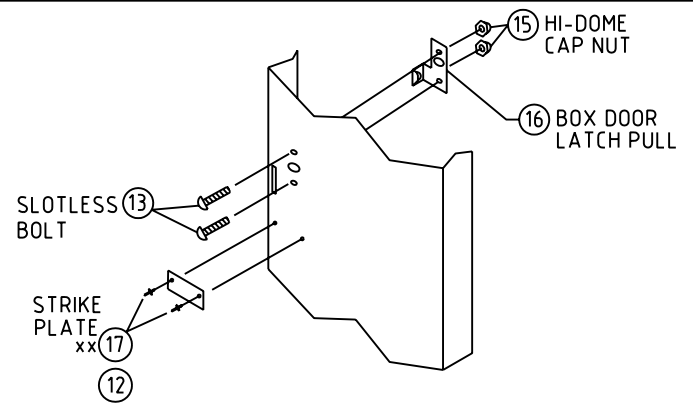
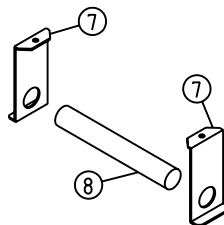


ASSEMBLY OF NUMBER PLATE

### OPTIONAL COAT ROD

BRACKETS TO BE BOLTED TO UNDERSIDE  
OF HAT SHELF WITH COAT ROD IN BETWEEN.

- xx ⑦ COAT ROD BRACKETS (xxTRH 200)
- xx ⑧ COAT ROD (xxKCRww)



ASSEMBLY OF STRIKE PLATE & LATCH PULL

⑥ DOUBLE CEILING HOOK (H7K)  
TO BE BOLTED TO  
UNDERSIDE OF HAT SHELF.

⑤ SINGLE CEILING HOOK (H5K)  
TO BE BOLTED TO  
UNDERSIDE OF HAT SHELF.

