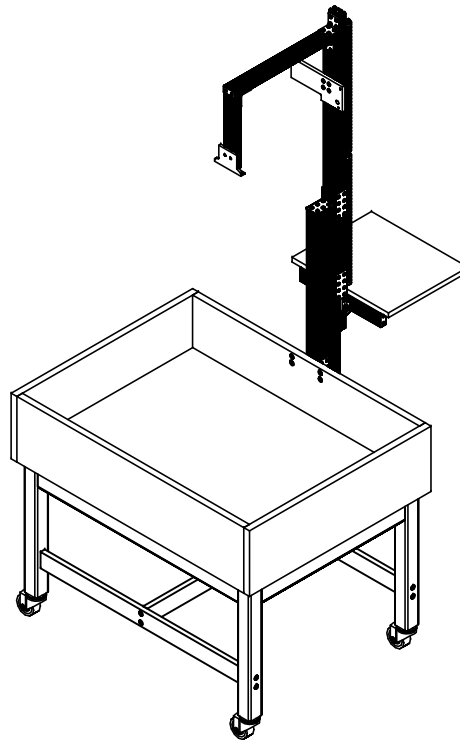


AUGMENTED REALITY SANDBOX

ARS-4030

ASSEMBLY INSTRUCTIONS



NOTE:

1. MODEL VIEWS MAY NOT REPRESENT EXACT MODEL PURCHASED

| | | | |
|---------|-----|-----------|----------|
| DWN BY: | EMK | DWN DATE: | 12/22/16 |
| APR BY: | | DATE APR: | |
| APR BY: | | DATE APR: | |

UNLESS OTHERWISE SPECIFIED
DIMENSION ARE IN INCHES

CABINET SQUARENESS ± .0625
FRACTIONAL VALUES ± 1/32"
- ALL VALUES ± OVERALL -



300 South Krueger Street
Suring, WI 54174
diversifiedwoodcrafts.com

TITLE:
AUGMENTED REALITY SANDBOX
ASSEMBLY INSTRUCTIONS

| REV. | DESCRIPTION | DATE | NAME | ECN NO. |
|------|-----------------|----------|------|---------|
| A | CREATED DRAWING | 12/22/16 | EMK | - |
| | | | | |
| | | | | |

REVISION LEVEL

THIS DRAWING IS THE SOLE PROPERTY OF
DIVERSIFIED WOOD CRAFTS. IT MAY NOT
BE ALTERED OR CHANGED WITHOUT
PERMISSION

DRAWING NUMBER:

ARS-4030

SCALE:

NTS

SHEET:

1 OF 8

REVISION:

REV A

PALLET CONTENTS

| ITEMS INCLUDED | PART # | PART DESCRIPTION | QTY |
|-----------------------------------|--------|---|---------|
| SANDBOX ASSEMBLY | N/A | SANDBOX ASSEMBLY (FACTORY ASSEMBLED) | 1 |
| APRON ASSEMBLY | N/A | APRON ASSEMBLY (FACTORY ASSEMBLED) | 1 |
| ALUMINUM EXTRUSION ASSEMBLY 1 | N/A | ALUMINUM EXTRUSION ASSEMBLY 1 (FACTORY ASSEMBLED) | 1 |
| ALUMINUM EXTRUSION ASSEMBLY 2 | N/A | ALUMINUM EXTRUSION ASSEMBLY 2 (FACTORY ASSEMBLED) | 1 |
| STRETCHER | N/A | STRETCHER - 0.75"THK X 2.50"W X 26.88"L | 1 |
| BRACE | N/A | BRACE - 0.75"THK X 2.50"W X 35.38"L | 2 |
| LAPTOP SHELF W/ HARDWARE ATTACHED | N/A | LAPTOP SHELF - 0.75"THK X 14.00"W X 17.00"L | 1 |
| *LEGS* - SEE NOTE 1 | 500100 | LEG,OAK 2.25X2.25X28.25 | 4 |
| *WASHERS* - SEE NOTE 1 | 100039 | WASHER,SPLIT LOCK 5/16 | 4 |
| *HEX NUTS* - SEE NOTE 1 | 100044 | NUT,HEX 5/16-18 STEEL ZINC | 4 |
| *CASTERS* - SEE NOTE 1 | 247870 | CASTER,3IN,SWIVEL,3/8 DIA STEM | 4 |
| *CONFIRMATS - STRETCHER* | 228564 | SCREW,7MMX50MM,CONN,ALLENHEAD, BLACK | 4 |
| *CONFIRMATS - BRACE* | 227578 | SCREW,7MMX90MM,CONN,ALLENHEAD, BLACK | 8 |
| LAPTOP | 252560 | ORYX PRO (ORXP1) LAPTOP | 1 |
| CAMERA/SENSOR BAR | 252554 | XBOX 360 KINECT SENSOR BAR | 1 |
| PROJECTOR | 252555 | BENQ 9H.JE177.13A MX631ST PROJECTOR | 1 |
| HARDWARE BOX | N/A | MISC ITEMS - SEE NEXT PAGE FOR CONTENTS | 1 |
| T-SLOT COVER | 252812 | 10 SERIES T-SLOT COVER, BLACK | 1.34 LF |

NOTE:

- LEGS, WASHERS, HEX NUTS & CASTERS ARE BOXED TOGETHER.

| | |
|-------------|--------------------|
| DWN BY: EMK | DWN DATE: 12/22/16 |
| APR BY: | DATE APR: |
| APR BY: | DATE APR: |

300 South Krueger Street
Suring, WI 54174
diversifiedwoodcrafts.com

UNLESS OTHERWISE SPECIFIED
DIMENSION ARE IN INCHES
DECIMALS: .X = ± .030
.XX = ± .020
.XXX = ± .010
ANGLES: ± 1°0'
CABINET SQUARENESS ± .0625

TITLE:
**AUGMENTED REALITY SANDBOX
PALLET CONTENTS**

| | | | | |
|------|-----------------|----------|------|---------|
| A | CREATED DRAWING | 12/22/16 | EMK | - |
| REV. | DESCRIPTION | DATE | NAME | ECN NO. |

THIS DRAWING IS THE SOLE PROPERTY OF
DIVERSIFIED WOOD CRAFTS. IT MAY NOT
BE ALTERED OR CHANGED WITHOUT
PERMISSION

| | | | |
|------------------------------------|---------------|------------------|--------------------|
| DRAWING NUMBER: ARS 4030 | SCALE: NTS | SHEET: 2 OF 8 | REVISION: REV A |
|------------------------------------|---------------|------------------|--------------------|

HARDWARE BOX PACKING LIST

| ITEMS INCLUDED | PART # | PART DESCRIPTION | QTY | PACKED |
|--|------------|--|-----|--------|
| PROJECTOR MOUNTING BLOCK (SCREWS AND T-NUTS ATTACHED) | 252793 | PROJECTOR MOUNTING BLOCK - 0.50"THK X 3.875"W X 9.00"L | 1 | |
| MOUNTING BLOCK | N/A | MOUNTING BLOCK - 1.75"THK X 2.25"W X 7.00"L | 1 | |
| SCREWS - APRON ASSEMBLY TO SANDBOX ASSEMBLY | 100641 | SCREW, #8X1-3/4 QUAD RD WASH HD | 14 | |
| CONFIRMATS - MOUNTING CLEAT | 252459 | SCREW, 1/4-20X60MM, CONN, ALLENHEAD, BLACK | 4 | |
| CONFIRMATS - SANDBOX | 252460 | SCREW, 1/4-20X20MM, CON, ALLENHEAD, BLK | 4 | |
| JOINT CONNECTING NUT - MOUNTING CLEAT & SANDBOX | 234337-JCN | JOINT CONNECTING NUT, 1/4-20X17MM | 8 | |
| CABLE ADAPTER | 252557 | HDE POWER SUPPLY AC CABLE ADAPTER FOR XBOX KINECT MOTION SENSOR | 1 | |
| CAMERA MOUNT (SCREWS AND T-NUTS ATTACHED) | 252556 | KINECT SENSOR TV MOUNT CLIP | 1 | |
| HDMI CABLE | 252579 | CABLE, HDMI, 6 FEET | 1 | |
| L BRACKET - 8 HOLE | 252561 | 10 SERIES 8 HOLE - INSIDE CORNER BRACKET | 4 | |
| T-NUT - DOUBLE | 252569 | 1/4-20 DOUBLE SLIDE-IN ECONOMY T-NUT | 16 | |
| SCREWS - (FOR L-BRACKETS & T-NUTS) | 252566 | 1/4-20 X 0.500" BUTTON HEAD SOCKET CAP SCREW (BHSCS) | 32 | |

TOOLS REQUIRED

| |
|--|
| 1/2" WRENCH |
| 1/2" SOCKET AND TORQUE WRENCH - OPTIONAL |
| 4MM ALLEN WRENCH (FOR CONFIRMATS) |
| 5MM ALLEN WRENCH (FOR JCN) |
| 5/32" ALLEN WRENCH (FOR 1/4"-20x1/2" SCREWS) |
| 1/8" ALLEN WRENCH (FOR #10-32x3/8" SCREWS) |
| PHILLIPS SCREWDRIVER |

NOTE:

1.

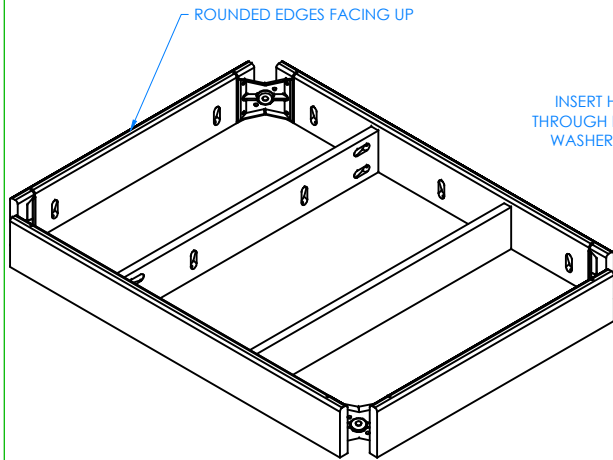
| | |
|-------------|--------------------|
| DWN BY: EMK | DWN DATE: 12/22/16 |
| APR BY: | DATE: |
| APR BY: | DATE: |

300 South Krueger Street
Suring, WI 54174
diversifiedwoodcrafts.com

UNLESS OTHERWISE SPECIFIED
DIMENSION ARE IN INCHES
DECIMALS: .X = ± .030
.XX = ± .020
.XXX = ± .010
ANGLES: ± 1°
CABINET SQUARENESS ± .0625

TITLE:
**AUGMENTED REALITY SANDBOX
HARDWARE BOX PACKING LIST & TOOLS REQUIRED**

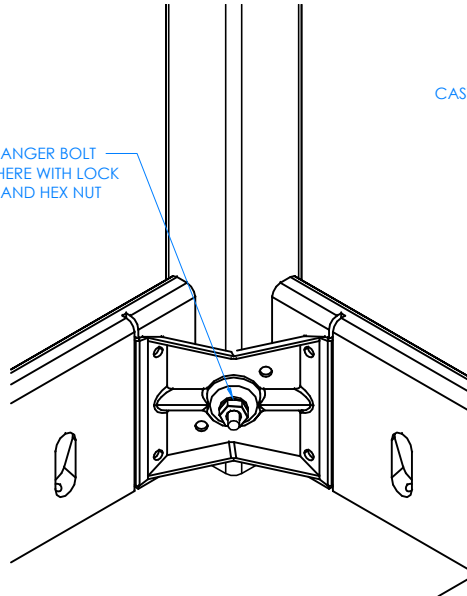
| | | | | | | | | | |
|------|-----------------|----------|------|---------|--|------------------------------------|---------------|------------------|--------------------|
| A | CREATED DRAWING | 12/22/16 | EMK | - | THIS DRAWING IS THE SOLE PROPERTY OF DIVERSIFIED WOOD CRAFTS. IT MAY NOT BE ALTERED OR CHANGED WITHOUT PERMISSION | DRAWING NUMBER: ARS 4030 | SCALE: NTS | SHEET: 3 OF 8 | REVISION: REV A |
| REV. | DESCRIPTION | DATE | NAME | ECN NO. | | | | | |



STEP 1:

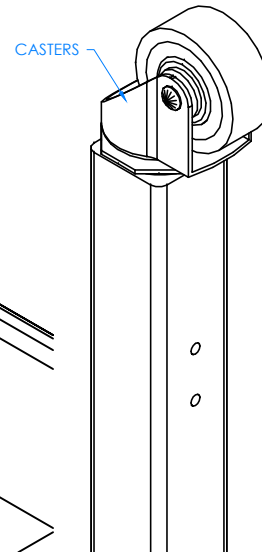
LAY APRON ASSEMBLY ON FLOOR WITH ROUNDED EDGES FACING UP.

INSERT HANGER BOLT THROUGH HERE WITH LOCK WASHER AND HEX NUT



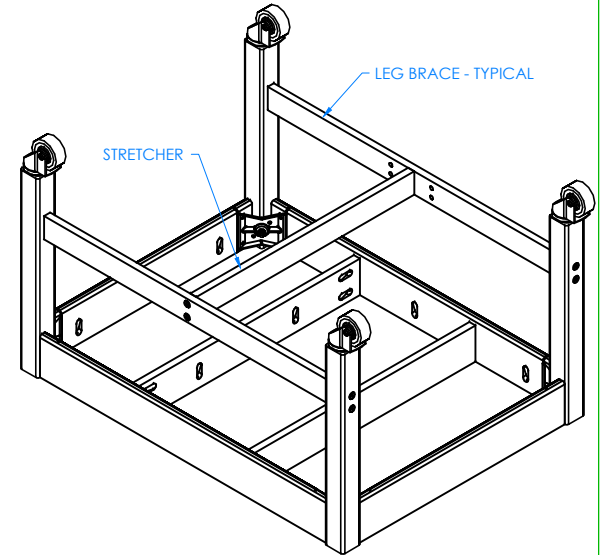
STEP 2:

INSERT HANGER BOLT ON ONE OF THE LEGS THROUGH THE CORNER BRACKET, MAKING SURE THAT THE THRU HOLES RUN PARALLEL TO THE LONG APRONS (SEE STEP 3 FOR CLOSE UP) AND INSERT LOCK WASHER AND HEX NUT. USING A 1/2" WRENCH OR 1/2" SOCKET AND TORQUE WRENCH, SCREW ON THE NUT BUT DO NOT TIGHTEN ALL THE WAY. REPEAT FOR OTHER LEGS.



STEP 3:

ATTACH CASTERS TO BOTTOM OF LEGS.



STEP 4:

USING A 4MM ALLEN WRENCH, INSERT THE CONFIRMATS INTO ONE LEG AND SCREW INTO BRACE. REPEAT ON OTHER LEGS. MAKE SURE BRACES ARE STRAIGHT AND ALL CONFIRMATS ARE TIGHT. ATTACH STRETCHER TO CENTER OF BRACES USING THE CONFIRMATS PROVIDED. GO BACK TO STEP 2 AND TIGHTEN UP THE HANGER BOLTS FOR EACH LEG USING A 1/2" WRENCH OR 1/2" SOCKET AND TORQUE WRENCH, TO A MINIMUM OF 12FT LBS BUT NOT TO EXCEED 17FT LBS.

NOTE:

1.

| | | | |
|---------|-----|-----------|----------|
| DWN BY: | EMK | DWN DATE: | 12/22/16 |
| APR BY: | | DATE APR: | |
| APR BY: | | DATE APR: | |



300 South Krueger Street
Suring, WI 54174
diversifiedwoodcrafts.com

UNLESS OTHERWISE SPECIFIED
DIMENSION ARE IN INCHES

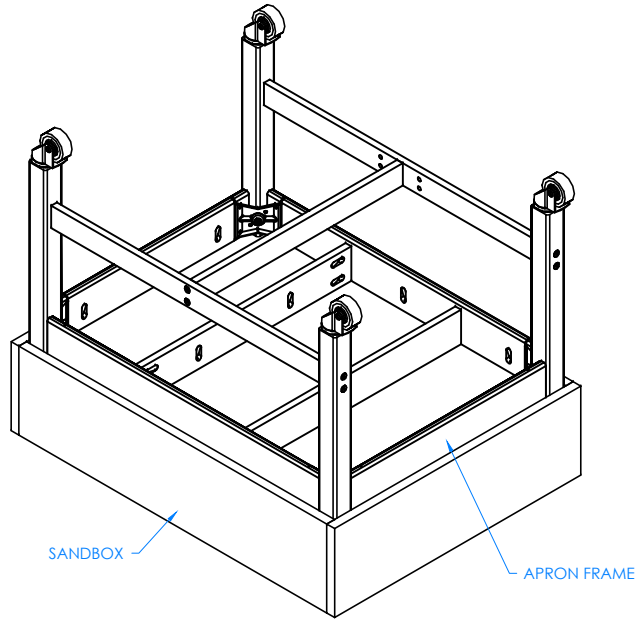
CABINET SQUARENESS ± .0625
FRACTIONAL VALUES ± 1/32"
- ALL VALUES ± OVERALL -

THIS DRAWING IS THE SOLE PROPERTY OF
DIVERSIFIED WOOD CRAFTS. IT MAY NOT
BE ALTERED OR CHANGED WITHOUT
PERMISSION

TITLE:
AUGMENTED REALITY SANDBOX
ASSEMBLY INSTRUCTIONS

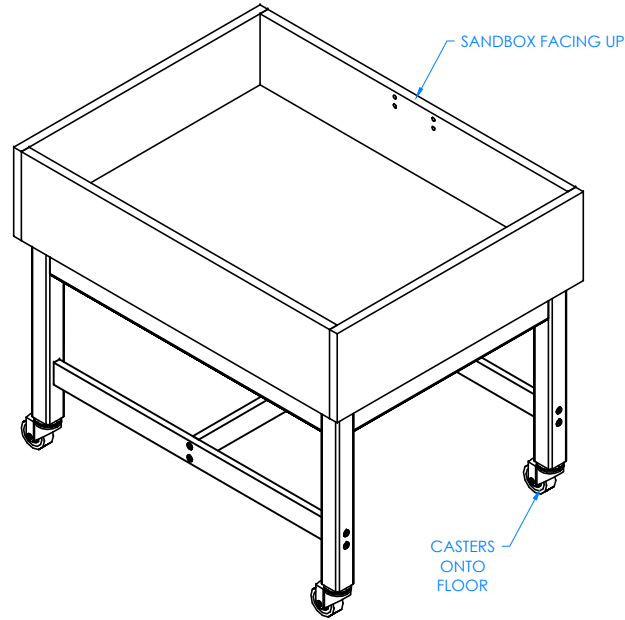
| A | CREATED DRAWING | 12/22/16 | EMK | - |
|----------------|-----------------|----------|------|---------|
| REV. | DESCRIPTION | DATE | NAME | ECH NO. |
| REVISION LEVEL | | | | |

| | | | | | | | |
|-----------------|----------|--------|-----|--------|--------|-----------|-------|
| DRAWING NUMBER: | ARS-4030 | SCALE: | NTS | SHEET: | 4 OF 8 | REVISION: | REV A |
|-----------------|----------|--------|-----|--------|--------|-----------|-------|



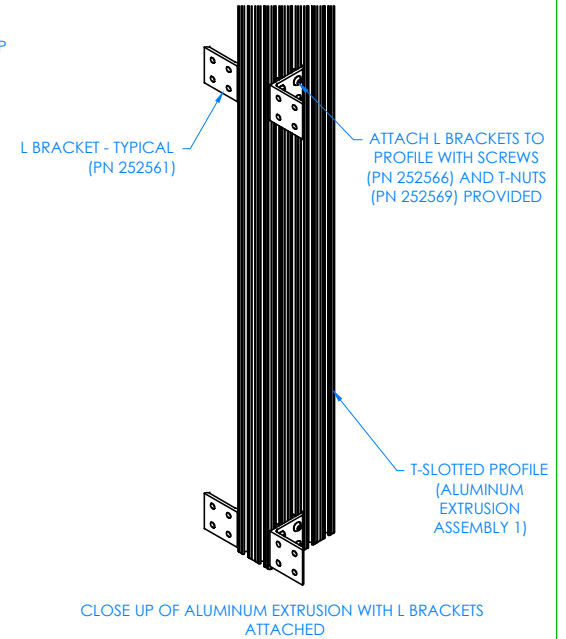
STEP 5:

SET APRON FRAME ON TOP OF SANDBOX AND ATTACH TO SANDBOX WITH THE 14 - #8X1-3/4 QUARD WASH HD SCREWS PROVIDED. MAKE SURE THAT THE 4 HOLES IN THE BRACE ARE ON THE SAME SIDE AS THE 4 HOLES IN THE SANDBOX (SEE PHOTO IN STEP 6)



STEP 6:

WITH HELP FROM ANOTHER PERSON, FLIP UNIT OVER SO IT IS ON THE CASTERS.



STEP 7:

SLIDE 2 L-BRACKETS ASSEMBLIES ONTO EACH SIDE OF THE T-SLOTTED PROFILE (ALUMINUM EXTRUSION ASSEMBLY 1) THE TOP BRACKETS CAN BE LEFT LOOSE FOR NOW. POSITION THE BOTTOM BRACKETS SO THEY ARE FLUSH WITH THE BOTTOM OF THE ALUMINUM EXTRUSION AND TIGHTEN.

NOTE:

1.

| | | | |
|---------|-----|-----------|----------|
| DWN BY: | EMK | DWN DATE: | 12/22/16 |
| APR BY: | | DATE APR: | |
| APR BY: | | DATE APR: | |

UNLESS OTHERWISE SPECIFIED DIMENSION ARE IN INCHES
 CABINET SQUARENESS ± .0625
 FRACTIONAL VALUES ± 1/32"
 - ALL VALUES ± OVERALL -



300 South Krueger Street
 Suring, WI 54174
 diversifiedwoodcrafts.com

TITLE:
**AUGMENTED REALITY SANDBOX
 ASSEMBLY INSTRUCTIONS**

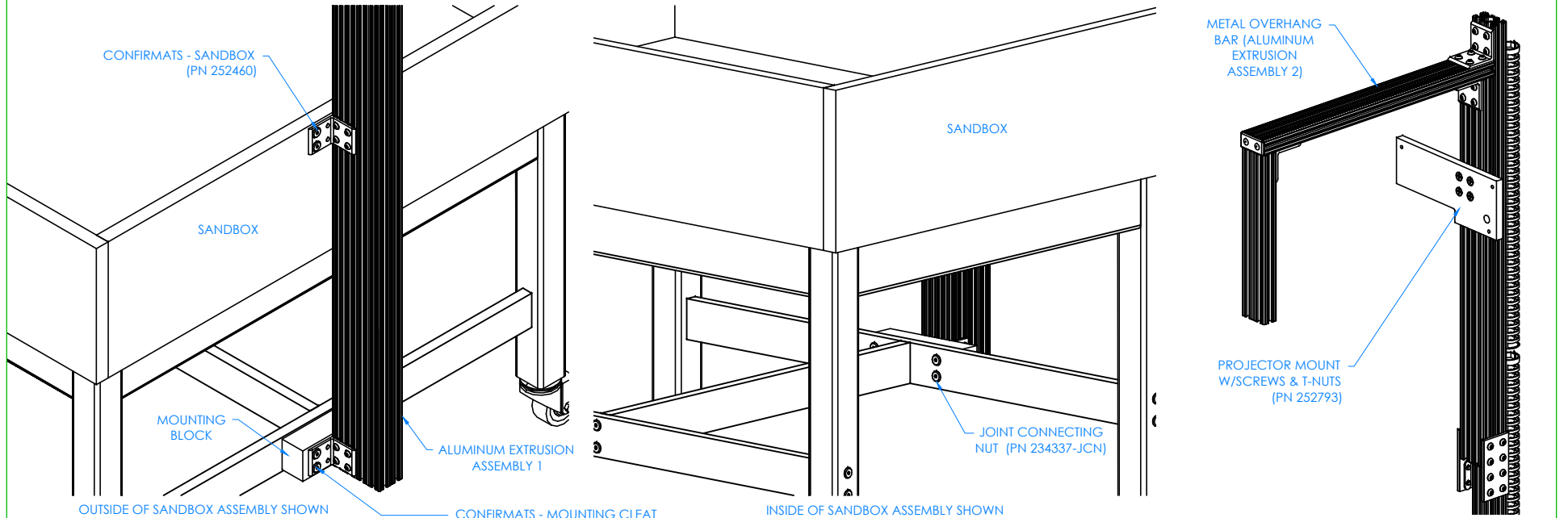
| REV. | DESCRIPTION | DATE | NAME | ECH NO. |
|----------------|-----------------|----------|------|---------|
| A | CREATED DRAWING | 12/22/16 | EMK | - |
| REVISION LEVEL | | | | |

THIS DRAWING IS THE SOLE PROPERTY OF DIVERSIFIED WOOD CRAFTS. IT MAY NOT BE ALTERED OR CHANGED WITHOUT PERMISSION

DRAWING NUMBER:

ARS-4030

| | | |
|--------|--------|-----------|
| SCALE: | SHEET: | REVISION: |
| NTS | 5 OF 8 | REV A |



STEP 8:

ATTACH ALUMINUM EXTRUSION ASSEMBLY 1 TO SANDBOX AND MOUNTING BLOCK BY POSITIONING L BRACKETS TO HOLES ON TOP OF SANDBOX AND TO THE HOLES ON MOUNTING BLOCK. ATTACH L BRACKETS BY INSERTING CONFIRMATS ON THE OUTSIDE OF SANDBOX AND MOUNTING BLOCK AND THE JOINT CONNECTING NUT ON THE INSIDE. TIGHTEN CONFIRMATS AND THEN TIGHTEN TOP L-BRACKET SCREWS.

STEP 9:

SLIDE PROJECTOR MOUNTING BLOCK ONTO METAL OVERHANG BAR (ALUMINUM EXTRUSION ASSEMBLY 2) FROM THE BOTTOM. ATTACH WITH HARDWARE PROVIDED. DO NOT TIGHTEN ALL THE WAY.

NOTE:

- 1.

| | | | |
|---------|-----|-----------|----------|
| DWN BY: | EMK | DWN DATE: | 12/22/16 |
| APR BY: | | DATE APR: | |
| APR BY: | | DATE APR: | |

UNLESS OTHERWISE SPECIFIED
DIMENSION ARE IN INCHES

CABINET SQUARENESS ± .0625
FRACTIONAL VALUES ± 1/32"
- ALL VALUES ± OVERALL -



300 South Krueger Street
Suring, WI 54174
diversifiedwoodcrafts.com

TITLE:
**AUGMENTED REALITY SANDBOX
ASSEMBLY INSTRUCTIONS**

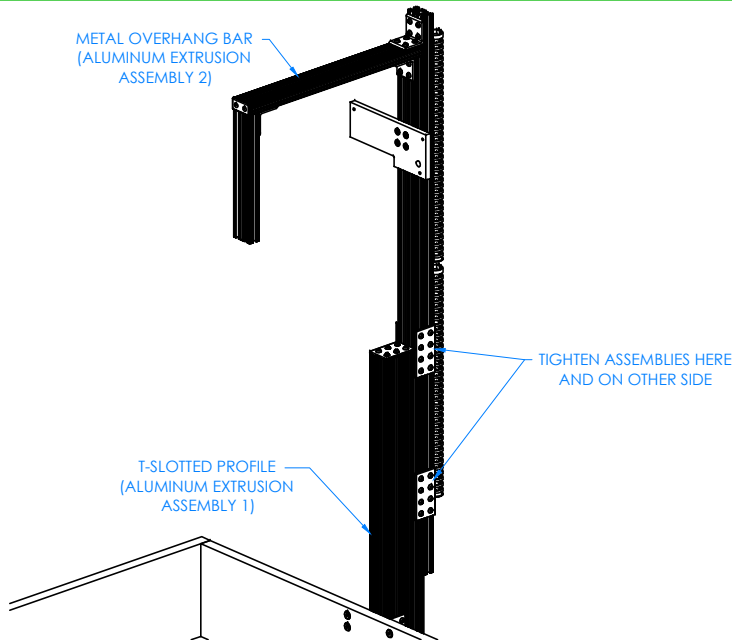
| A | CREATED DRAWING | 12/22/16 | EMK | - |
|----------------|-----------------|----------|------|---------|
| REV. | DESCRIPTION | DATE | NAME | ECH NO. |
| REVISION LEVEL | | | | |

THIS DRAWING IS THE SOLE PROPERTY OF
DIVERSIFIED WOOD CRAFTS. IT MAY NOT
BE ALTERED OR CHANGED WITHOUT
PERMISSION

DRAWING NUMBER:

ARS-4030

| | | |
|--------|--------|-----------|
| SCALE: | SHEET: | REVISION: |
| NTS | 6 OF 8 | REV A |

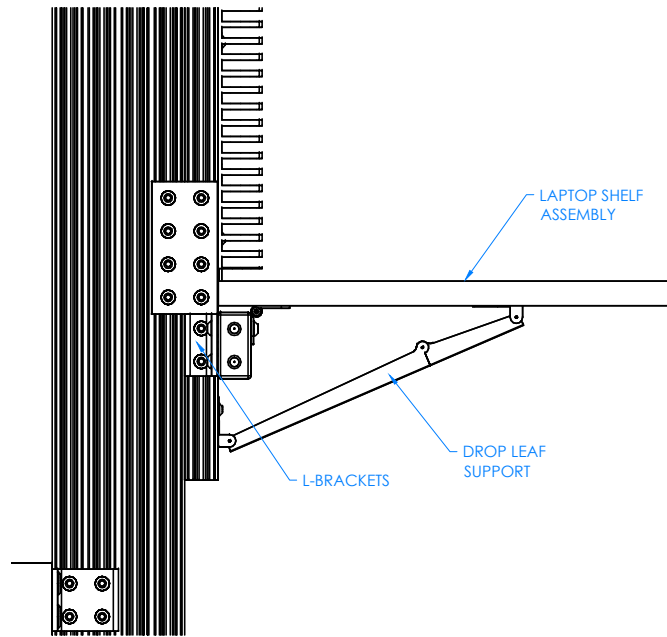


STEP 10:

ASSEMBLE T-NUTS (PN 252569) AND SCREWS (PN 252566) TO THE 8-HOLE PLATES. SLIDE METAL OVERHANG BAR (ALUMINUM EXTRUSION ASSEMBLY 2) INTO T-SLOTTED PROFILE (ALUMINUM EXTRUSION ASSEMBLY 1). TIGHTEN THE TWO ASSEMBLIES TOGETHER. MAKE SURE ALL SCREWS ARE TIGHT BEFORE MOVING ON. GO BACK TO STEP 9 AND TIGHTEN PROJECTOR MOUNTING BLOCK ONTO ALUMINUM EXTRUSION ASSEMBLY 2. MAKE SURE BOTTOM OF MOUNT SITS ABOUT 15" FROM TOP OF ALUMINUM EXTRUSION ASSEMBLY 1. FINAL DIMENSION WILL BE ADJUSTED ONCE CAMERA AND PROJECTOR ARE MOUNTED IN STEP 13.

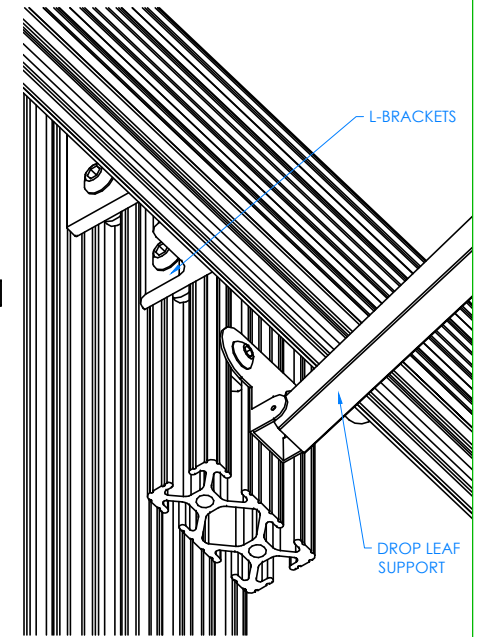
NOTE:

1. ELECTRONIC COMPONENTS NOT SHOWN.



STEP 11:

SLIDE LAPTOP SHELF L-BRACKETS UP THE SIDES OF THE T-SLOTTED PROFILE UNTIL THEY ARE TIGHT TO THE 8-HOLE FLAT PLATE, AND TIGHTEN SCREWS. SLIDE THE BOTTOM END OF THE DROP LEAF SUPPORT UP THE FACE OF THE T-SLOTTED PROFILE, GUIDING THE ATTACHED T-NUTS INTO THE GROOVES. FULLY ENGAGE THE DROP LEAF AND RAISE IT UP UNTIL THE SHELF IS SITTING PARALLEL TO THE FLOOR, TIGHTEN THE SCREWS TO SECURE IT IN PLACE.



| | | | |
|---------|-----|-----------|----------|
| DWN BY: | EMK | DWN DATE: | 12/22/16 |
| APR BY: | | DATE APR: | |
| APR BY: | | DATE APR: | |

UNLESS OTHERWISE SPECIFIED
DIMENSION ARE IN INCHES
CABINET SQUARENESS ± .0625
FRACTIONAL VALUES ± 1/32"
- ALL VALUES ± OVERALL -



300 South Krueger Street
Suring, WI 54174
diversifiedwoodcrafts.com

TITLE:
AUGMENTED REALITY SANDBOX
ASSEMBLY INSTRUCTIONS

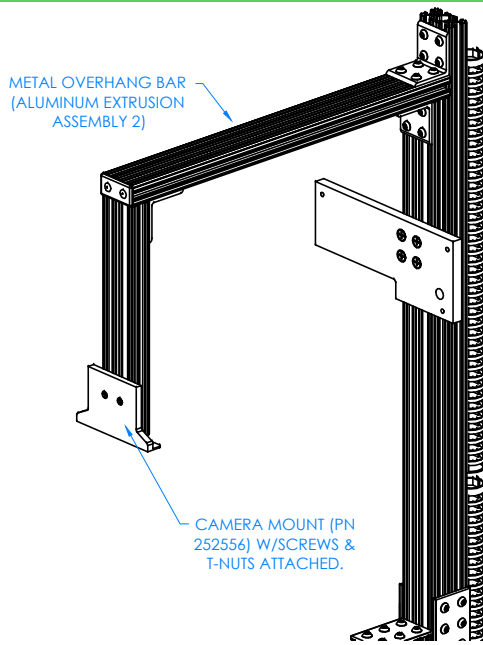
| A | CREATED DRAWING | 12/22/16 | EMK | - |
|----------------|-----------------|----------|------|---------|
| REV. | DESCRIPTION | DATE | NAME | ECH NO. |
| REVISION LEVEL | | | | |

THIS DRAWING IS THE SOLE PROPERTY OF
DIVERSIFIED WOOD CRAFTS. IT MAY NOT
BE ALTERED OR CHANGED WITHOUT
PERMISSION

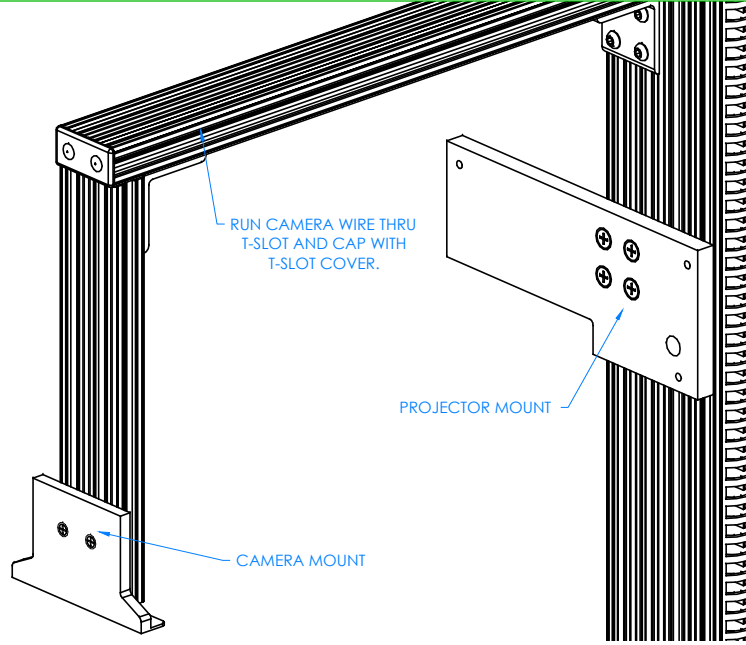
DRAWING NUMBER:

ARS-4030

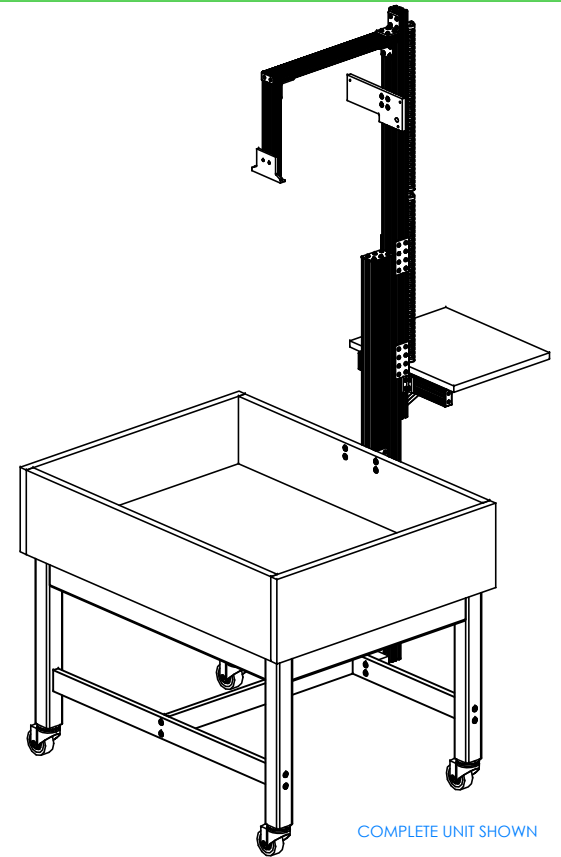
| | | |
|--------|--------|-----------|
| SCALE: | SHEET: | REVISION: |
| NTS | 7 OF 8 | REV A |



STEP 12:
SLIDE THE CAMERA MOUNT UP ONTO THE ALUMINUM EXTRUSION ASSEMBLY, GUIDING THE T-NUTS INTO THE SLOTS. SLIDE IT UP UNTIL THE BOTTOM LIP OF THE MOUNT IS AGAINST THE ALUMINUM. TIGHTEN THE SCREWS.



STEP 13:
LINE THE PROJECTOR UP WITH THE 3 MOUNTING HOLES IN THE BRACKET AND ATTACH USING THE 3 SCREWS (PN 252719) PROVIDED. SNUG THE SCREWS AND MAKE SURE THE PROJECTOR IS AS PARALLEL TO THE SANDBOX AS POSSIBLE AND TIGHTEN. SNAP THE KINECT 3D CAMERA ONTO THE CAMERA MOUNT. DOUBLE CHECK TO MAKE SURE THE LENS OF THE PROJECTOR IS IN LINE WITH THE KINECT CAMERA, IF NOT ADJUST THE PROJECTOR MOUNTING BLOCK UP OR DOWN AS NEEDED AND RE-MOUNT THE PROJECTOR. KINECT CABLE CAN BE RUN INSIDE THE T-SLOT ON THE SIDE OF THE ALUMINUM OR ON TOP. CAP THIS OFF WITH THE T-SLOT COVER (PN 252812) TO HOLD WIRE IN PLACE. TAP COVER INTO SLOT WITH A RUBBER Mallet.



STEP 14:
YOUR AUGMENTED REALITY SANDBOX IS NOW ASSEMBLED. PROCEED TO THE SETUP AND CALIBRATION MANUAL FOR THE ELECTRONICS AND SOFTWARE WALKTHROUGH.

NOTE:
1. ELECTRONIC COMPONENTS NOT SHOWN.

| | | | |
|---------|-----|-----------|----------|
| DWN BY: | EMK | DWN DATE: | 12/22/16 |
| APR BY: | | DATE APR: | |
| APR BY: | | DATE APR: | |

UNLESS OTHERWISE SPECIFIED
DIMENSION ARE IN INCHES
CABINET SQUARENESS ± .0625
FRACTIONAL VALUES ± 1/32"
- ALL VALUES ± OVERALL -



300 South Krueger Street
Suring, WI 54174
diversifiedwoodcrafts.com

TITLE:
**AUGMENTED REALITY SANDBOX
ASSEMBLY INSTRUCTIONS**

| A | CREATED DRAWING | 12/22/16 | EMK | - |
|------|-----------------|----------|------|---------|
| REV. | DESCRIPTION | DATE | NAME | ECN NO. |
| | REVISION LEVEL | | | |

THIS DRAWING IS THE SOLE PROPERTY OF
DIVERSIFIED WOOD CRAFTS. IT MAY NOT
BE ALTERED OR CHANGED WITHOUT
PERMISSION

| | | | | | | | |
|-----------------|----------|--------|-----|--------|--------|-----------|-------|
| DRAWING NUMBER: | ARS-4030 | SCALE: | NTS | SHEET: | 8 OF 8 | REVISION: | REV A |
|-----------------|----------|--------|-----|--------|--------|-----------|-------|