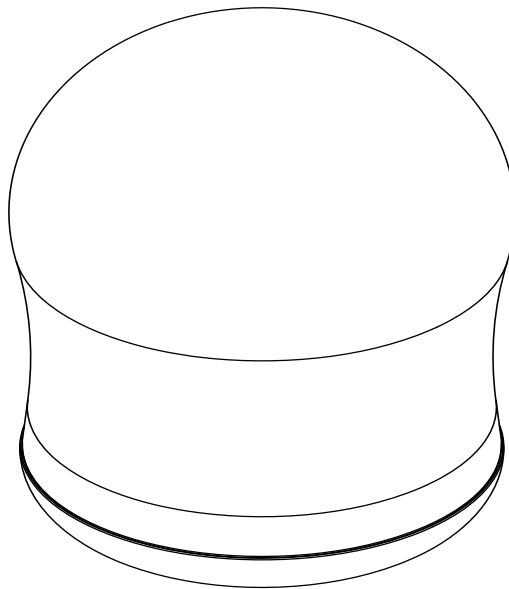


4760
Zenergy™ Swivel
Zenergy™ Pivontant
Zenergy™ Esiabón Giratorio



PRODUCT WARRANTY is available online at: www.safcoproducts.com

• LA GARANTIE DU PRODUIT est
disponible sur l'Internet : www.safcoproducts.com

• LA GARANTÍA DEL PRODUCTO está
disponible en la Internet: www.safcoproducts.com

For questions or concerns, please call **1-800-664-0042**
available Monday-Friday 7:30 AM to 5:00 PM (Central Time) (English-speaking operators)

Si vous avez des questions pour poser ou les préoccupations
pour exprimer, connecter **au 1-800-664-0042**
de 7H30 à 17H00 (Heure centrale) (Opérateurs de langue anglaise)

Si usted tiene preguntas o preocupaciones,
por favor llame **1-800-664-0042**
de 7:30 AM a 5:00 PM (Hora Central) (Operadores que hablan inglés)

Note: Read and follow all warnings before use.
Noter: Lisez et suivez toutes les consignes avant utilisation.
Note: Lea y siga todas las advertencias antes de usar.

ATTENTION USER

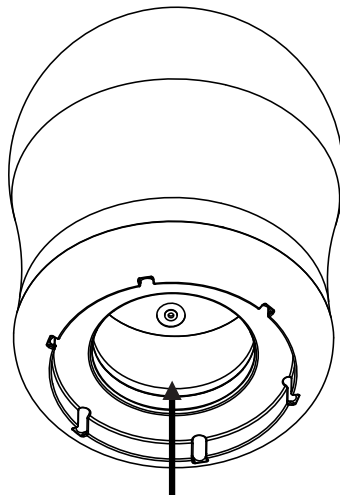
Zenergy™ Ball Chair should be used for sitting purposes only. When using Zenergy™, knees should face forward with both feet firmly on the ground. It is not recommended for use as a full time task chair and is not intended for use during exercise. It is the user's responsibility to ensure proper inflation at all times and to regulate usage to prevent muscle soreness and strain. It is the user's responsibility to be aware of his or her strength capacity and basic dexterity prior to using Zenergy™.

100475036

WARNING

DO NOT REMOVE THIS LABEL

- **DO NOT STAND ON THIS CHAIR-DO NOT USE THIS CHAIR AS A STEP LADDER.**
- Use this product only for seating one person at a time.
- Do not use this chair unless all bolts, screws and knobs are firmly secured.
- At least every 4 months, check all bolts, screws and knobs to be sure they are tight.
- If parts are missing, broken, damaged or worn, stop use of the product until repairs are made, using factory authorized parts.
- **FAILURE TO FOLLOW THESE WARNINGS COULD RESULT IN SERIOUS INJURY.**
- For further information see instruction sheet to be kept with this chair.




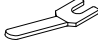
Note: Warnings are also located as shown, inside product.

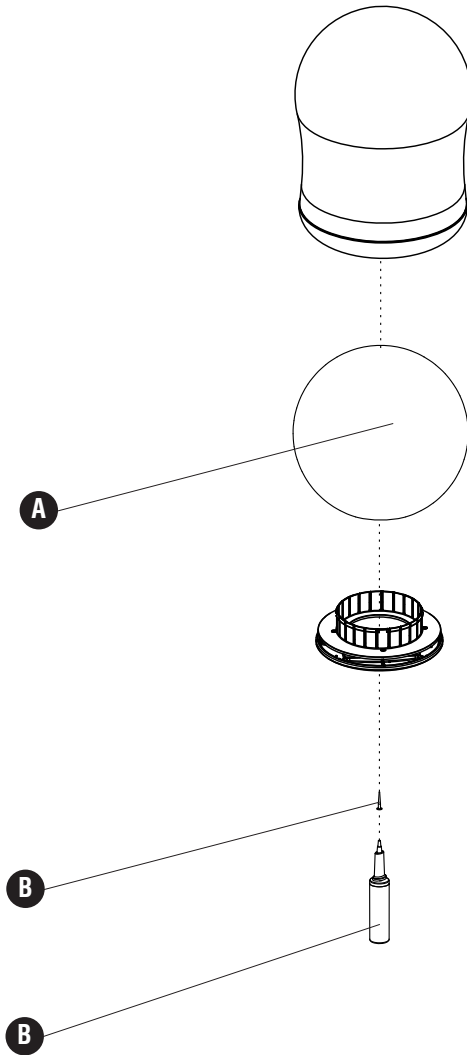
Noter: Mises en garde se trouvent également comme indiqué, à l'intérieur du produit.
Note: Las advertencias también se encuentran como se muestra, dentro de producto.

PARTS LIST / LISTE DES PIÈCES / LISTA DE PIEZAS

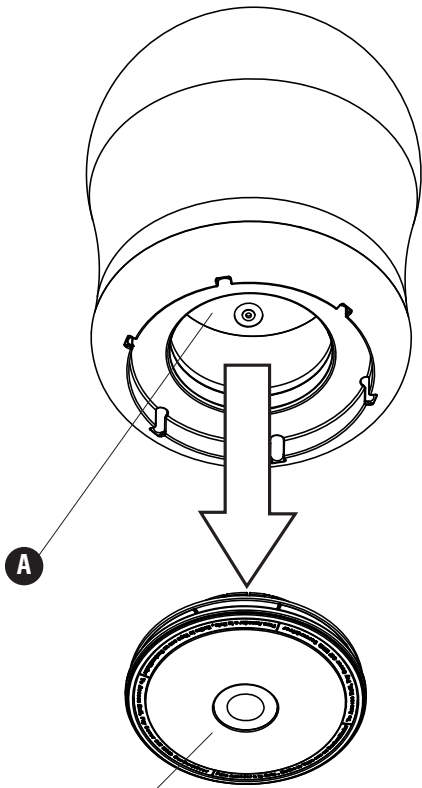
CODE / CODIGO	DESCRIPTION / DESCRIPTION / DESCRIPCIÓN	QTY. / QUANTITÉ / CANTIDAD	PART NO. / N° DE PIECE / NO. DE PIEZA
(A)	Ball / <i>Ballon</i> / Bola	1	220000001
(B)	Pump / <i>Pompe À Air</i> / Bomba De Aire	1	100475004

**HARDWARE PACK / PAQUET
MATÉRIEL / PAQUETE MATERIAL
900000035**

C  Plug <i>Bouchon</i> Tapadero Qty. / Qte. / Cant.: 1 #920000094	D  Plug Remover <i>Vis de blocage de Came</i> Tornillo de bloqueo de leva Qty. / Qte. / Cant.: 1 #920000109
--	--

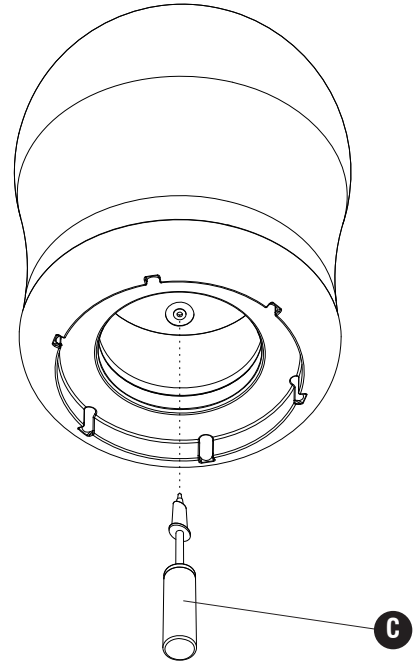


1



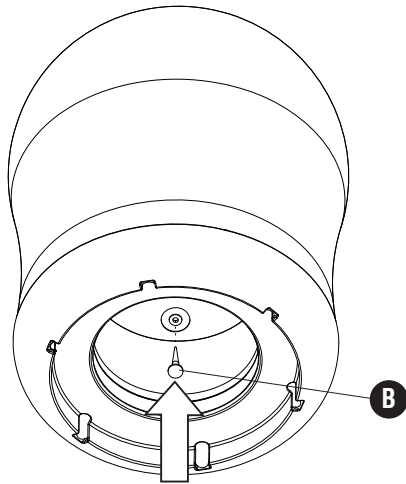
Note: Gently Remove With Screwdriver.
Noter: Retirez Doucement Avec Le Tournevis.
 Note: Retirar Suavemente Con Un Destornillador.

2



Note: Orient Ball And Inflate.
Noter: Orienter Le Ballon Et Gonfler.
 Note: Orientar Bola E Inflar.

3



4

