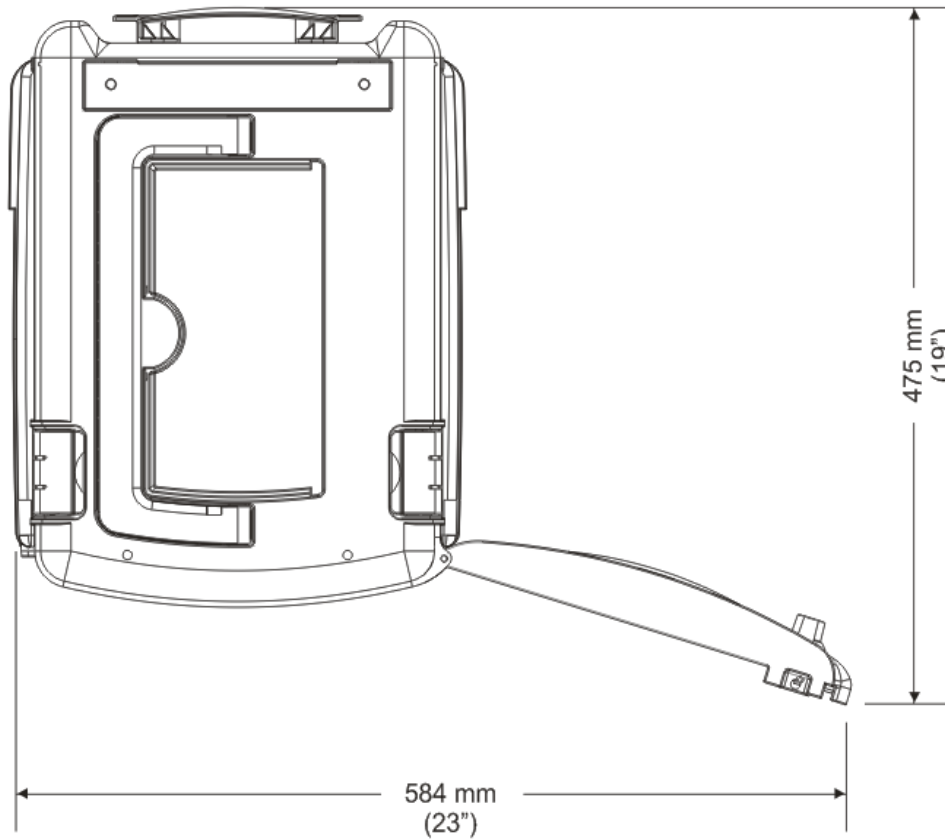
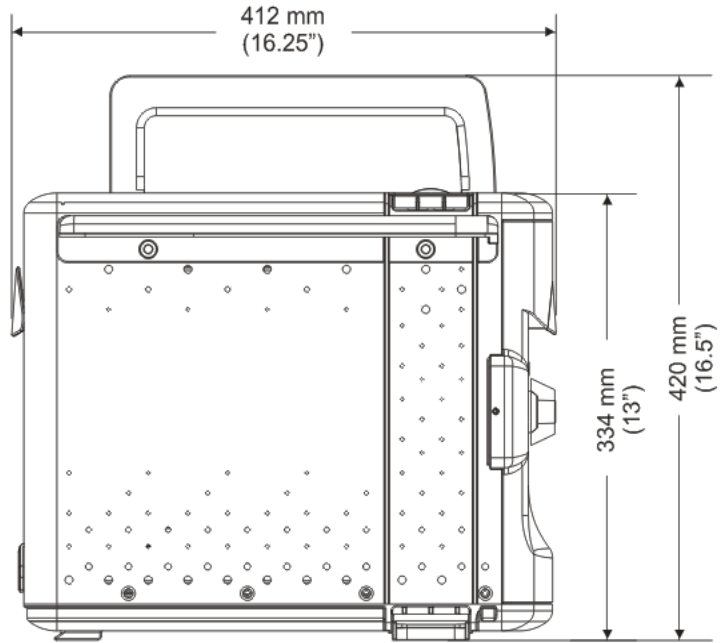
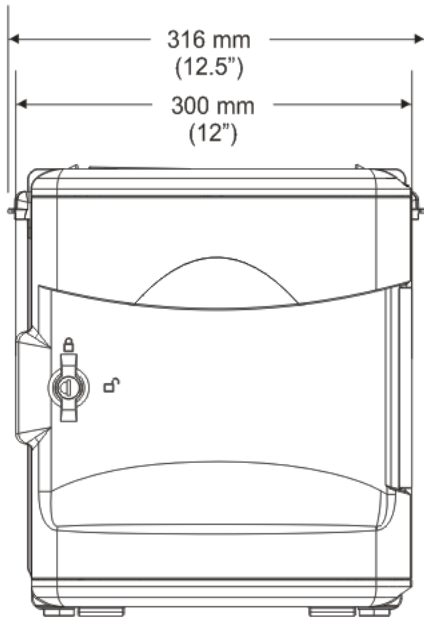


Tech Tub²

Model: FTT600



Tech Tub²®

Model: FTT600

Warranty:

Lifetime tub and lid warranty

One-year component warranty (excludes devices and electrical cords, etc.)

Physical Specifications:

Door Closed, Handle Down, No Rails (Minimum Dimensions)

13-1/8" H x 11-7/8" W x 16-1/4" D (33.4cm H x 30.0cm W x 41.2cm D)

Door Open, Handle Up, With Rails (Maximum Dimensions)

16-1/2" H x 23" W x 18-3/4" D (42.0cm H x 58.4cm W x 47.5cm D)

Tech Tub²®

Model: FTT600

Carton Sizes & Weights:

	Part No.	Carton Size (outer dimensions)	Carton Weight	Shipping Size (cubic feet)	Shipping Weights (lbs)
Tech Tub²® with 6-outlet power strip	FTT600-A	13-1/2" H x 12-1/2" W x 17-1/8" D 34.3cm H x 31.8cm W x 43.5cm D	11lbs 14oz 5.4 kg	1.67	12

Copernicus Educational Products

USA | PMB #459, 60 Industrial Pkwy | Cheektowaga, NY | 14227

CANADA: R.R. #3, 8194 County Road 109 | Arthur, ON | N0G 1A0

P 1 800 267 8494 | E info@copernicused.com

Copernicus Educational Products is not responsible for printing errors. Copernicus reserves the right to change or modify pricing and products specifications with or without prior notification. Illustrations and descriptions may not be exactly as shown. No part may be reproduced by any means without prior authorization of Copernicus Educational Products Inc. All rights reserved. 2015 ©