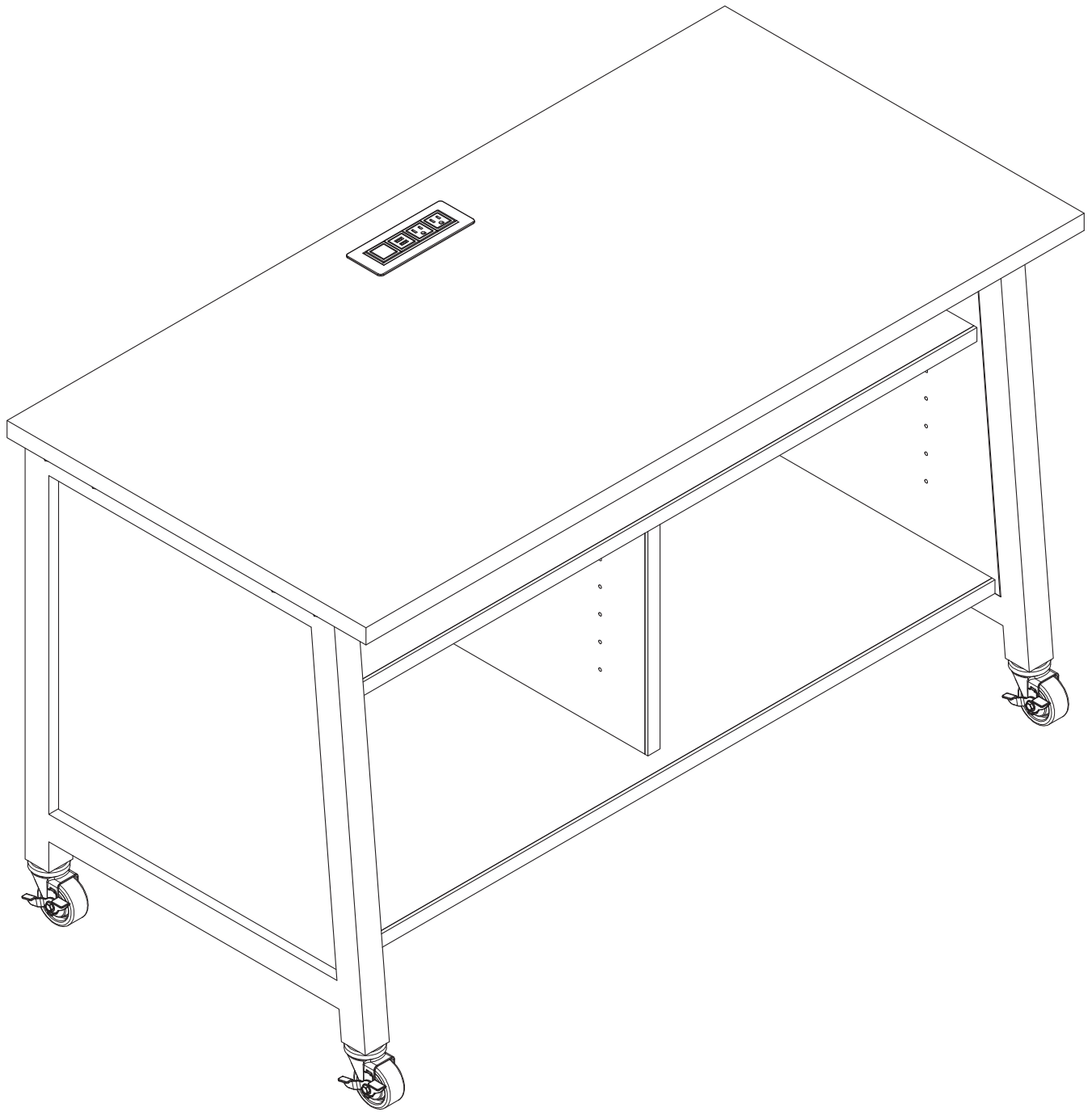


the empowering

Maker

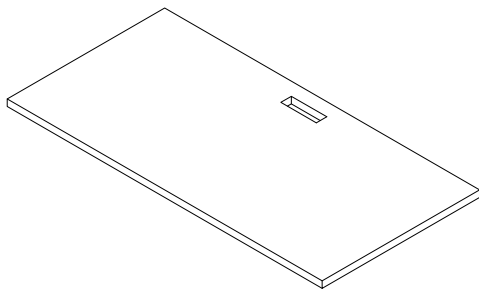
Installation Instructions

Work Tables - Storage Cabinet

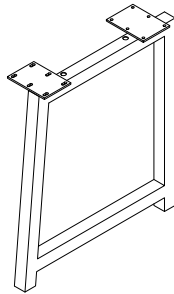


You should have

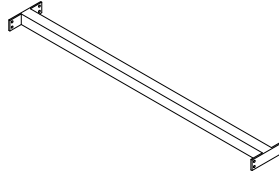
see unit schedule for actual quantities



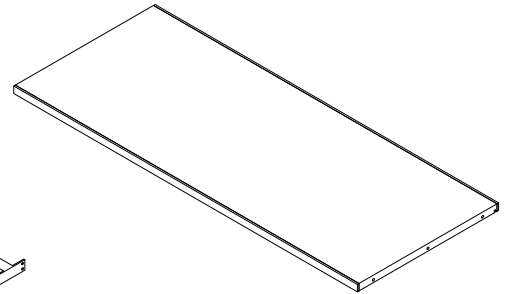
top



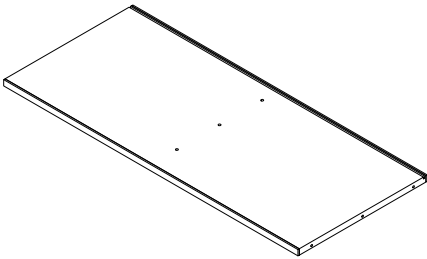
frame



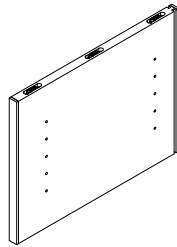
stretcher



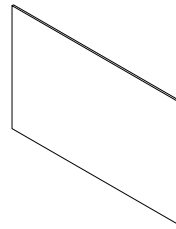
top shelf



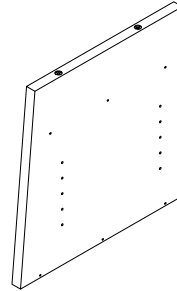
bottom shelf



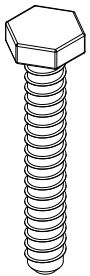
intermediate
panel



back panel



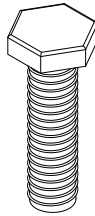
end panels



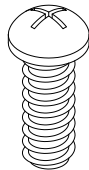
#52051



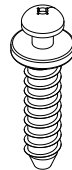
#4700050000



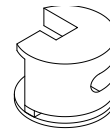
#50048



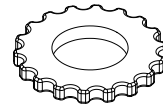
#52041
or #52042



#50024

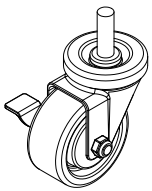


#4700049000

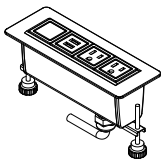


#50034

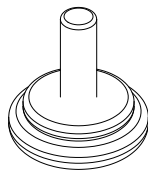
You might have



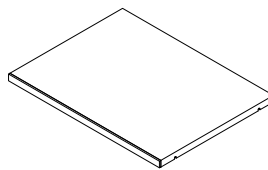
caster



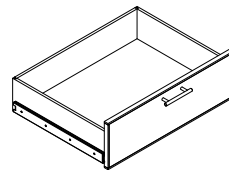
power



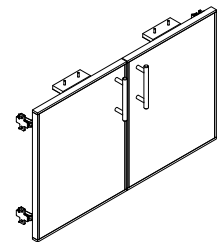
glides



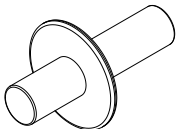
adjustable shelf



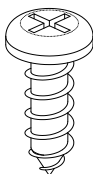
drawer



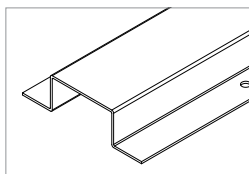
door



#48082



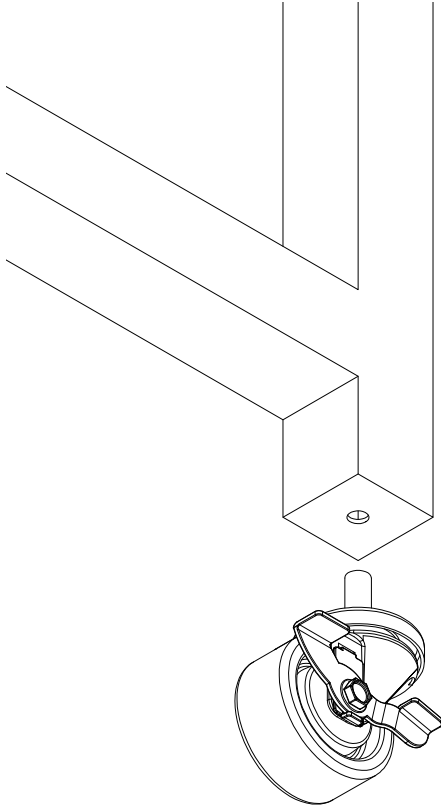
#50080



stress bar

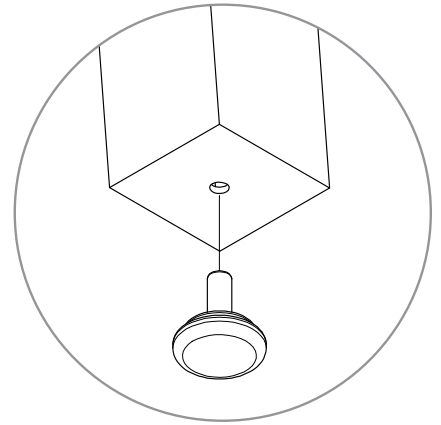
Core Parts Assembly

1

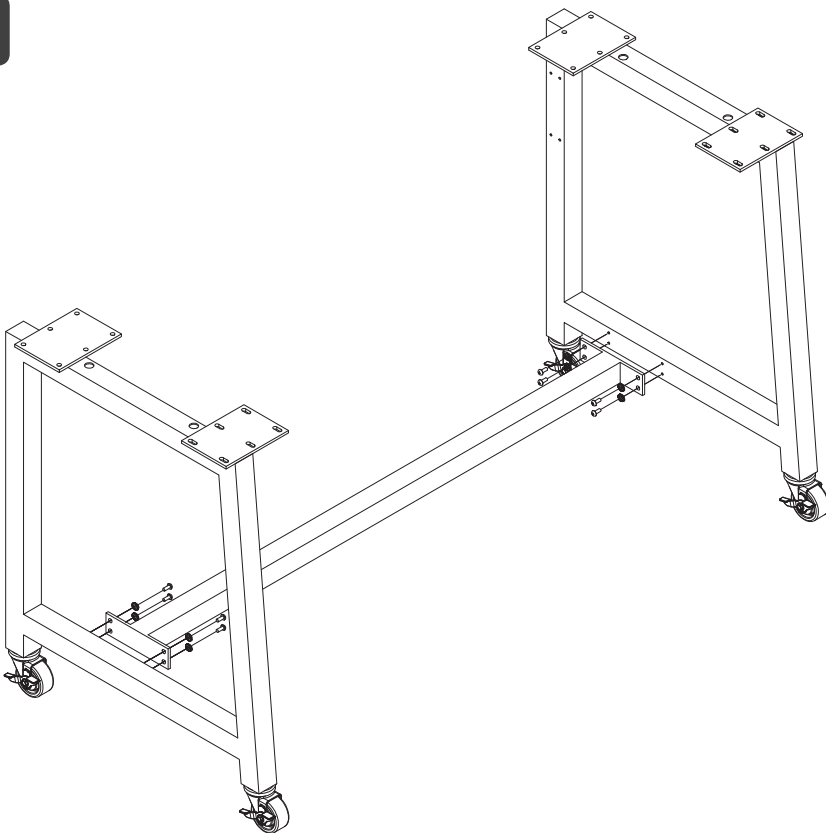


Step Title

- Attach casters to the frame.
- *Glides will assemble the same way.

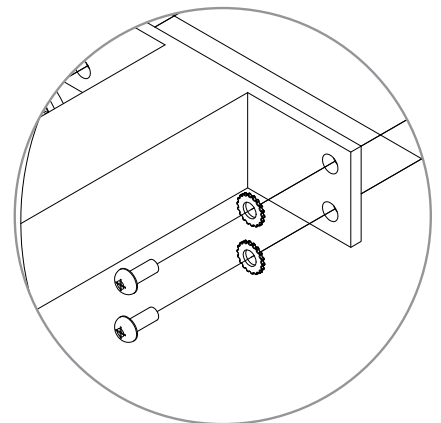


2

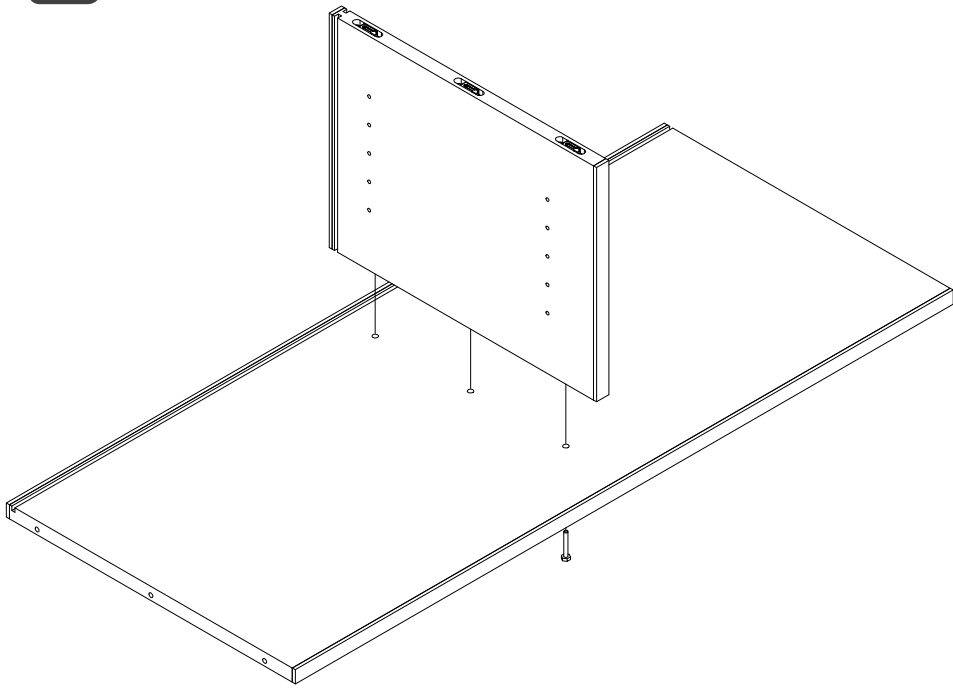


Frame Assembly

- Attach the stretcher to the two end frames using screws #52041 or 52042 and star washers #50034.

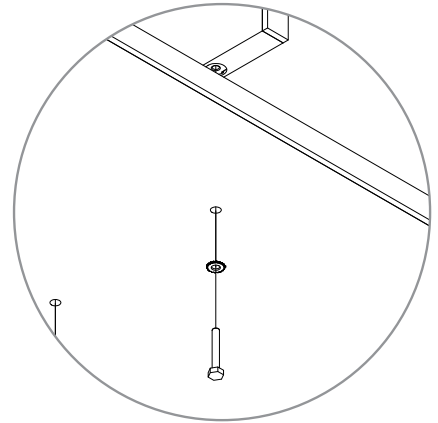


3

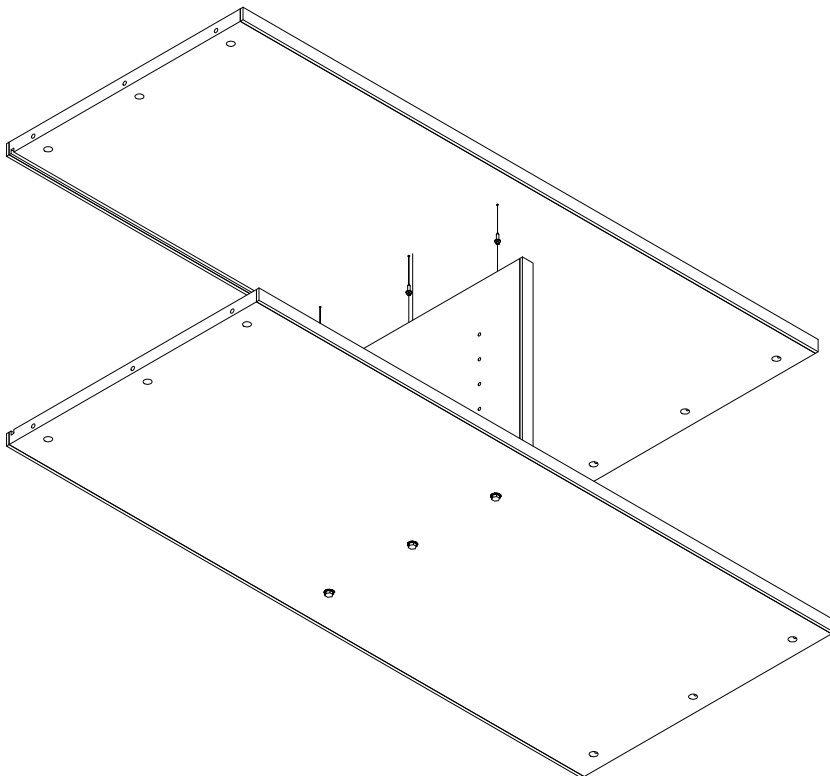


Cabinet Assembly

- Attach the intermediate panel to the lower shelf using bolts #52051 and star washers #50034.

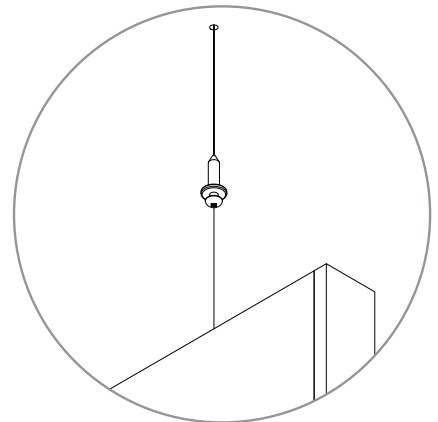


4

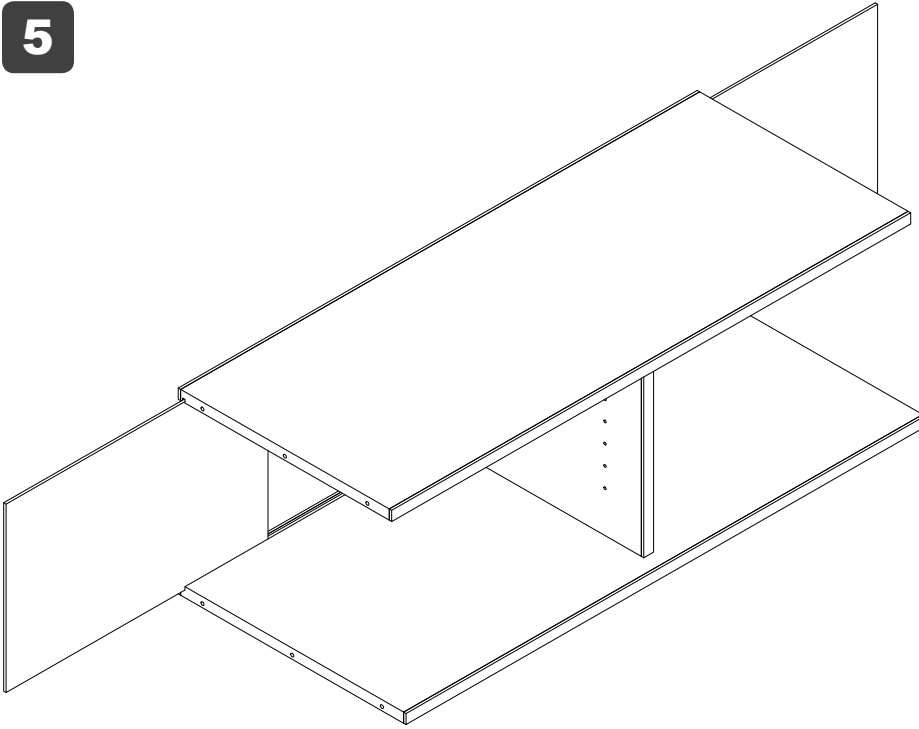


Cabinet Assembly (cont.)

- Attach the top shelf to the intermediate panel using screws #50024 and the pre-installed modeez clips.



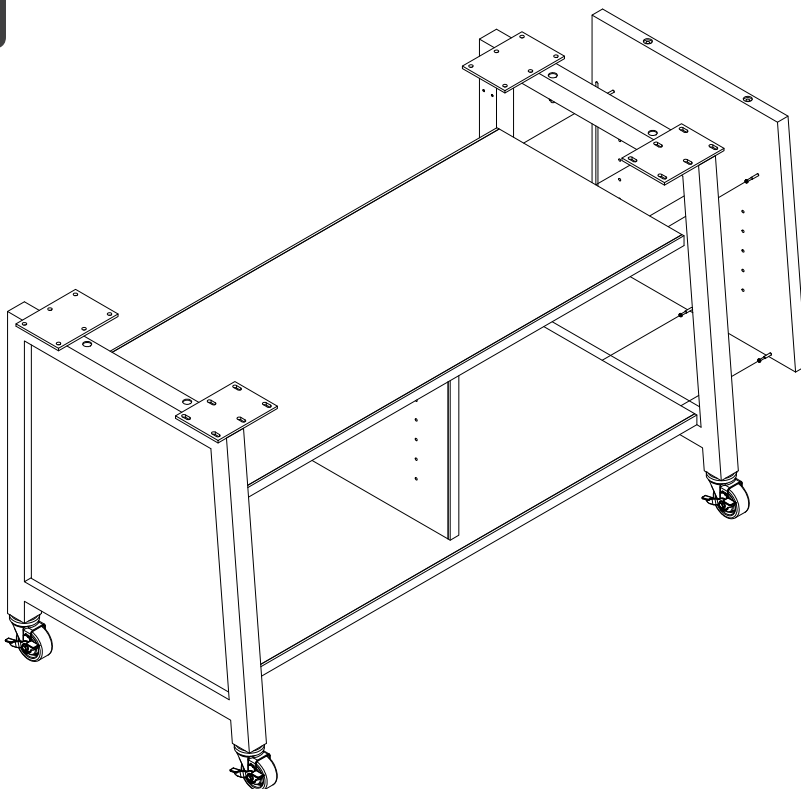
5



Back Panel Assembly

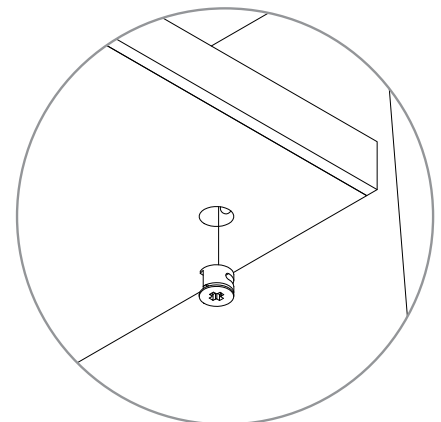
- Insert the back panels into the pre-routed slots.

6

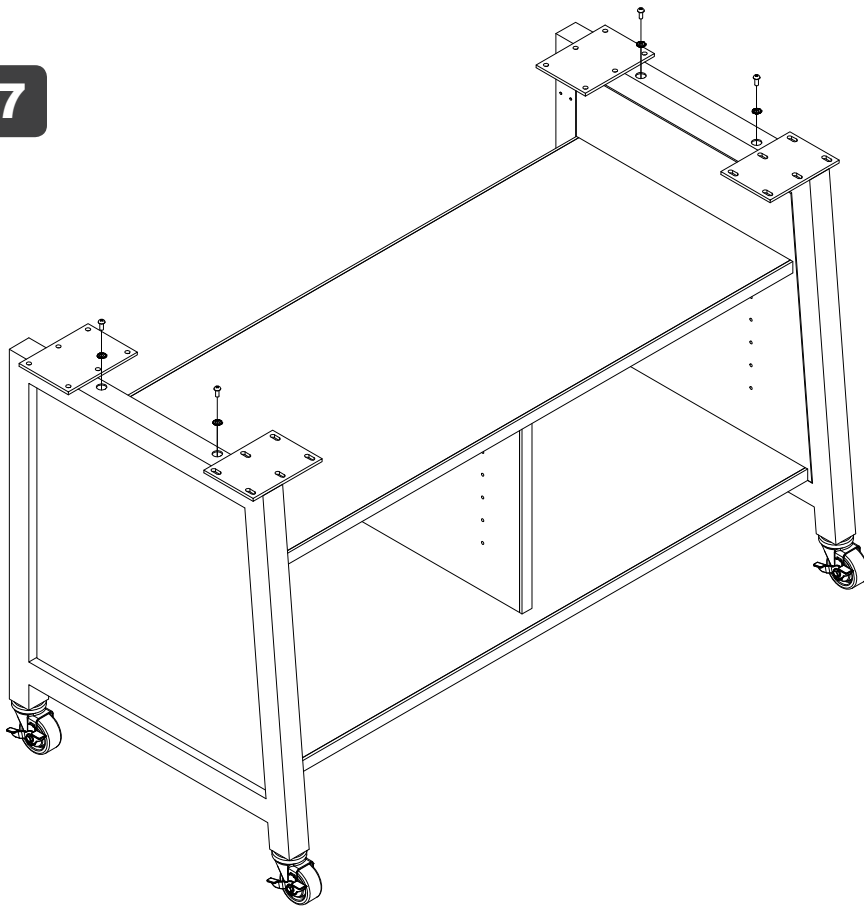


End Panel Assembly

- Place storage cabinet assembly on frame assembly.
- Insert connector bolts #4700050000 in the end panels.
- Insert camlocks #4700049000 into the top and bottom shelf.
- Connect and tighten camlock.

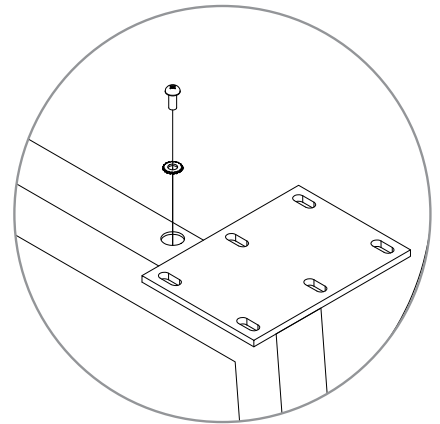


7

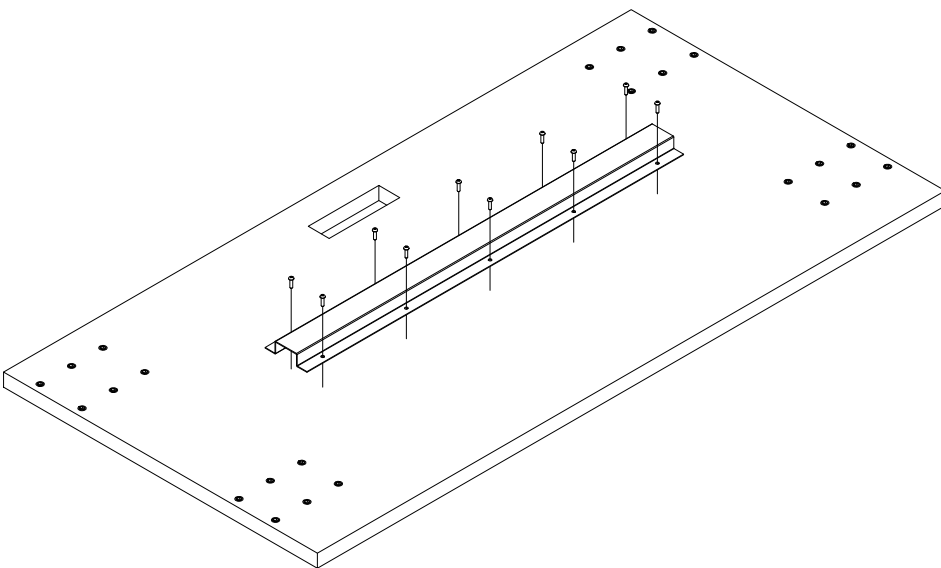


End Panel Assembly *(cont.)*

- Attach the end panels to the frame assembly using screws #52041 or #52042 and star washers #50034.



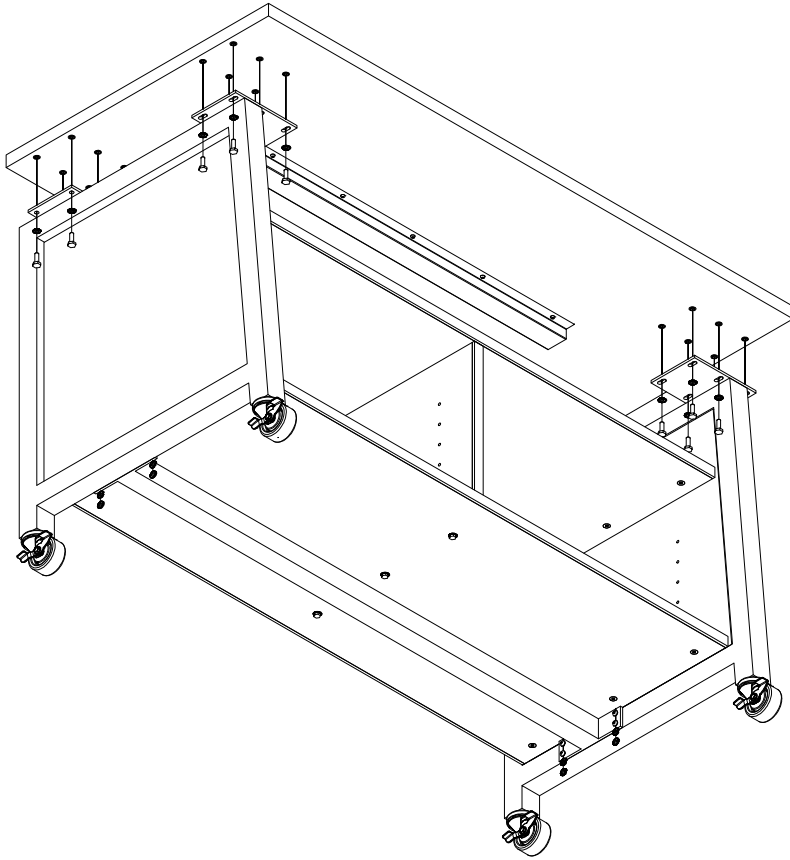
8



Stress Bar

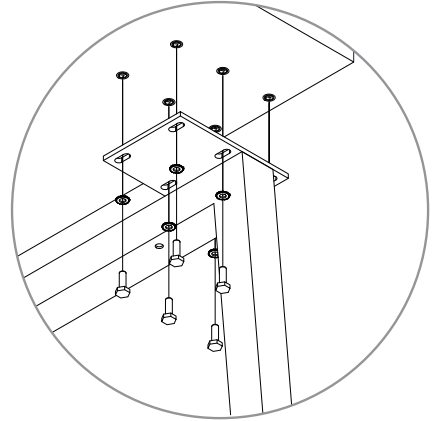
- Attach stress bar to the top using screws #50080.

9

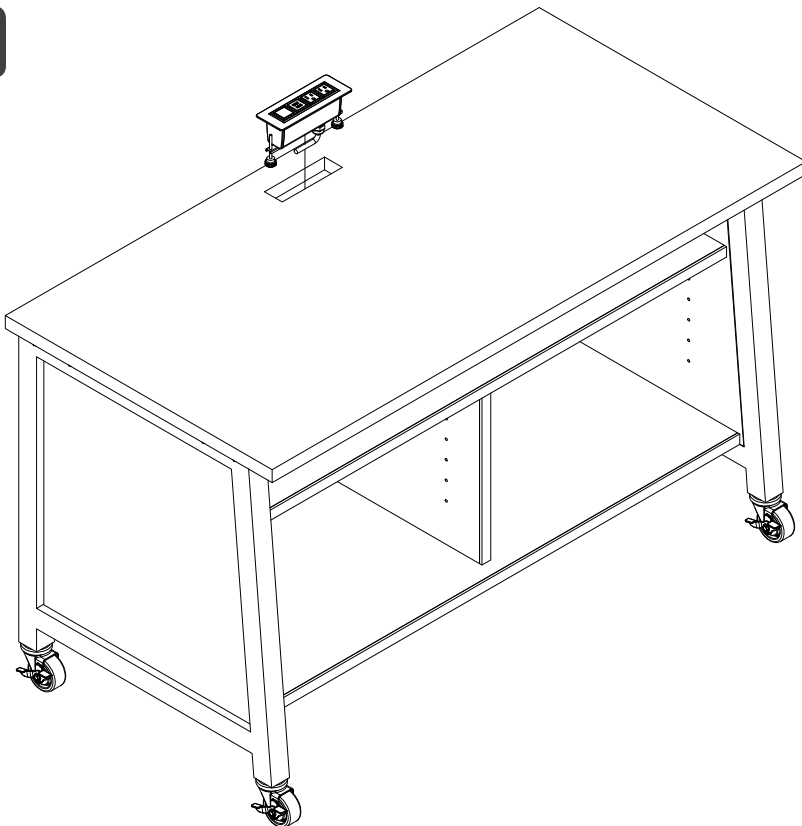


Top Assembly

- Attach the top to the frame assembly using bolts #50048 and star washers #50034.



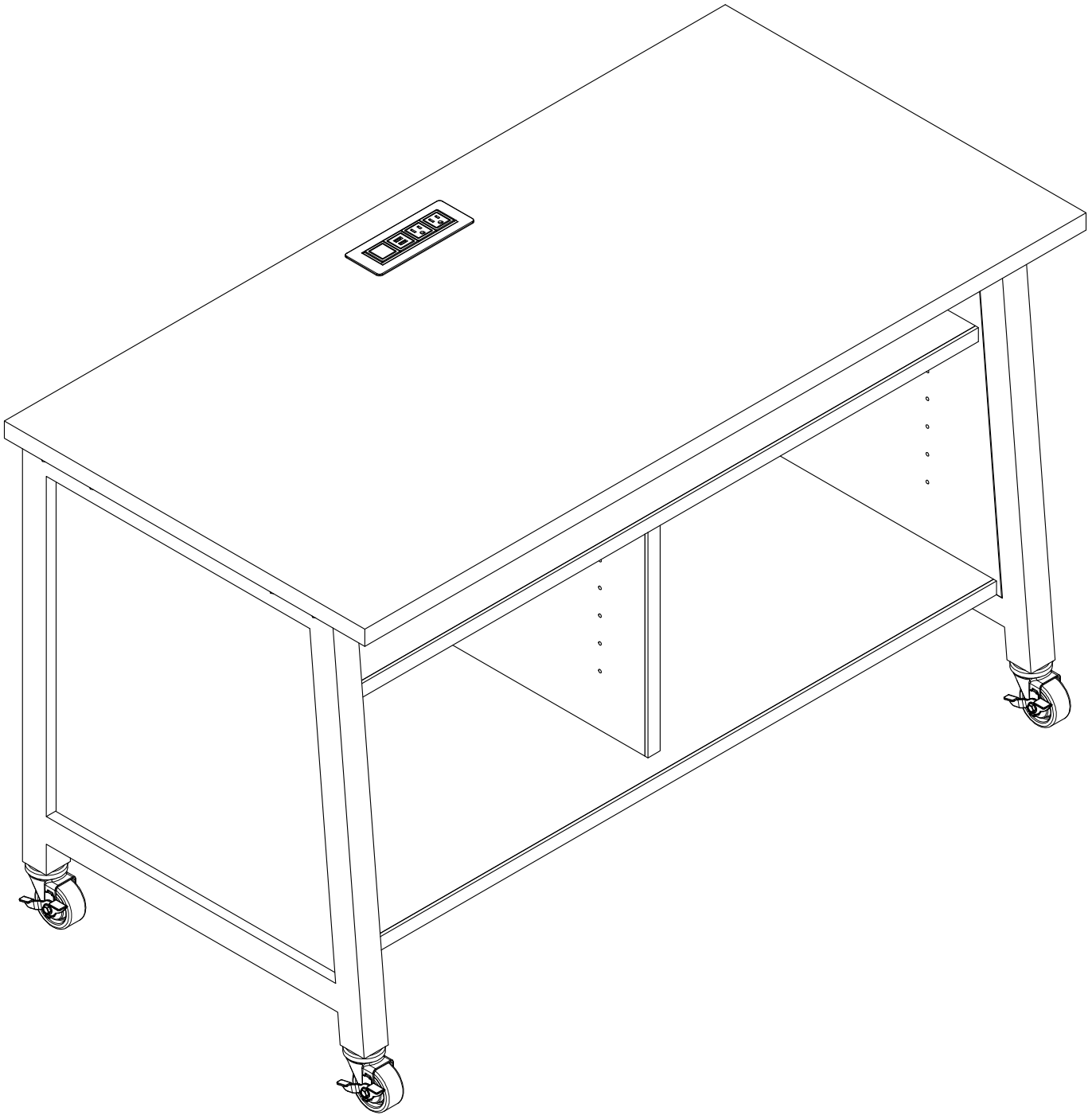
10



Power

- Install the power unit into the pre-routed slot.

11





design the furniture. *innovate* the space. *engage* the users.

liatfurniture.com

694 North Main Street · Troutman, NC 28166
TF 888 440 8205 · F 704 528 6519