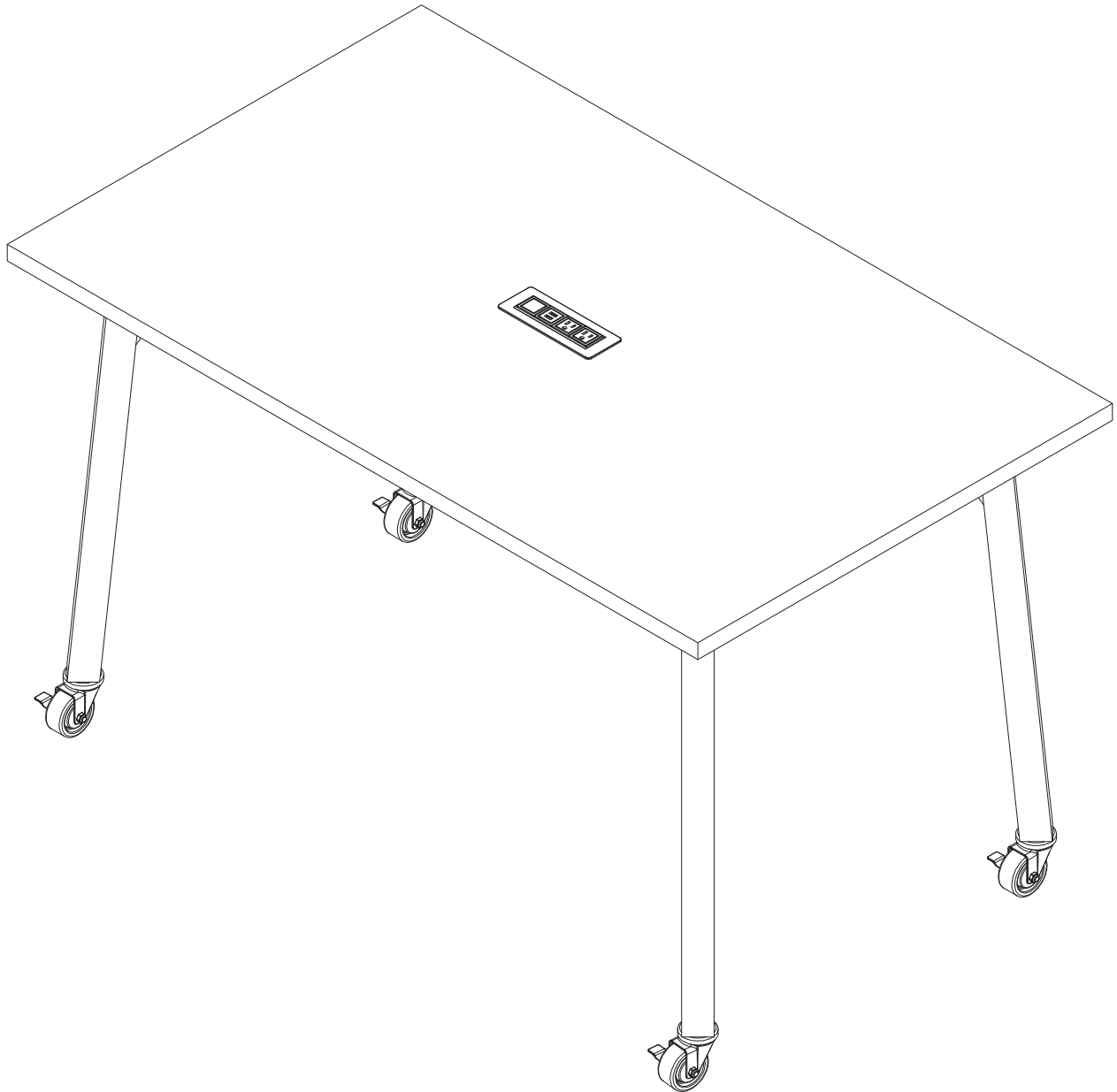


*the empowering*

# Maker

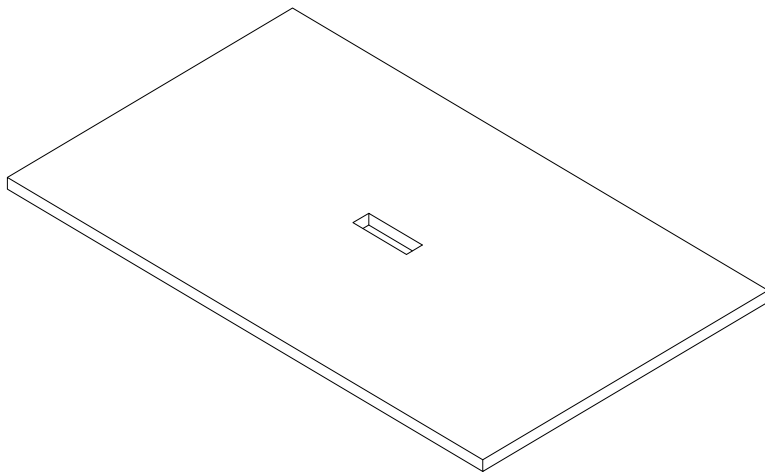
Installation Instructions

Shared Table

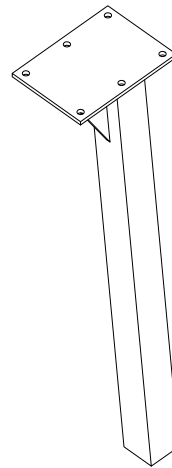


# You should have

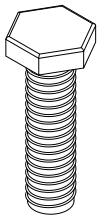
see unit schedule for actual quantities



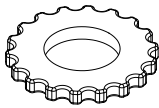
top



legs

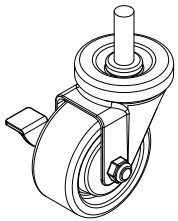


#50048

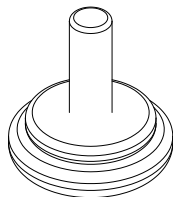


#50034

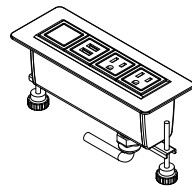
# You might have



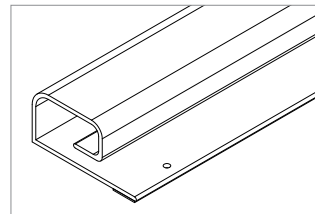
caster



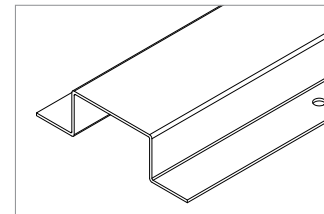
glides



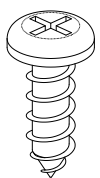
power unit



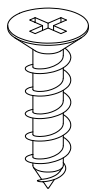
j-wire



stress bar



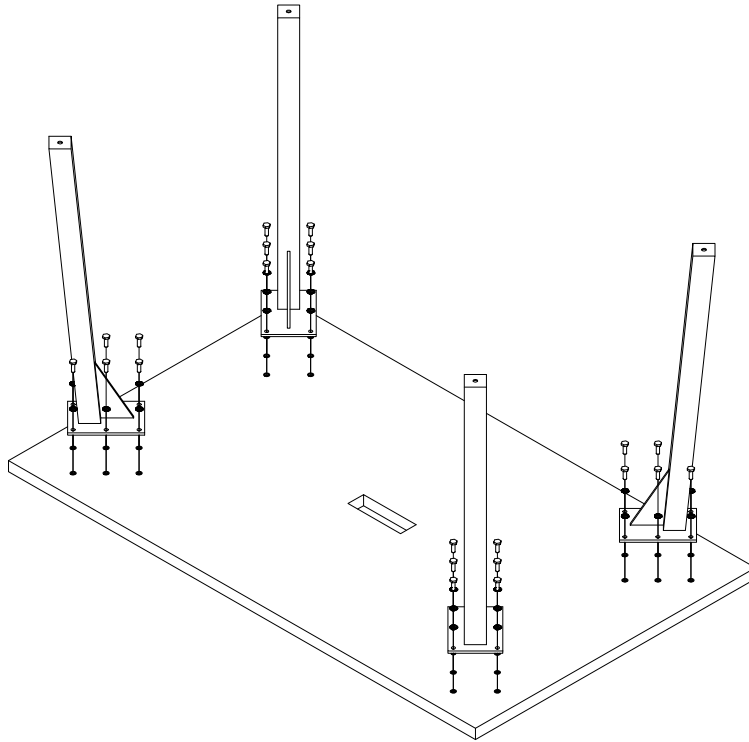
#50080



#50002

# Core Parts Assembly

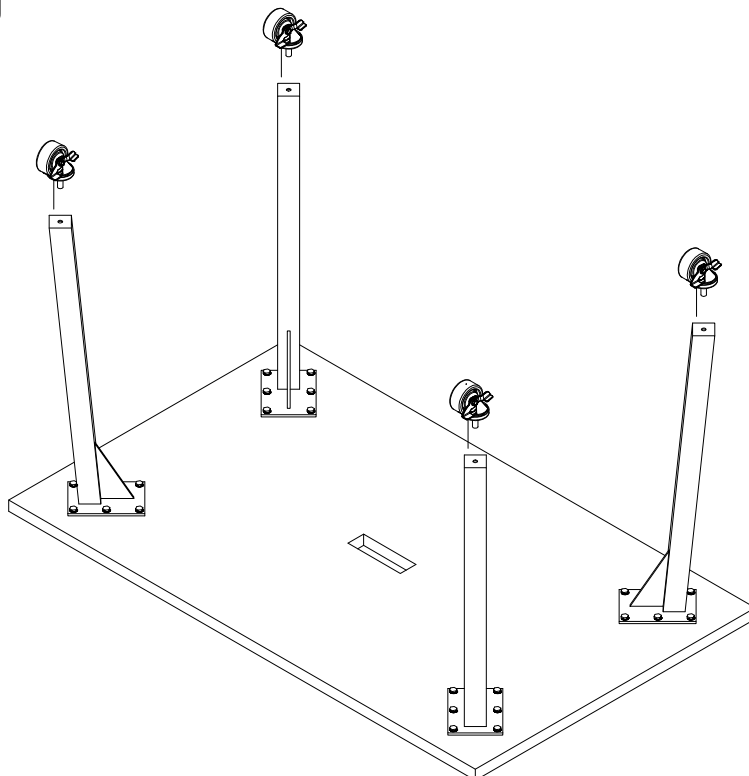
1



## Leg Assembly

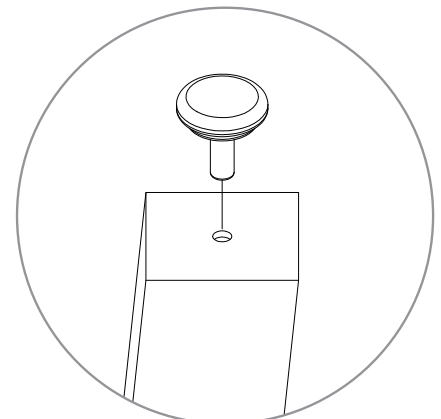
- Attach legs to top using star washers #50034 and bolts #50048.

2

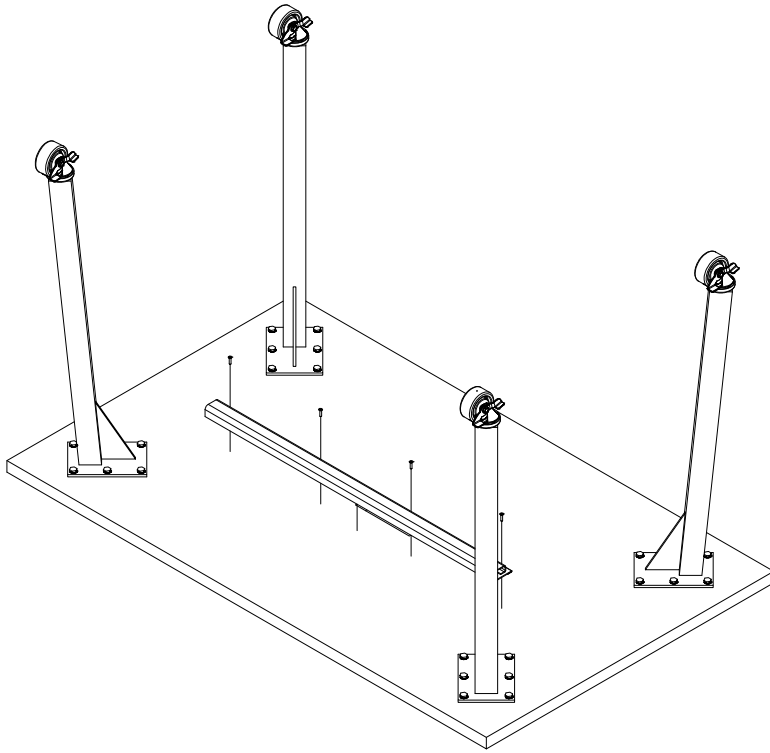


## Caster & Glide Assembly

- Attach casters or glides to the legs.



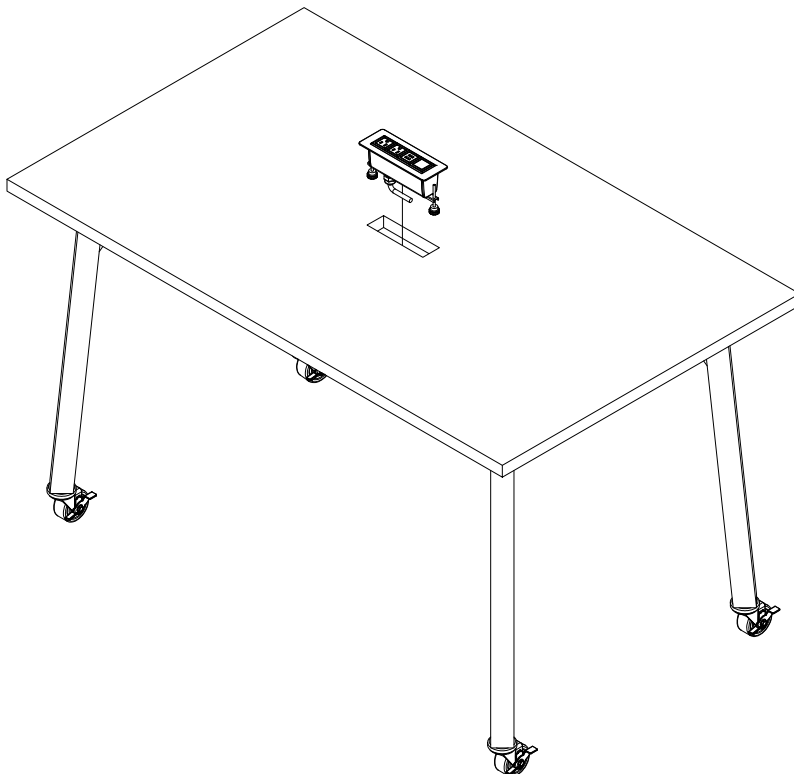
3



**Stress Bar & J-Wire Manager**

- Align the stress bar as close to the center of the table as possible.
- Use the included screws #50080 to install the stress bar.
- Use screw #50002 for j-wire manager.

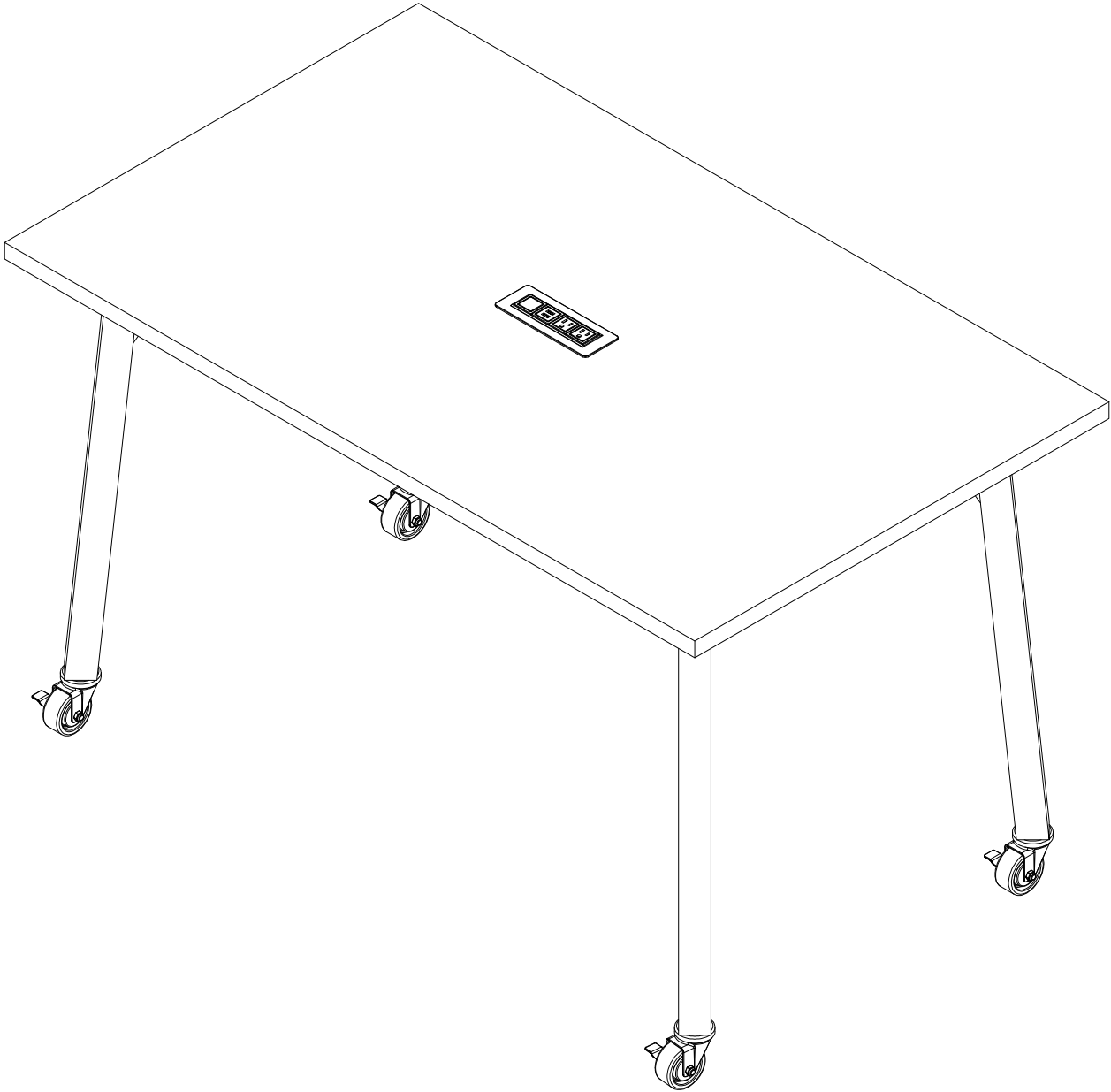
4



**Power Assembly**

- Insert Power Unit into pre-routed slot.

5





*design* the furniture. *innovate* the space. *engage* the users.

---

*liatfurniture.com*

694 North Main Street · Troutman, NC 28166  
TF 888 440 8205 · F 704 528 6519