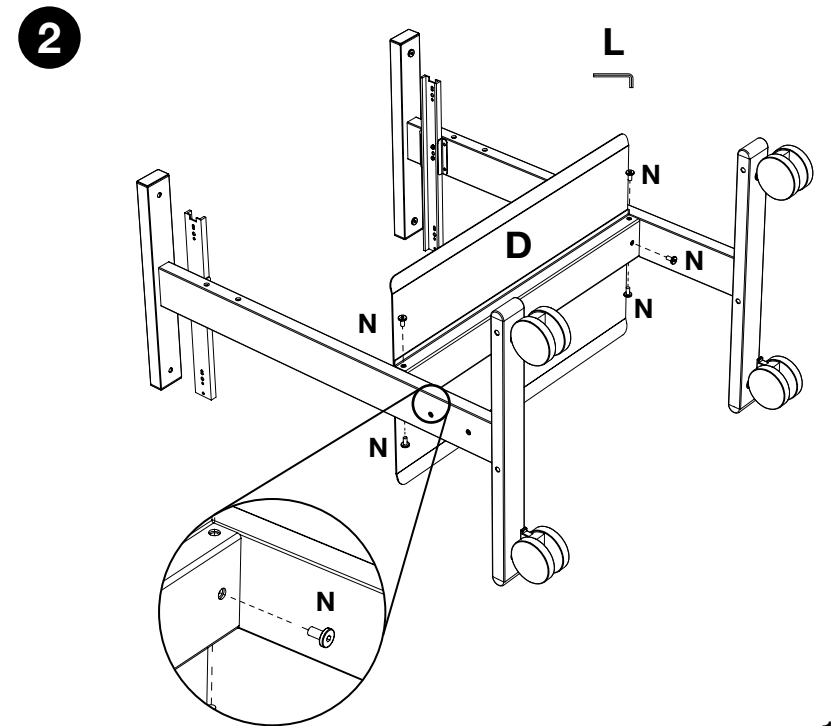
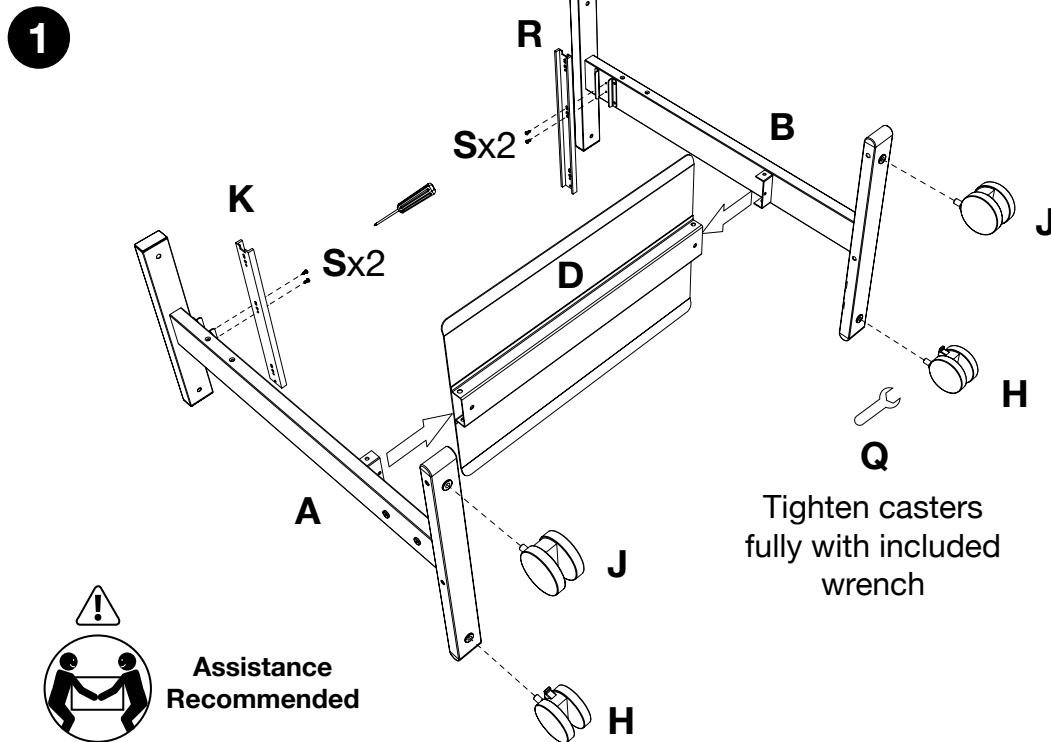
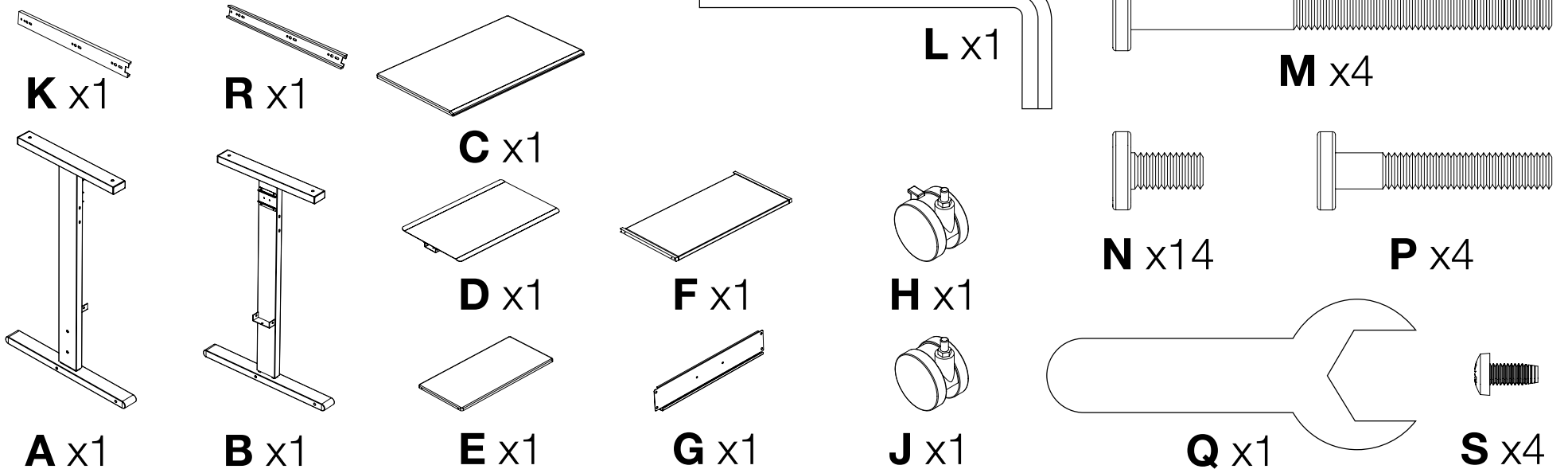


Adjustable Height Workstation Instructions

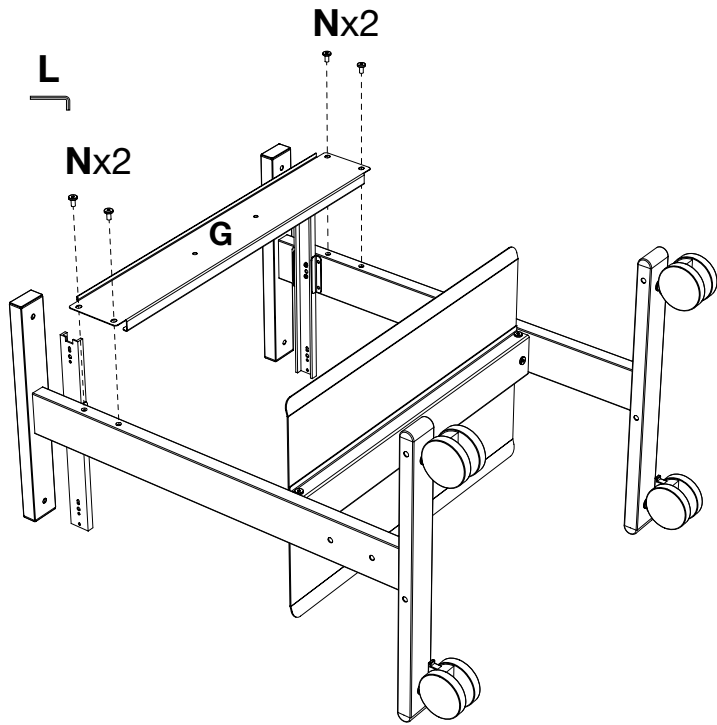
Parts List

Tools Required: Phillips Screwdriver

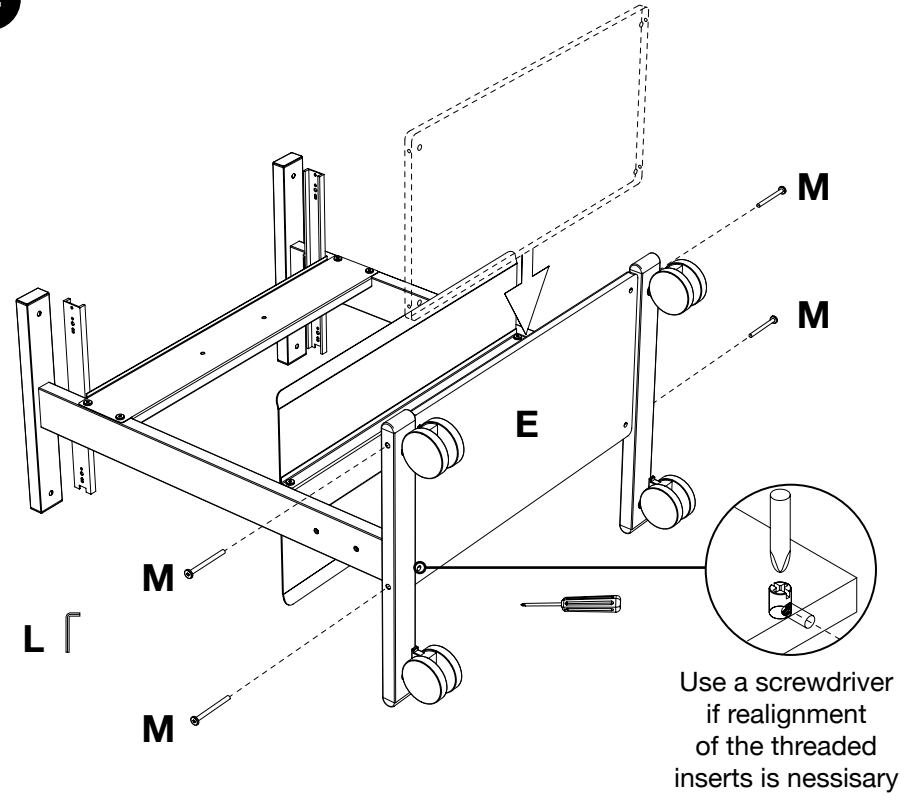
01/06/15



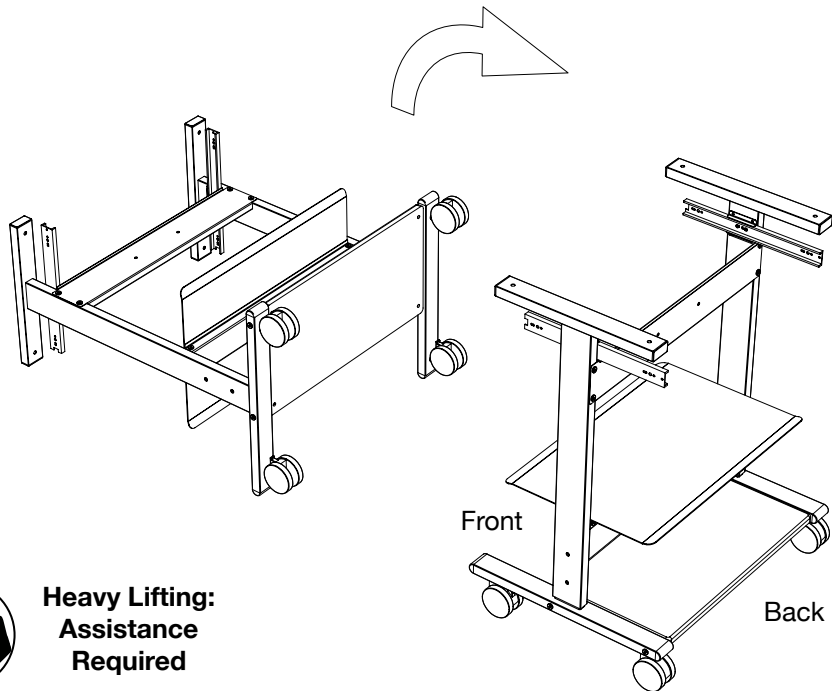
3



4

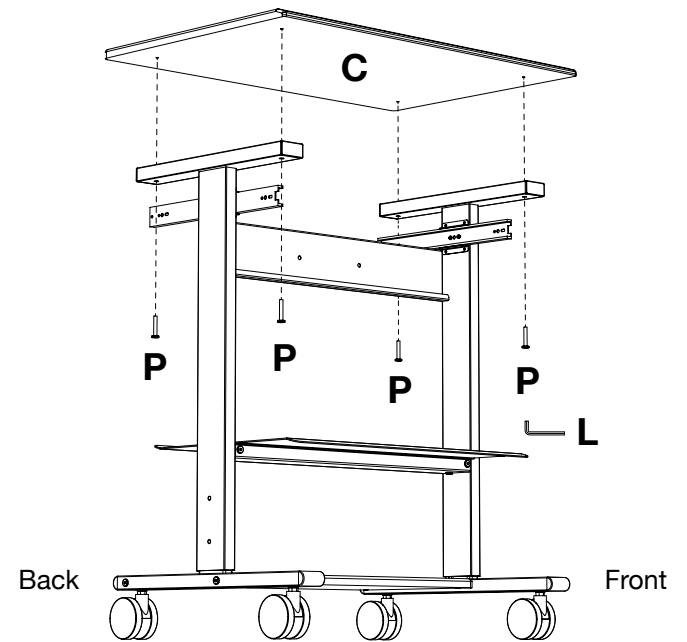


5

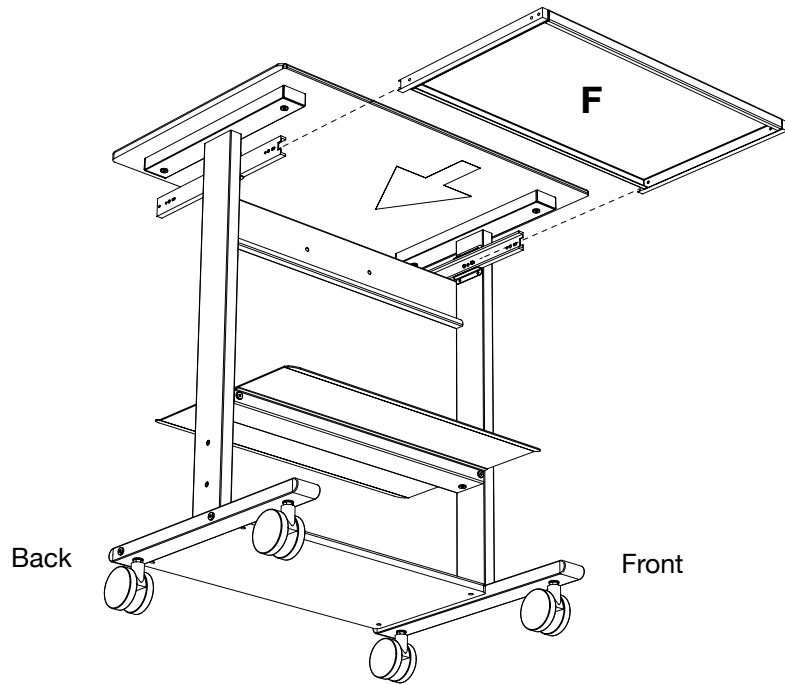


**Heavy Lifting:
Assistance
Required**

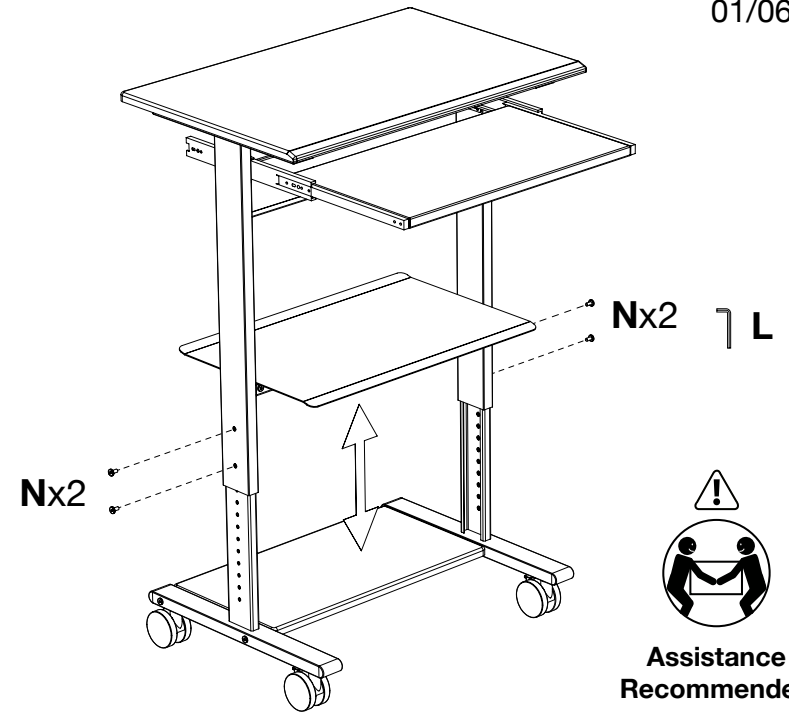
6



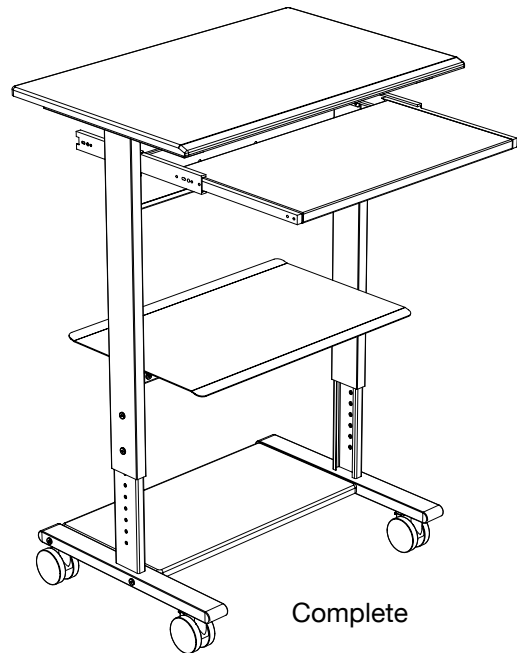
7



8



9



Keyboard Shelf Height		Top Shelf Height
41 ³ / ₄ "	○ 1	45 ³ / ₈ "
40 ³ / ₄ "	○ 2	44 ³ / ₈ "
39 ³ / ₄ "	○ 3	43 ³ / ₈ "
38 ³ / ₄ "	○ 4	42 ³ / ₈ "
37 ³ / ₄ "	○ 5	41 ³ / ₈ "
36 ³ / ₄ "	○ 6	40 ³ / ₈ "
35 ³ / ₄ "	○ 7	39 ³ / ₈ "
34 ³ / ₄ "	○ 8	38 ³ / ₈ "
33 ³ / ₄ "	○ 9	37 ³ / ₈ "
32 ³ / ₄ "	○ 10	36 ³ / ₈ "
31 ³ / ₄ "	○ 11	35 ³ / ₈ "
30 ³ / ₄ "	⊙ 12	34 ³ / ₈ "
	○ 13	
	○ 14	
	⊙ 15	

Bolt Locations