
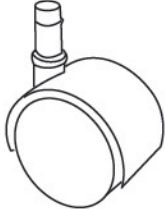
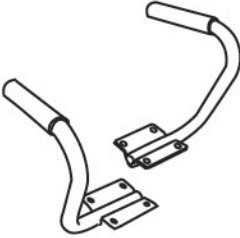


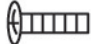
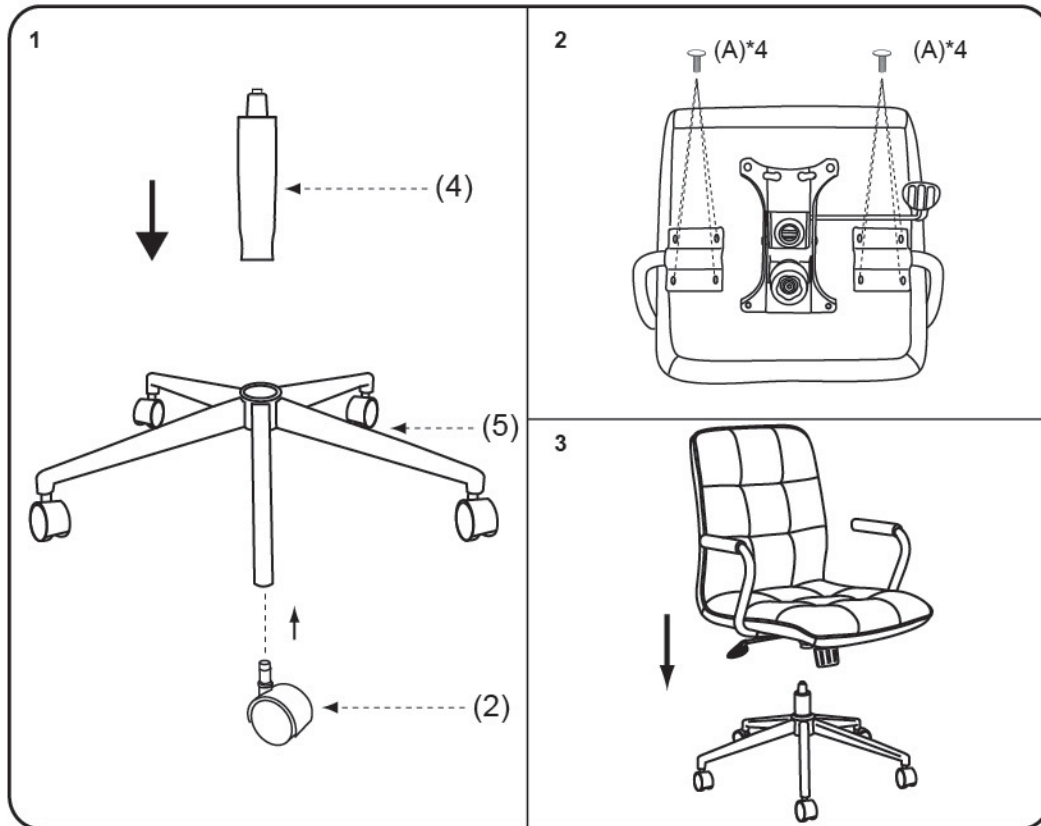


**IMPORTANT NOTICE:
HARDWARE PACKAGE IS ATTACHED
ON THE BOTTOM OF SEAT CUSHION.**

MODEL : B330 B331

(1)x1		(2)x5	
			
(3)x1 (L)x1 (R)	(4)x1	(5)x1	
			
(A)x8  M6*22 ARM SCREW			



Insert and loosely tighten all screws. When assembly is completed, fully tighten all screws before using. This chair is only intended for sitting. Any other use will void the warranty.