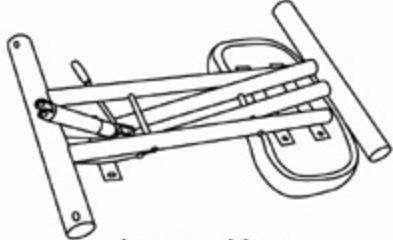
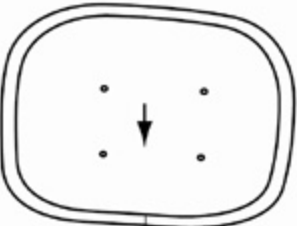




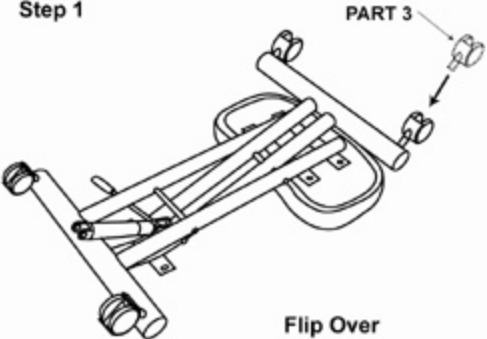
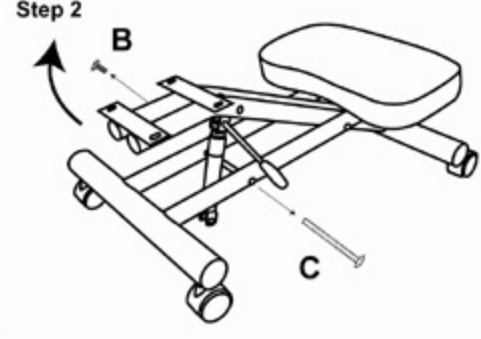
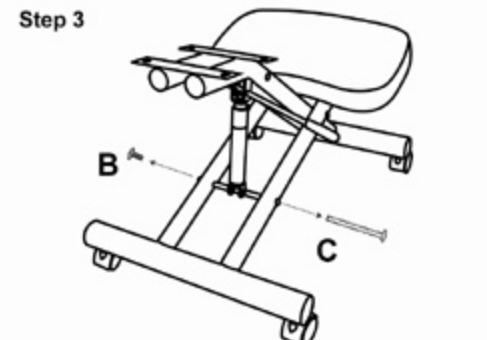
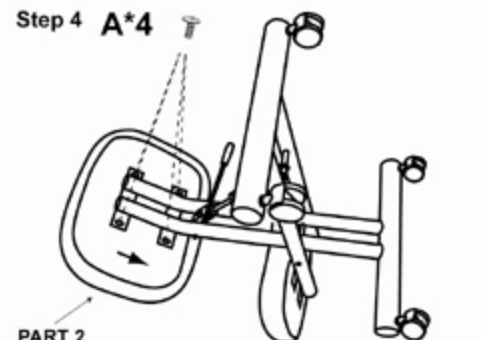


# MODEL : B248

**Please unscrew all hardware from seat cushion before assembly.**  
**Por favor de destornillar todos los tornillos del cojín antes de ensamblar la silla.**

(1)x 1	
 <p>knee cushion</p>	
(2)x 1	(3)x 4
 <p>seat cushion</p>	 <p>caster</p>
<p><b>(A)*4</b></p>  <p>M6*18 Seat Cushion Screws (found in seat)</p> <p><b>(B)*1</b></p>  <p>M6*16 Frame Screws</p> <p><b>(C)*1</b></p>  <p>Long Frame screw ( B &amp; C found in frame Remove before Step 3 )</p>	

<p>Step 1</p>  <p>Flip Over</p>	<p>Step 2</p> 
<p>Step 3</p> 	<p>Step 4</p> 

Insert and loosely tighten all screws. When assembly is completed, fully tighten all screws before using. This chair is only intended for sitting. Any other use will void the warranty.



**Customer Service Hotline: 1-800-593-1888**  
**For further assembly instructions,**  
**please visit our website at [www.boschair.com](http://www.boschair.com)**