
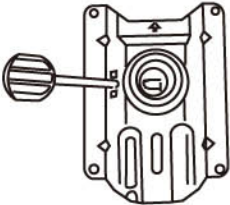
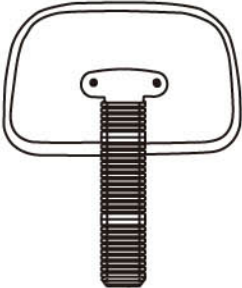
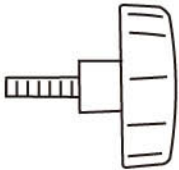
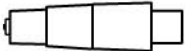


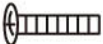
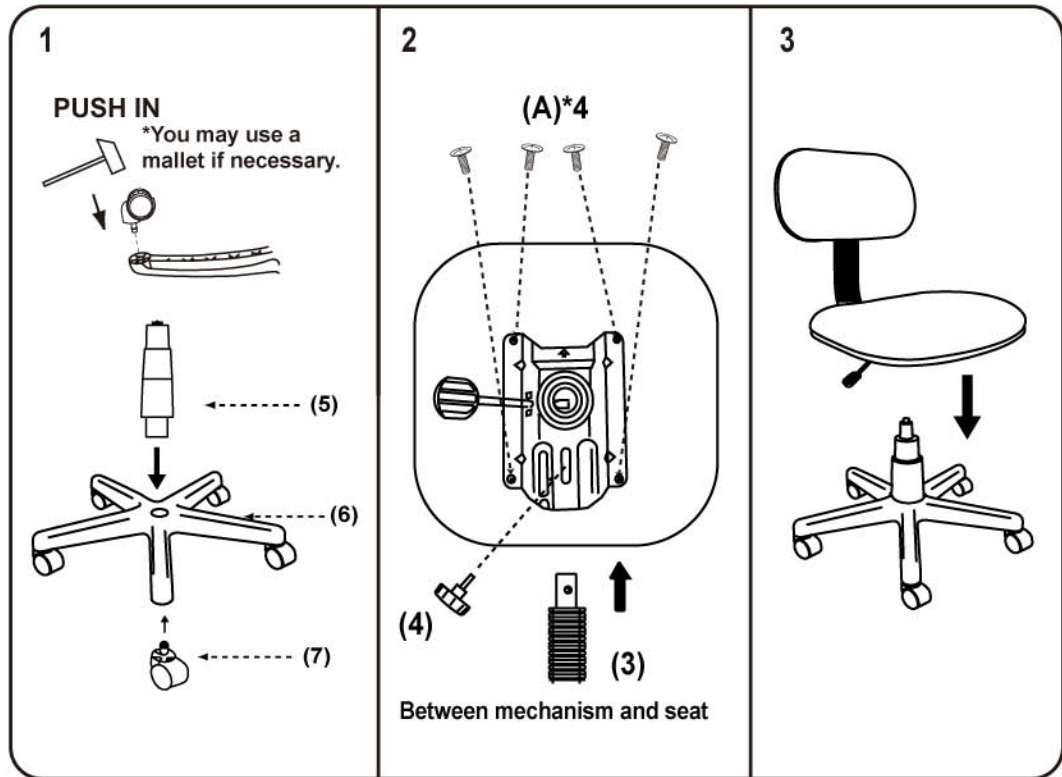


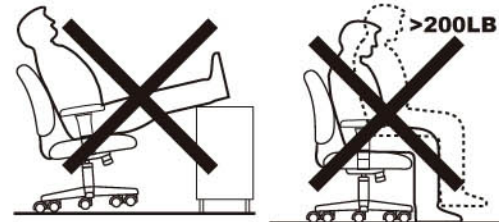
**Please unscrew all hardware from cushion before assembly.**  
**Por favor de destornillar todos los tornillos del cojín antes de ensamblar la silla.**

**B205**

(1)x1  Seat Cushion	(2)x1  TU001-305/Mechanism	(3)x1  Back Cushion W/ Back Support & Bellow
(4)x1  TU305-Knob /Knob	(5)x1  TU012 / Gas Lift	(6)x1  TU005-205 - Nylon Base
(7)x1  TU015 Casters	(A)x4  M8X22 Mechanism Screws	



Insert and loosely tighten all screws. When assembly is completed, fully tighten all screws before using. This chair is only intended for sitting. Any other use will void the warranty.



**Customer Service Hotline: 1-800-593-1888**  
**For further assembly instructions,**  
**please visit our website at [www.bosschair.com](http://www.bosschair.com)**

